

BURNHAM®

Commercial Boilers

LEGEND CONNECTIONS

- A = 8" FLANGED SUPPLY (150#)
- B = 4" RETURN
- C = 3" x 4" HANDHOLE
- D = 1" WATER COLUMN
- E = 3/4" AQUASTAT
- F = 1-1/2" SURFACE BLOWOFF/WASHOUT
- G = 1/2" TEMPERATURE GAUGE
- H = 1-1/2" SAFETY/RELIEF VALVE
- J = 1" AUXILIARY CONNECTION
- K = 14" NOMINAL FLUE DIAMETER

RATINGS AND DATA

Shell Diameter : 47 1/2"

Heating Surface - Sq. Ft.
 Fireside - 360
 Waterside - 398

Firetubes
 Number - 110
 Diameter - 2" O.D.

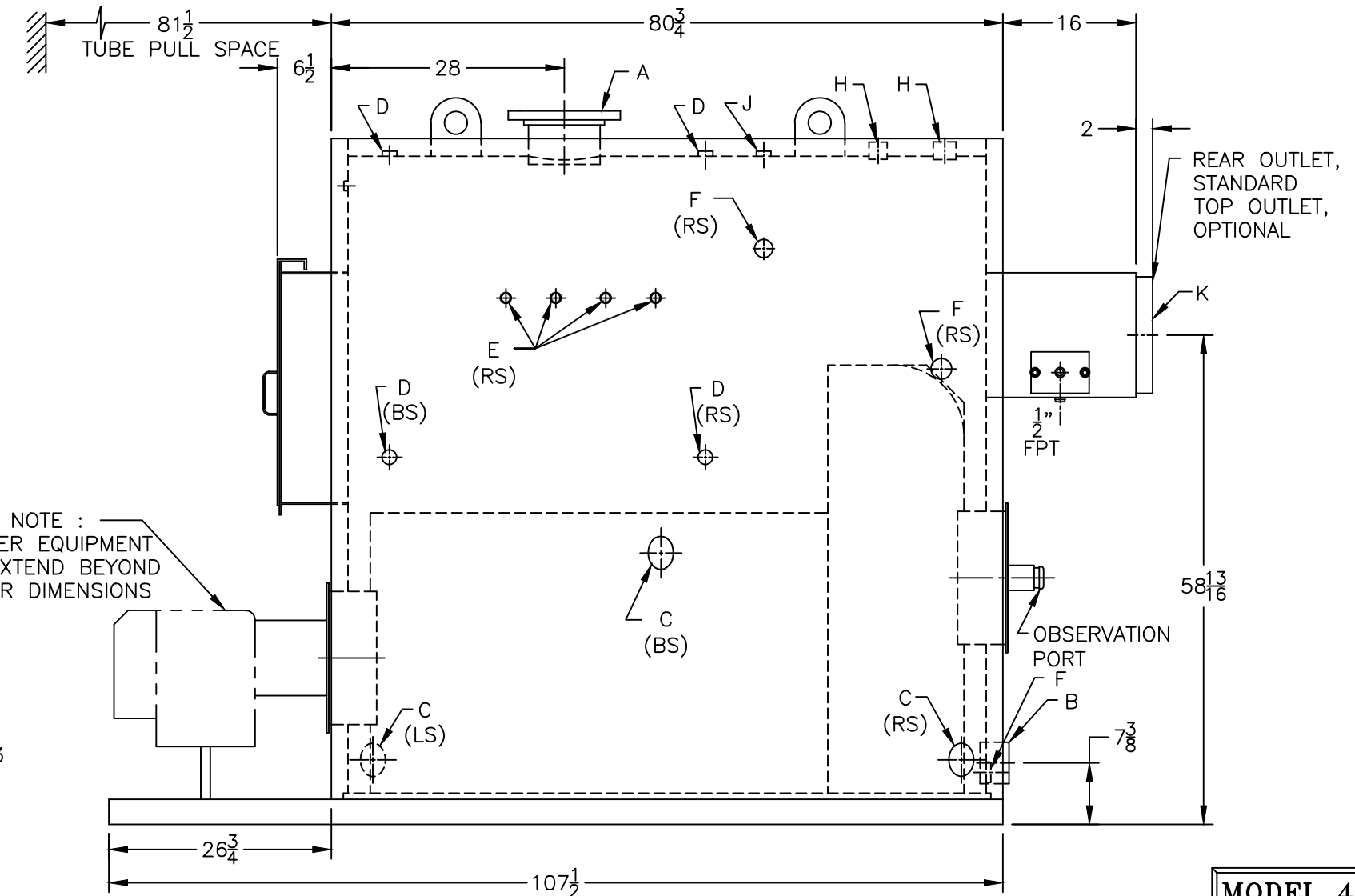
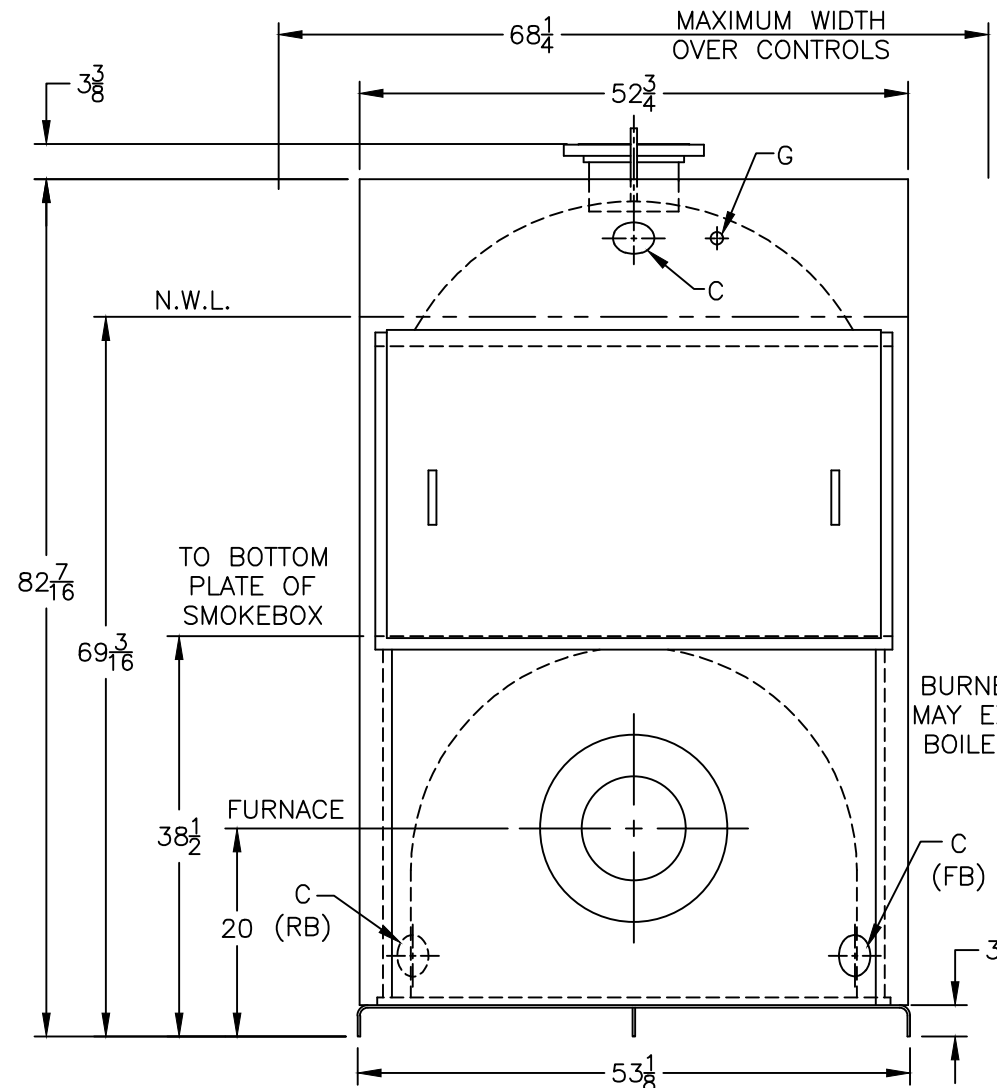
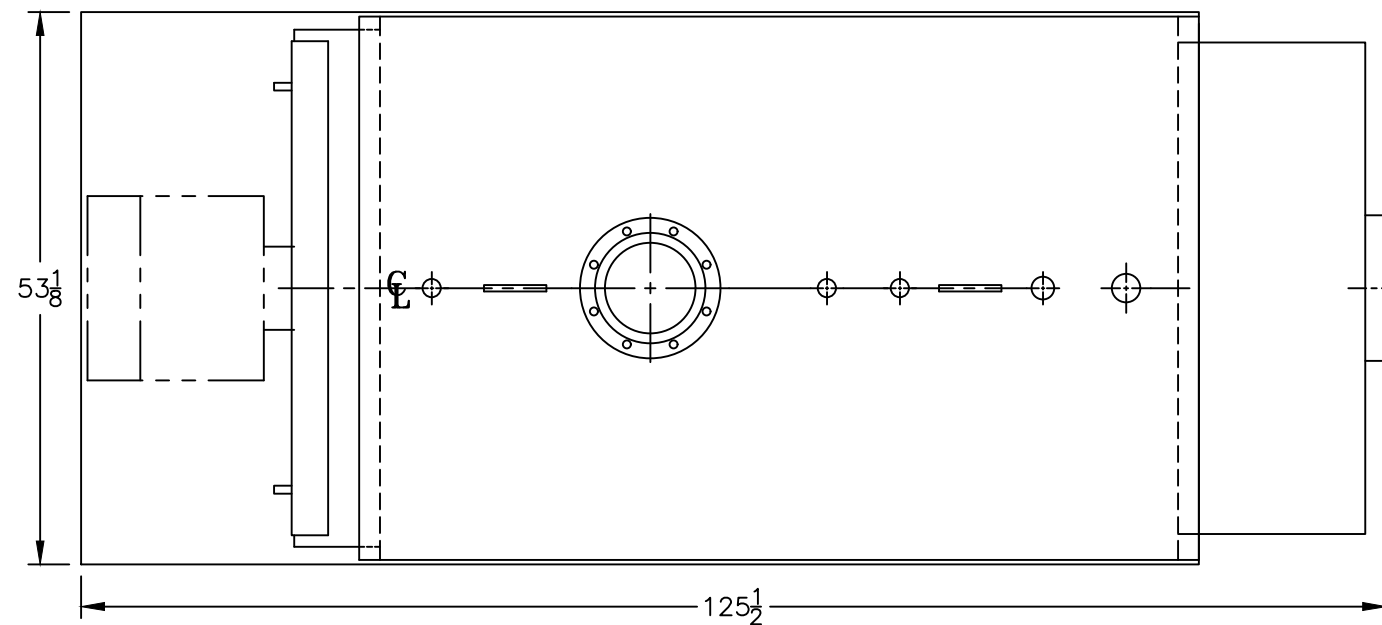
Furnace
 Volume (Cubic Feet) - 58.9

Water Content
 Steam - 470 Gal. (U.S.)
 Water - 569 Gal. (U.S.)

Approximate Weight (Lb.)
 Dry - 6900
 Wet (Steam) - 10800
 Wet (Water) - 11645

LEGEND

- BS = BOTH SIDES
- RS = RIGHT SIDE
- LS = LEFT SIDE
- FB = FRONT OF BOILER
- RB = REAR OF BOILER



MODEL 4FH-360A

SPECIFICATIONS SUBJECT TO CHANGE WITHOUT NOTICE ALL CONNECTIONS ARE THREADED UNLESS OTHERWISE SPECIFIED

THIS DOCUMENT CONTAINS CONFIDENTIAL INFORMATION WHICH IS THE PROPERTY OF BURNHAM COMMERCIAL. THIS DOCUMENT MAY NOT BE REPRODUCED, TRANSFERRED OR USED, OR ITS CONTENTS DISCLOSED, WITHOUT THE WRITTEN PERMISSION OF THE OWNER.

2/12/19 TS-3-13-2