

# BURNHAM®

## Commercial Boilers

### RATINGS AND DATA

Shell Diameter : 47 $\frac{1}{2}$ "

---

Heating Surface - Sq. Ft.  
 Fireside - 450  
 Waterside - 497

Firetubes  
 Number - 110  
 Diameter - 2" O.D.

---

Furnace  
 Volume (Cubic Feet) - 68.0

---

Water Content  
 Steam - 537 Gal. (U.S.)  
 Water - 666 Gal. (U.S.)

---

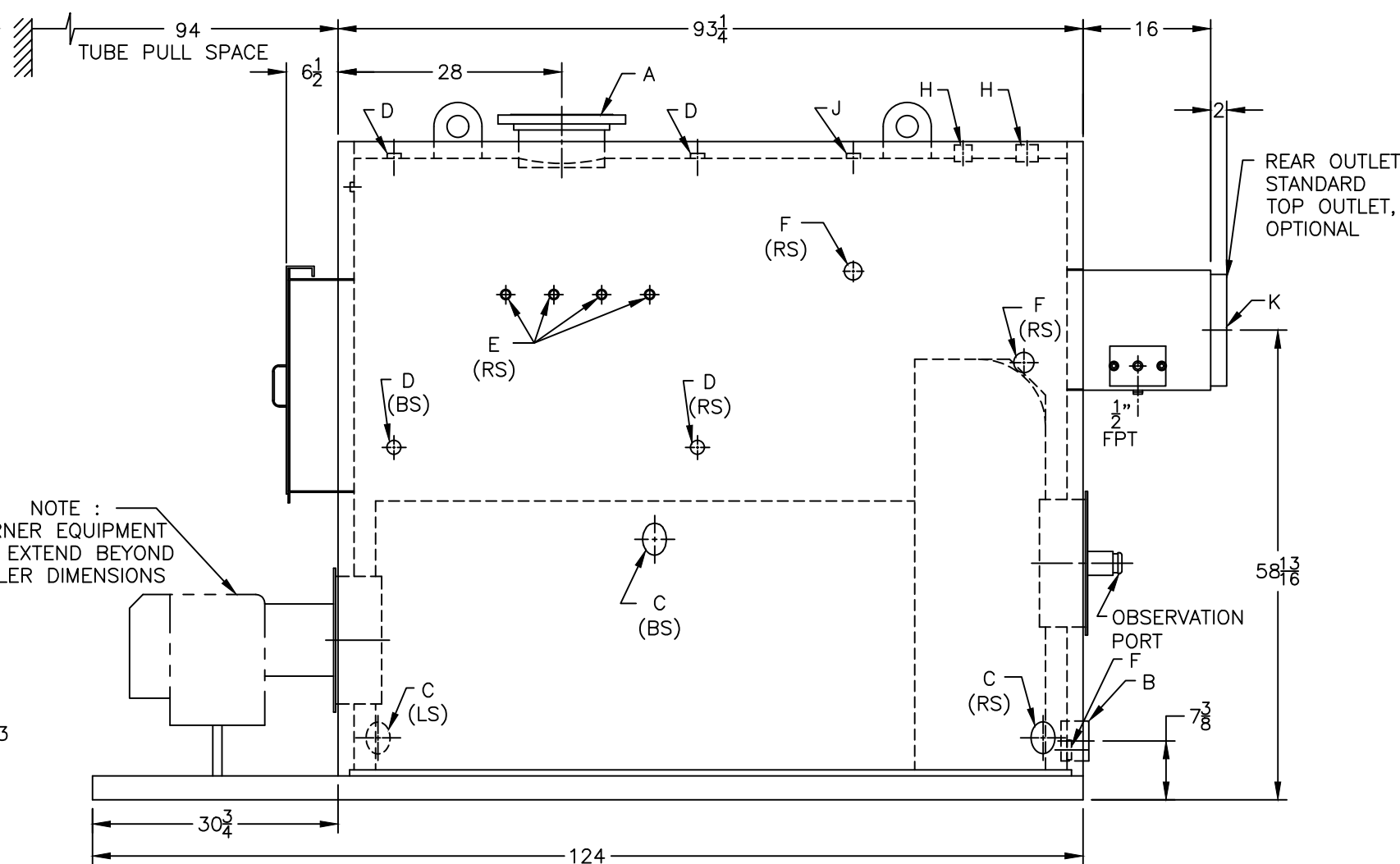
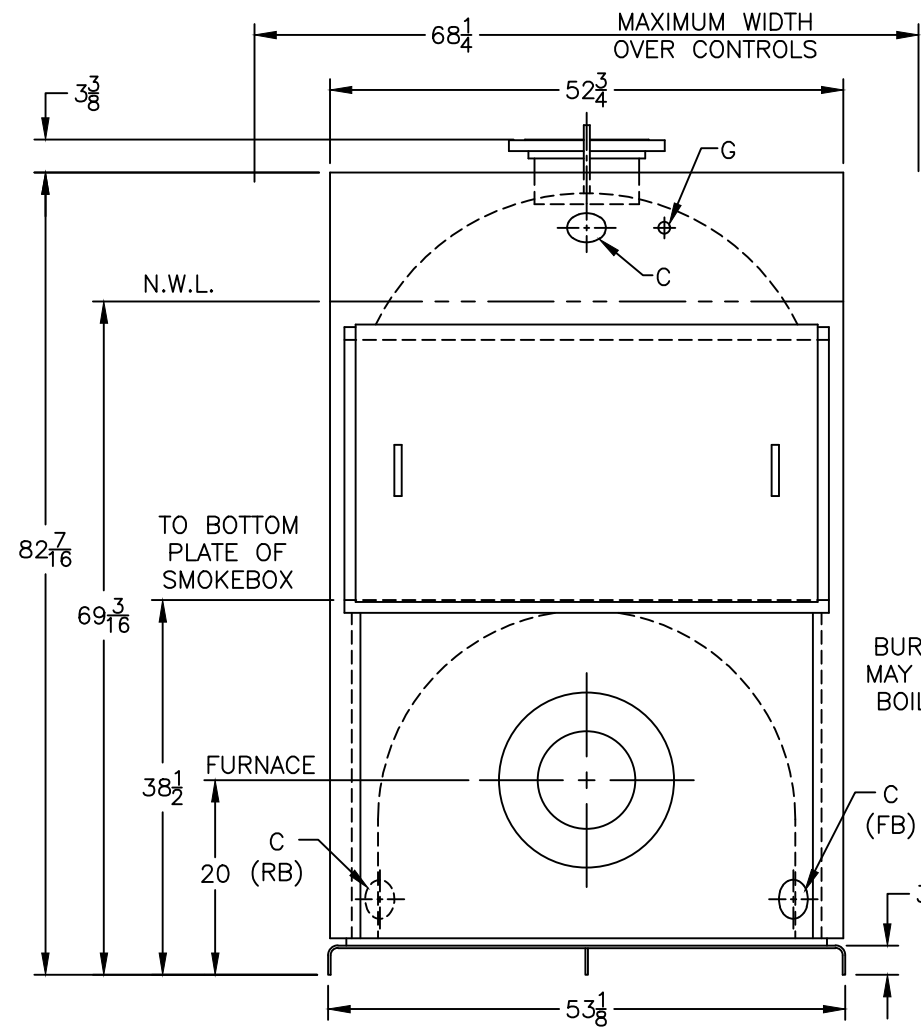
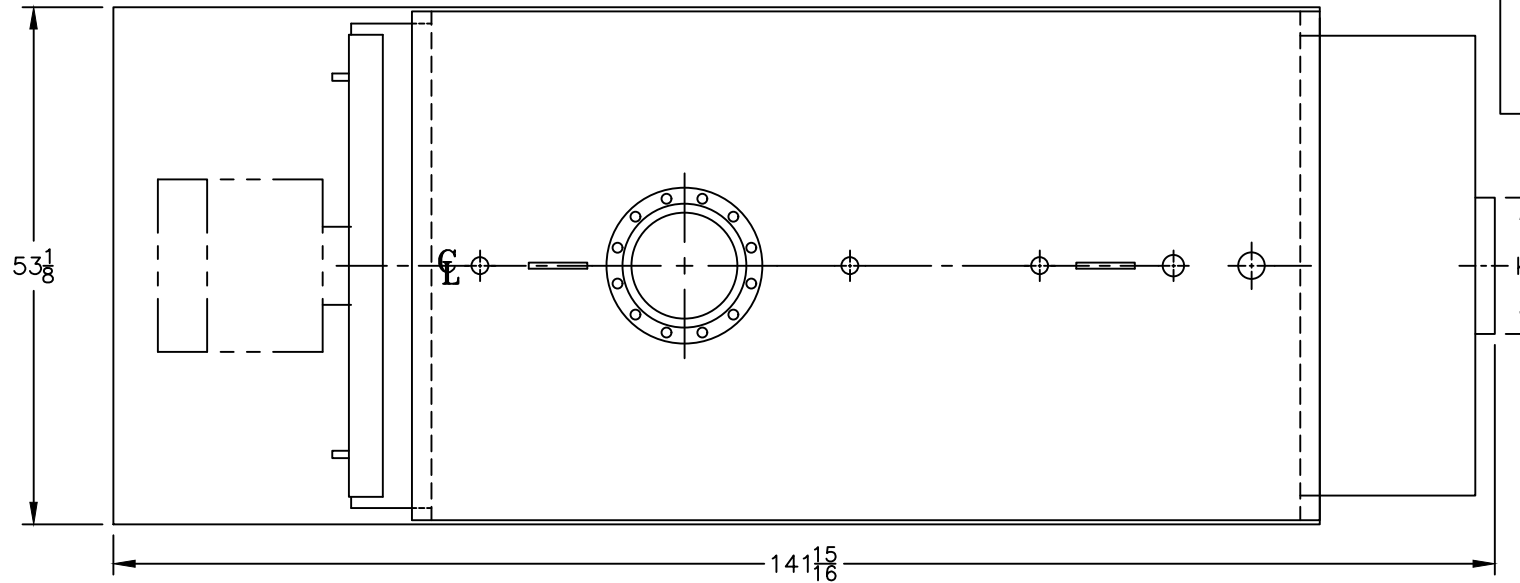
Approximate Weight (Lb.)  
 Dry - 8700  
 Wet (Steam) - 13180  
 Wet (Water) - 14255

### LEGEND CONNECTIONS

A = 10" FLANGED SUPPLY (150#)  
 B = 4" RETURN  
 C = 3" x 4" HANDHOLE  
 D = 1" WATER COLUMN  
 E = 3/4" AQUASTAT  
 F = 1-1/2" SURFACE BLOWOFF/  
 WASHOUT  
 G = 1/2" TEMPERATURE GAUGE  
 H = 1-1/2" SAFETY/RELIEF VALVE  
 2" SAFETY/RELIEF VALVE  
 J = 1" AUXILIARY CONNECTION  
 K = 14" NOMINAL FLUE DIAMETER

### LEGEND

BS = BOTH SIDES  
 RS = RIGHT SIDE  
 LS = LEFT SIDE  
 FB = FRONT OF BOILER  
 RB = REAR OF BOILER



SPECIFICATIONS SUBJECT TO CHANGE WITHOUT NOTICE ALL CONNECTIONS ARE THREADED UNLESS OTHERWISE SPECIFIED  
 THIS DOCUMENT CONTAINS CONFIDENTIAL INFORMATION WHICH IS THE PROPERTY OF BURNHAM COMMERCIAL. THIS DOCUMENT MAY NOT BE REPRODUCED, TRANSFERRED OR USED, OR ITS CONTENTS DISCLOSED, WITHOUT THE WRITTEN PERMISSION OF THE OWNER.

**MODEL 4FH-450A**