

# BURNHAM®

## Commercial Boilers

### RATINGS AND DATA

Shell Diameter :  $27\frac{3}{4}$ "

Heating Surface - Sq. Ft.  
 Fireside - 86  
 Waterside - 92

Firetubes  
 Number - 41  
 Diameter - 2" O.D.

Furnace  
 Volume (Cubic Feet) - 12.6

Water Content  
 Steam - 90 Gal. (U.S.)  
 Water - 127 Gal. (U.S.)

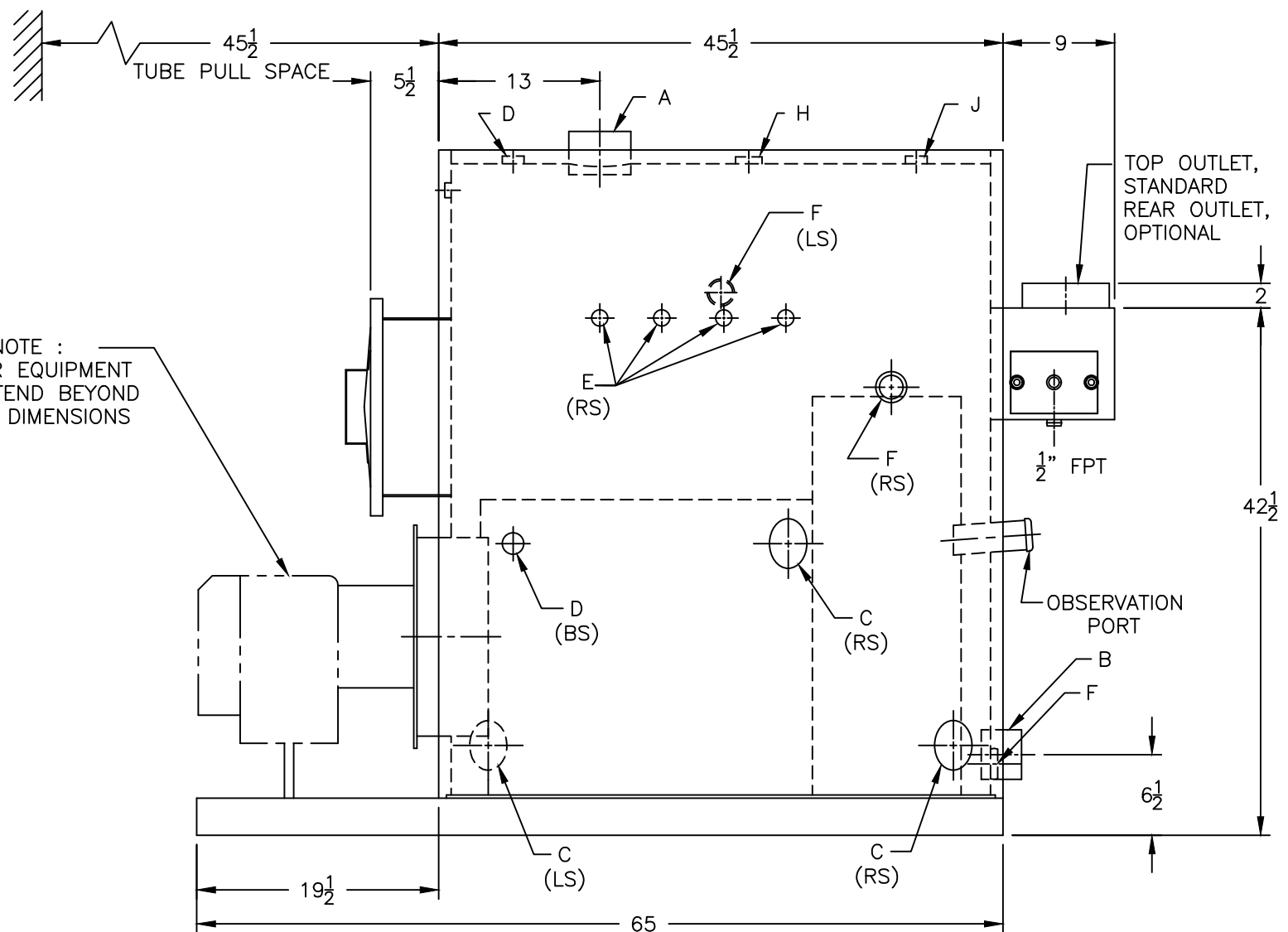
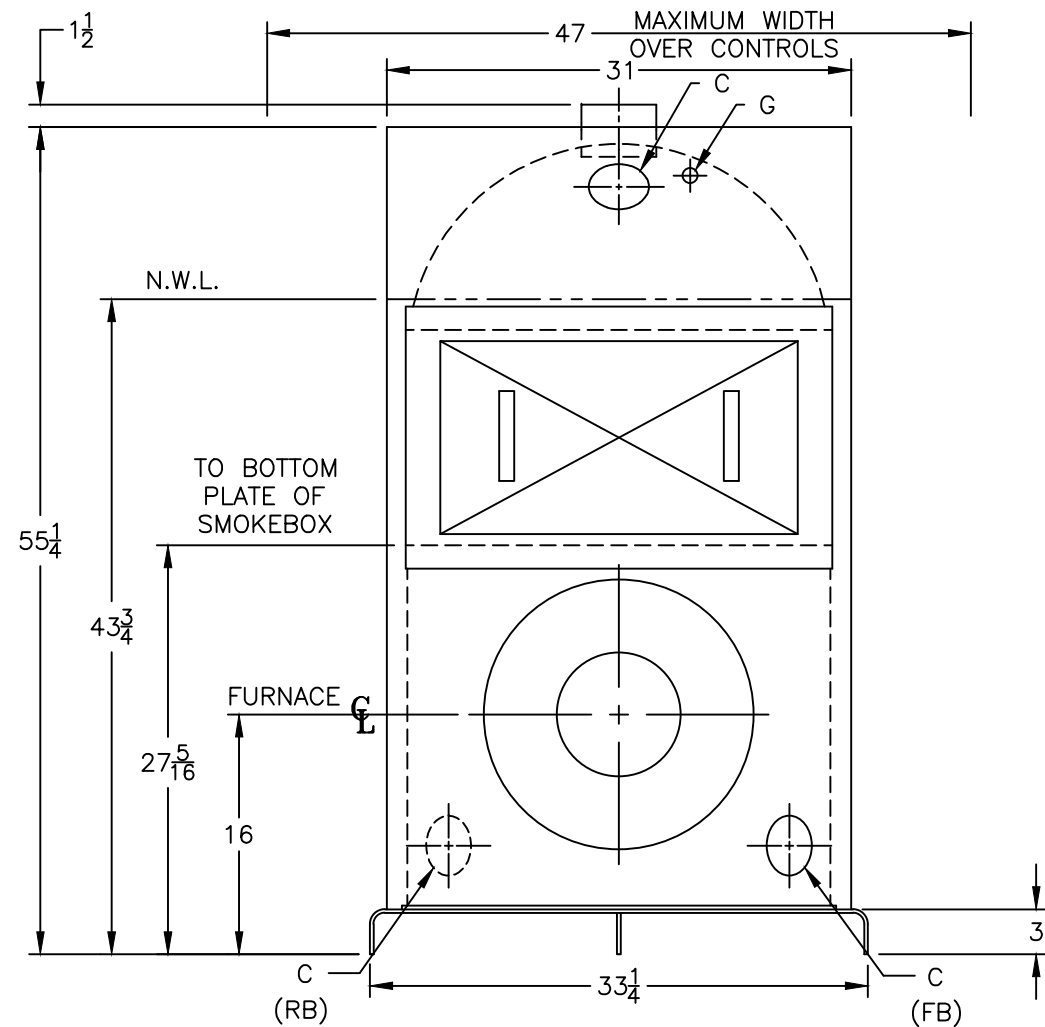
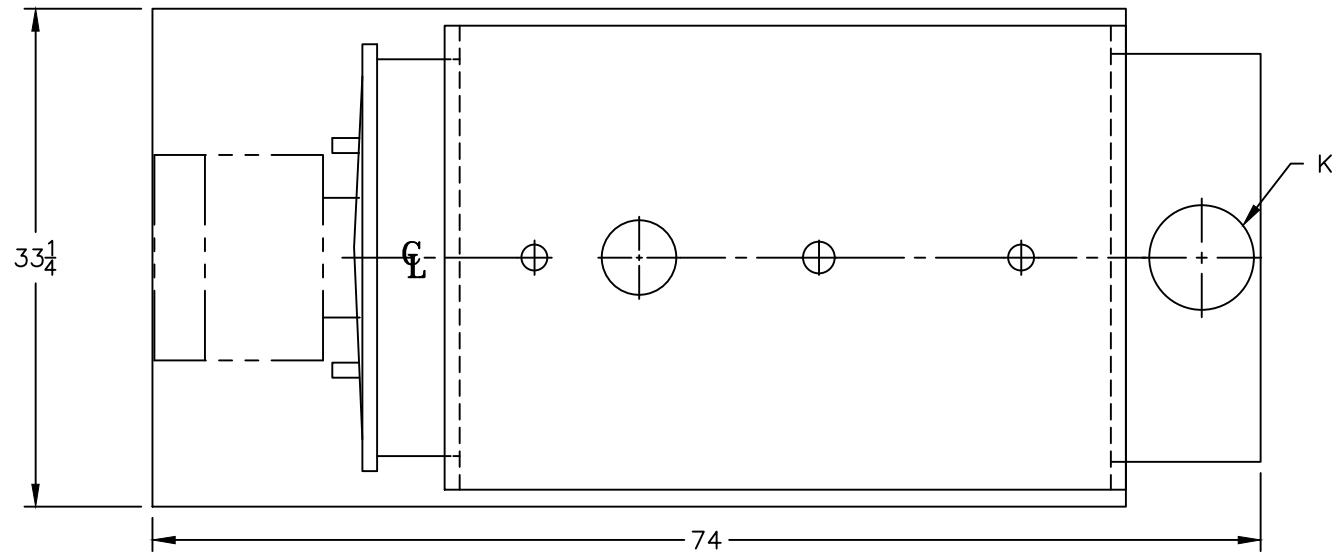
Approximate Weight (Lb.)  
 Dry - 2100  
 Wet (Steam) - 2845  
 Wet (Water) - 3160

### LEGEND

BS = BOTH SIDES  
 RS = RIGHT SIDE  
 LS = LEFT SIDE  
 FB = FRONT OF BOILER  
 RB = REAR OF BOILER

### LEGEND CONNECTIONS

A = 4" SUPPLY  
 B = 3" RETURN  
 C = 3" x 4" HANDHOLE  
 D = 1" WATER COLUMN  
 E = 3/4" AQUASTAT  
 F = 1-1/2" SURFACE BLOWOFF/  
 WASHOUT  
 G = 1/2" TEMPERATURE GAUGE  
 H = 1-1/4" SAFETY/RELIEF VALVE  
 J = 1" AUXILIARY CONNECTION  
 K = 7" NOMINAL FLUE DIAMETER



NOTE :  
 BURNER EQUIPMENT  
 MAY EXTEND BEYOND  
 BOILER DIMENSIONS

SPECIFICATIONS SUBJECT TO CHANGE WITHOUT NOTICE ALL CONNECTIONS ARE THREADED UNLESS OTHERWISE SPECIFIED  
 THIS DOCUMENT CONTAINS CONFIDENTIAL INFORMATION WHICH IS THE PROPERTY OF BURNHAM COMMERCIAL. THIS DOCUMENT MAY NOT BE REPRODUCED, TRANSFERRED OR USED, OR ITS CONTENTS DISCLOSED, WITHOUT THE WRITTEN PERMISSION OF THE OWNER.

**MODEL 4FH-92A**