

# BURNHAM®

## Commercial Boilers

### RATINGS AND DATA

Shell Diameter : 62"  
 Gross Output - BHP : 104.7  
 Gross Output - MBH : 3506  
 Gross Output - Lbs/Hr : 3614  
 Net Rating - MBH : 2722  
 Net Rating - Sq. Ft. : 11342  
 Safety Valve - Lbs/Hr. : 4000

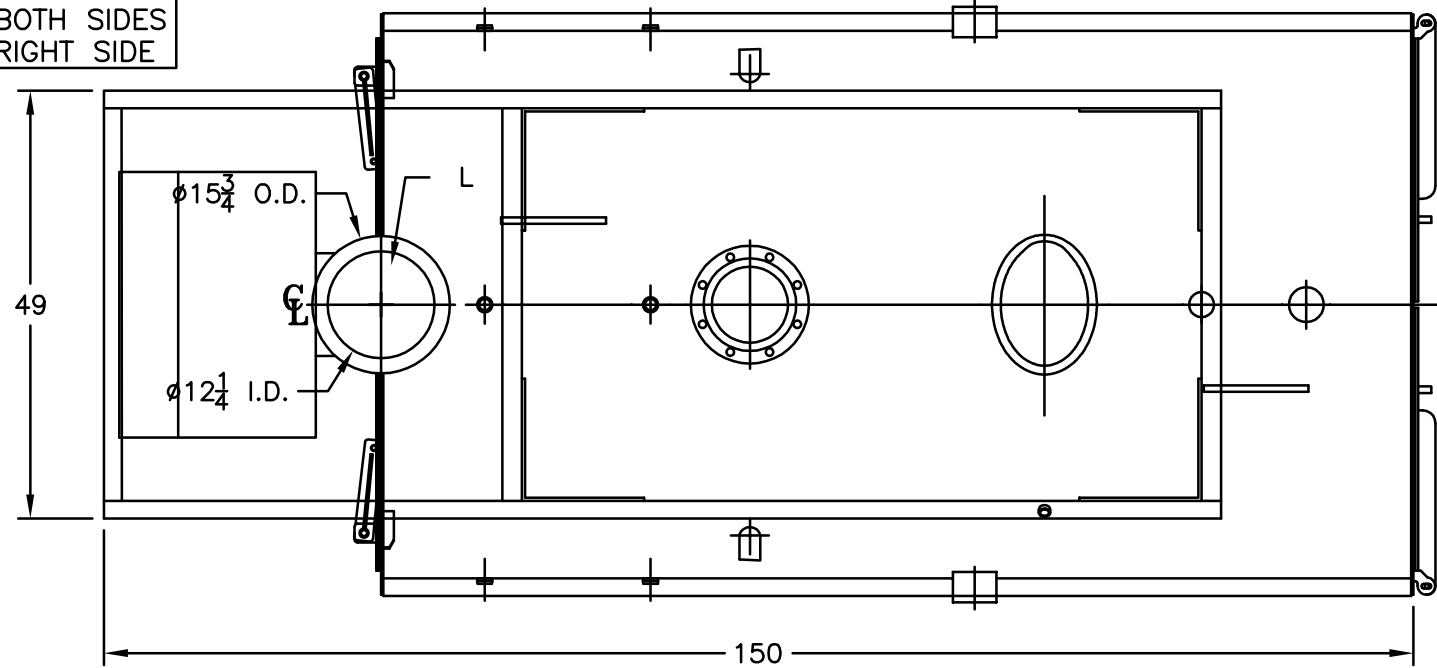
Heating Surface - Sq. Ft.  
 Fireside - 500  
 Firetubes  
 Number - 86  
 Diameter - 2.5" O.D.

Firing Rate  
 1000 BTU Gas (MBH) - 4184  
 140000 BTU/Gal Oil (GPH) - 28.8  
 150000 BTU/Gal Oil (GPH) - 26.9

Water Content  
 Pounds - 6117  
 Gallons (U.S.) - 733  
 Approximate Weight/LBS.  
 Dry - 8327  
 Wet - 14444

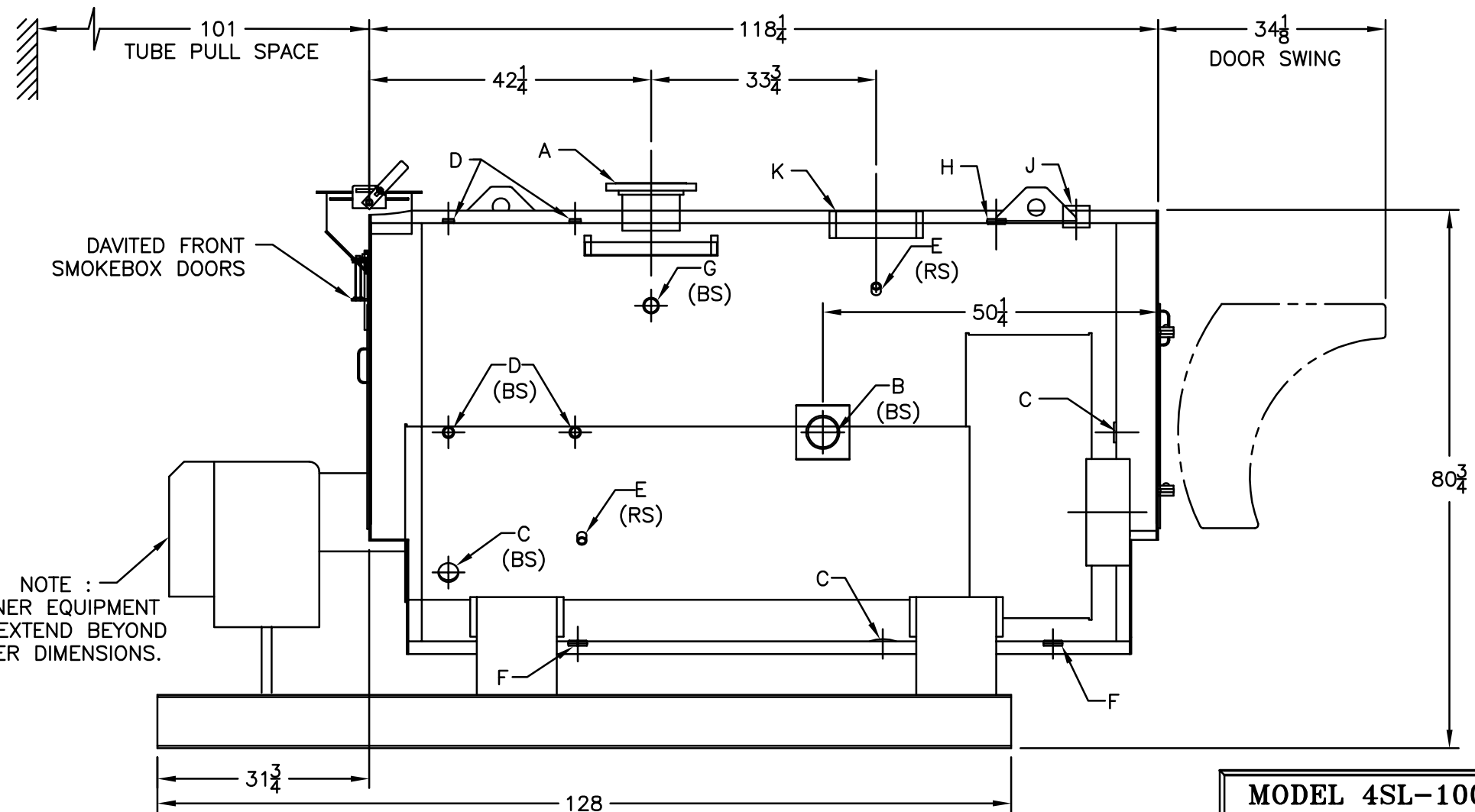
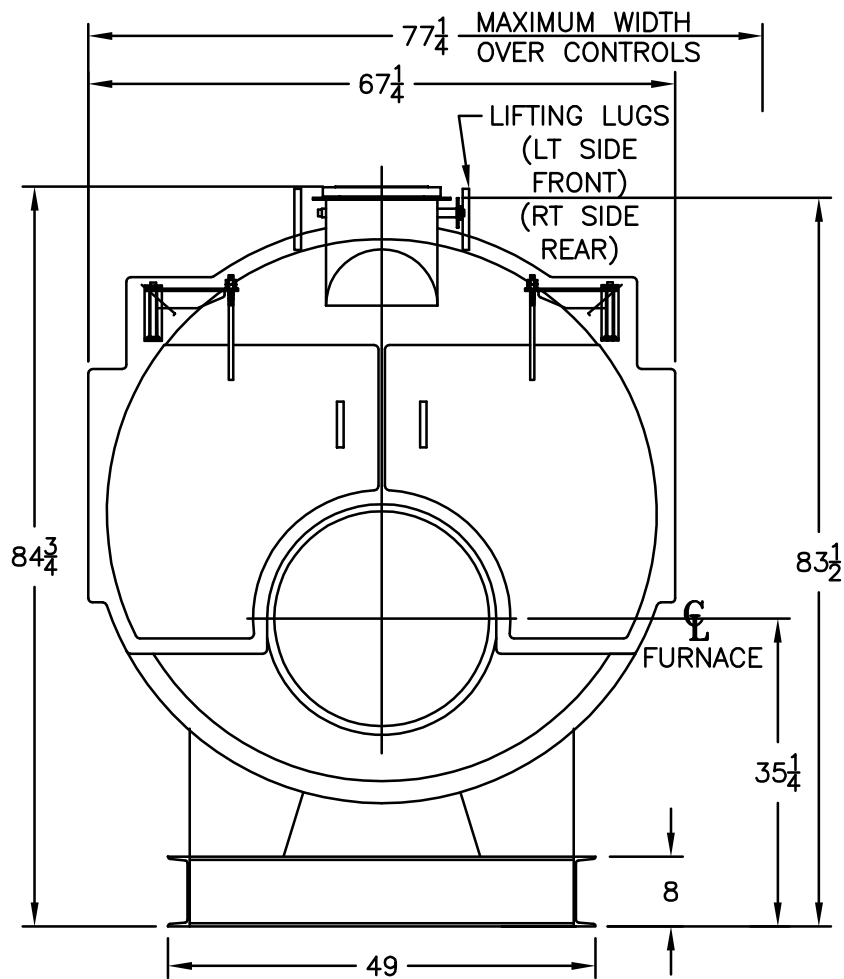
### LEGEND

BS = BOTH SIDES  
 RS = RIGHT SIDE



### LEGEND CONNECTIONS

- A = 8" FLANGED SUPPLY (150#)
- B = 4" RETURN
- C = 3" x 4" HANDHOLE
- D = 1" WATER COLUMN
- E = 3/4" AQUASTAT
- F = 1-1/2" BOTTOM BLOWDOWN
- G = 1-1/2" SURFACE BLOWOFF
- H = 2" AUXILIARY CONNECTION
- J = 3" SAFETY VALVE
- K = 12" X 16" MANHOLE
- L = 12" NOMINAL FLUE DIAMETER



NOTE :  
 BURNER EQUIPMENT  
 MAY EXTEND BEYOND  
 BOILER DIMENSIONS.

**MODEL 4SL-100**  
**104.7 BHP**  
**15 PSI STEAM**