

BURNHAM®

Commercial Boilers

RATINGS AND DATA

Shell Diameter : 88"
 Gross Output - BHP : 372.3
 Gross Output - MBH : 12463
 Gross Output - Lbs/Hr : 12845
 Net Rating - MBH : 9676
 Net Rating - Sq. Ft. : 40317
 Safety Valve - Lbs/Hr. : 14000

Heating Surface - Sq. Ft.
 Fireside - 1750
 Firetubes
 Number - 200
 Diameter - 2.5" O.D.

Firing Rate
 1000 BTU Gas (MBH) - 14645
 140000 BTU/Gal Oil (GPH) - 101.4
 150000 BTU/Gal Oil (GPH) - 94.6

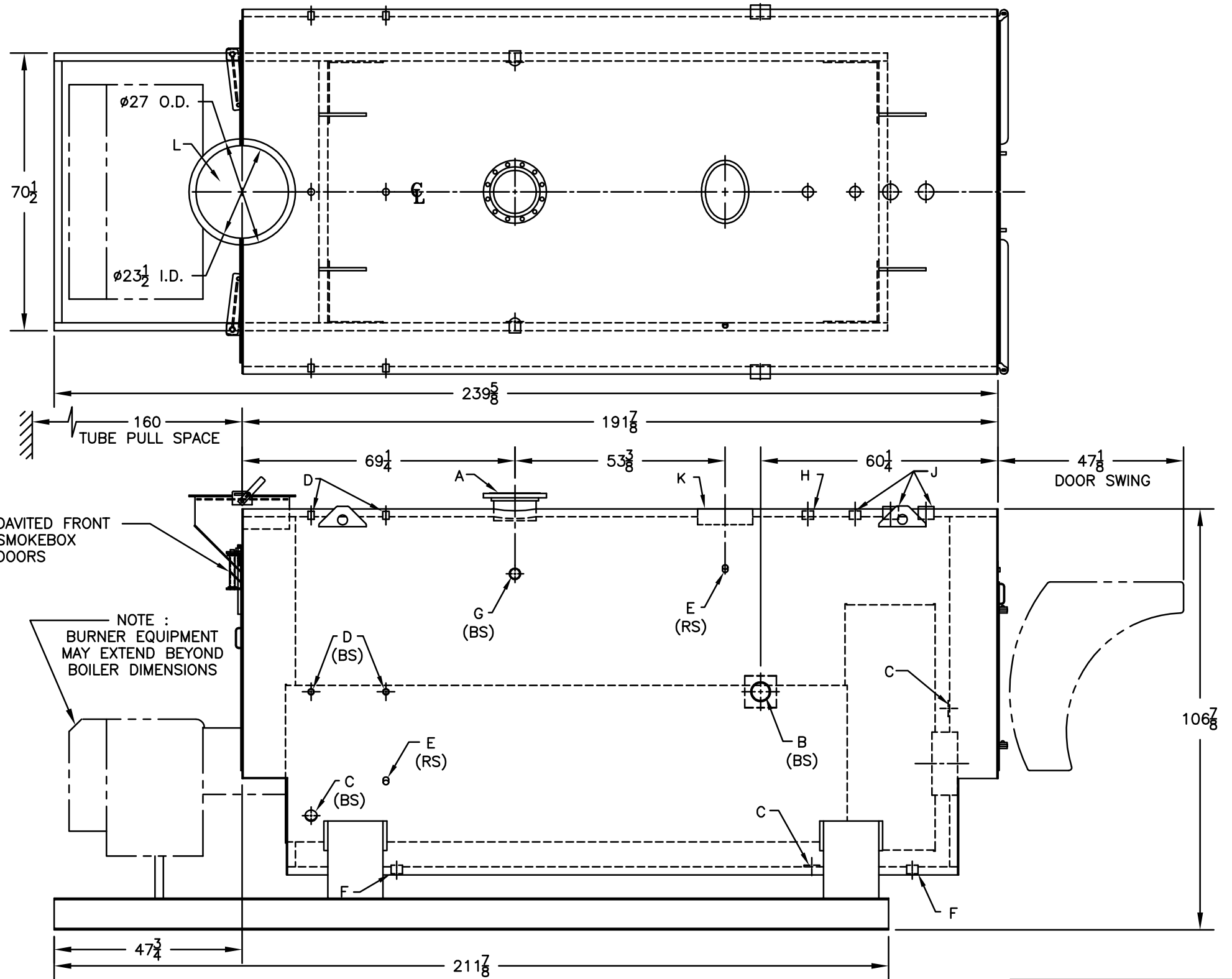
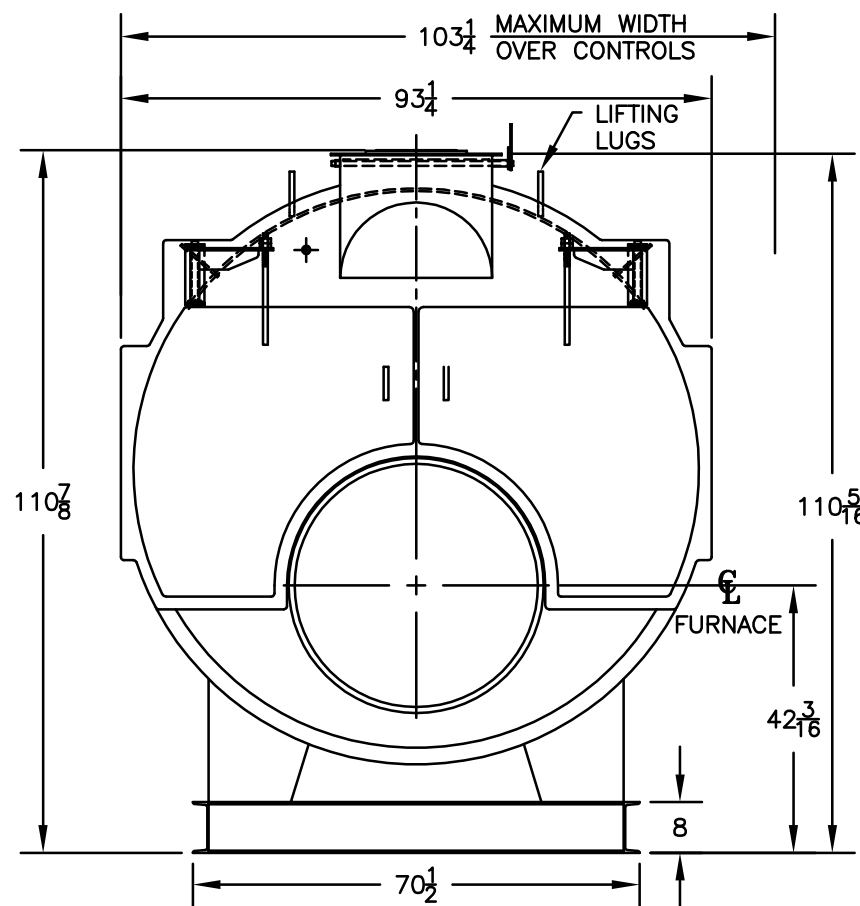
Water Content
 Pounds - 18306
 Gallons (U.S.) - 2194
 Approximate Weight/LBS.
 Dry - 23126
 Wet - 41432

LEGEND CONNECTIONS

- A = 10" FLANGED SUPPLY (150#)
- B = 4" RETURN
- C = 3" x 4" HANDHOLE
- D = 1" WATER COLUMN
- E = 3/4" AQUASTAT
- F = 2" BOTTOM BLOWDOWN
- G = 2" SURFACE BLOWOFF
- H = 2" AUXILIARY CONNECTION
- J = 2" SAFETY VALVE (1)
3" SAFETY VALVE (2)
- K = 12" X 16" MANHOLE
- L = 24" NOMINAL FLUE DIAMETER

LEGEND

BS = BOTH SIDES
 RS = RIGHT SIDE



SPECIFICATIONS SUBJECT TO CHANGE WITHOUT NOTICE ALL CONNECTIONS ARE THREADED UNLESS OTHERWISE SPECIFIED
 THIS DOCUMENT CONTAINS CONFIDENTIAL INFORMATION WHICH IS THE PROPERTY OF BURNHAM COMMERCIAL. THIS DOCUMENT MAY NOT BE REPRODUCED, TRANSFERRED OR USED, OR ITS CONTENTS DISCLOSED, WITHOUT THE WRITTEN PERMISSION OF THE OWNER.

MODEL 4SL-350
372.3 BHP
15 PSI STEAM