

BURNHAM®

Commercial Boilers

LEGEND CONNECTIONS

- A = 12" FLANGED SUPPLY (150#)
- B = 4" RETURN
- C = 3" x 4" HANDHOLE
- D = 1" WATER COLUMN
- E = 3/4" AQUASTAT
- F = 2" BOTTOM BLOWDOWN
- G = 2" SURFACE BLOWOFF
- H = 2" AUXILIARY CONNECTION
- J = 2" SAFETY VALVE (1)
3" SAFETY VALVE (2)
- K = 12" X 16" MANHOLE
- L = 24" NOMINAL FLUE DIAMETER

RATINGS AND DATA

Shell Diameter : 88"
 Gross Output - BHP : 427.5
 Gross Output - MBH : 14311
 Gross Output - Lbs/Hr : 14750
 Net Rating - MBH : 11111
 Net Rating - Sq. Ft. : 46296
 Safety Valve - Lbs/Hr. : 16000

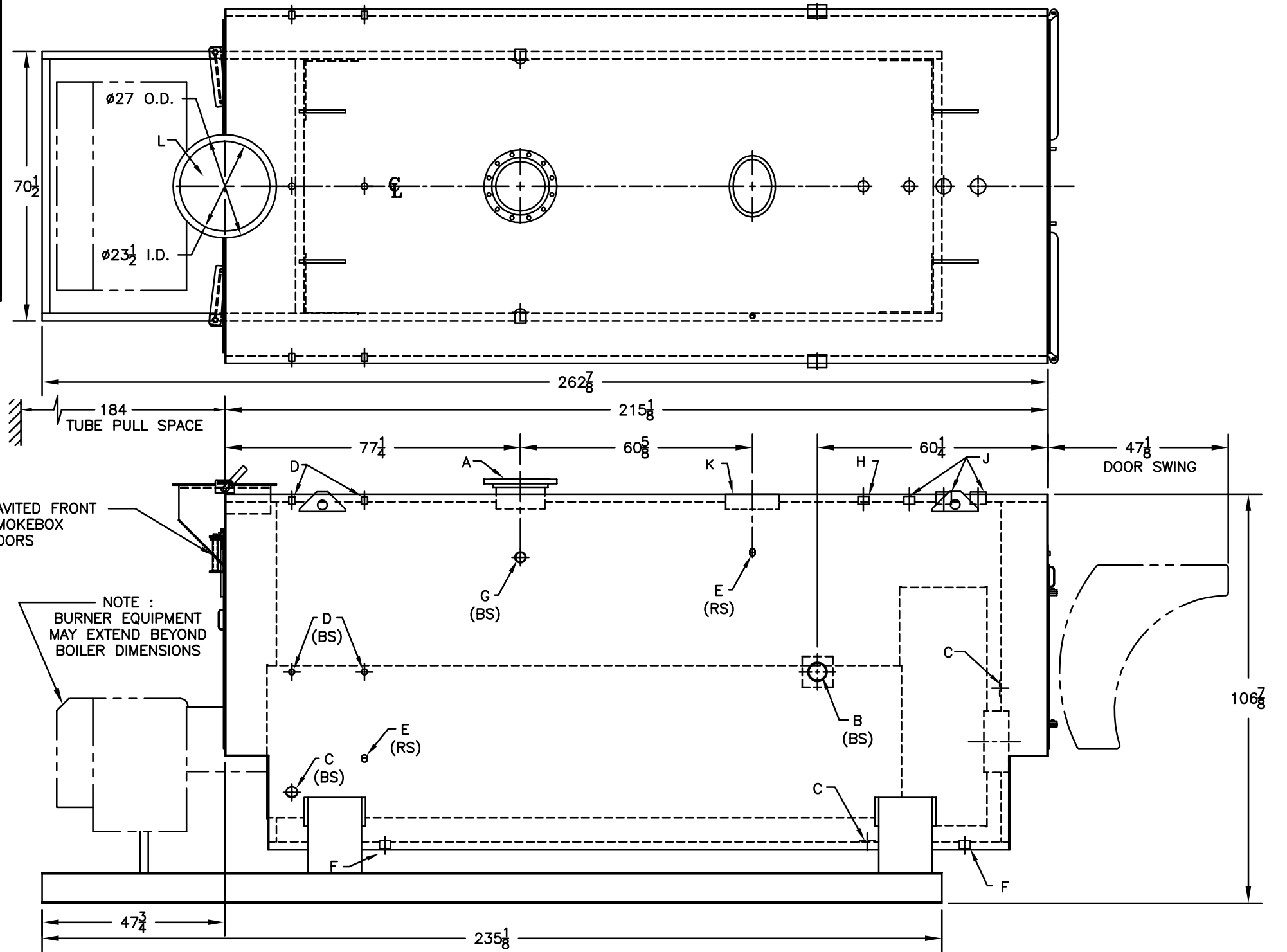
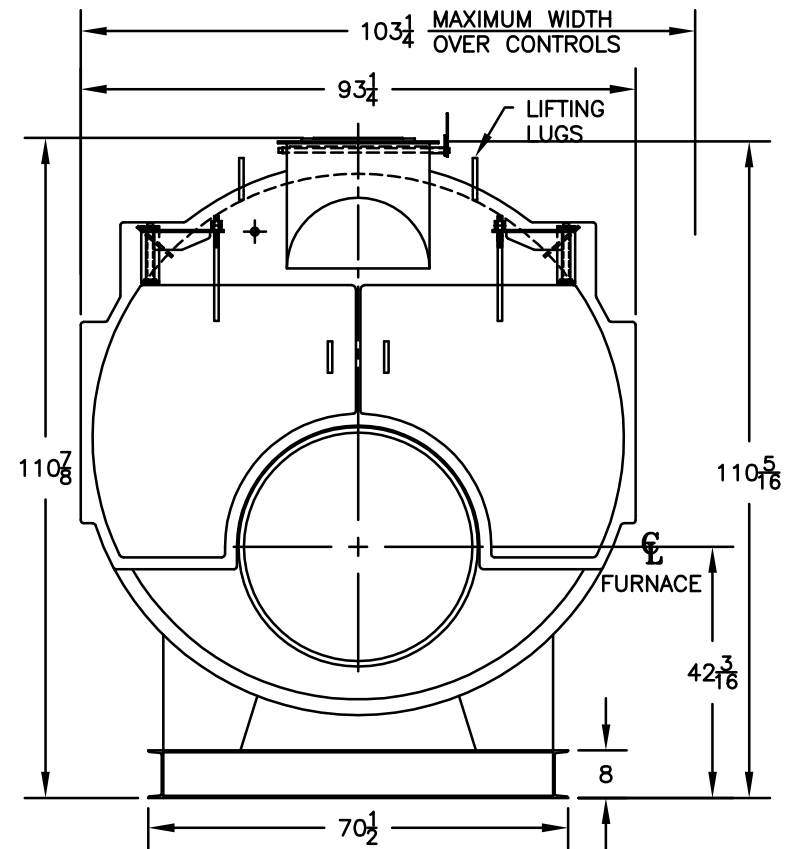
Heating Surface - Sq. Ft.
 Fireside - 2000
 Firetubes
 Number - 200
 Diameter - 2.5" O.D.

Firing Rate
 1000 BTU Gas (MBH) - 16738
 140000 BTU/Gal Oil (GPH) - 115.9
 150000 BTU/Gal Oil (GPH) - 108.2

Water Content
 Pounds - 21016
 Gallons (U.S.) - 2519
 Approximate Weight/LBS.
 Dry - 25424
 Wet - 46440

LEGEND

BS = BOTH SIDES
 RS = RIGHT SIDE



SPECIFICATIONS SUBJECT TO CHANGE WITHOUT NOTICE ALL CONNECTIONS ARE THREADED UNLESS OTHERWISE SPECIFIED
 THIS DOCUMENT CONTAINS CONFIDENTIAL INFORMATION WHICH IS THE PROPERTY OF BURNHAM COMMERCIAL. THIS DOCUMENT MAY NOT BE REPRODUCED, TRANSFERRED OR USED, OR ITS CONTENTS DISCLOSED, WITHOUT THE WRITTEN PERMISSION OF THE OWNER.

MODEL 4SL-400
427.5 BHP
15 PSI STEAM