

BURNHAM®

Commercial Boilers

RATINGS AND DATA

Shell Diameter : 98"
 Gross Output - BHP : 533.1
 Gross Output - MBH : 17846
 Gross Output - Lbs/Hr : 18393
 Net Rating - MBH : 13856
 Net Rating - Sq. Ft. : 57733
 Safety Valve - Lbs/Hr. : 20000

Heating Surface - Sq. Ft.
 Fireside - 2500
 Firetubes
 Number - 264
 Diameter - 2.5" O.D.

Firing Rate
 1000 BTU Gas (MBH) - 20922
 140000 BTU/Gal Oil (GPH) - 144.9
 150000 BTU/Gal Oil (GPH) - 135.2

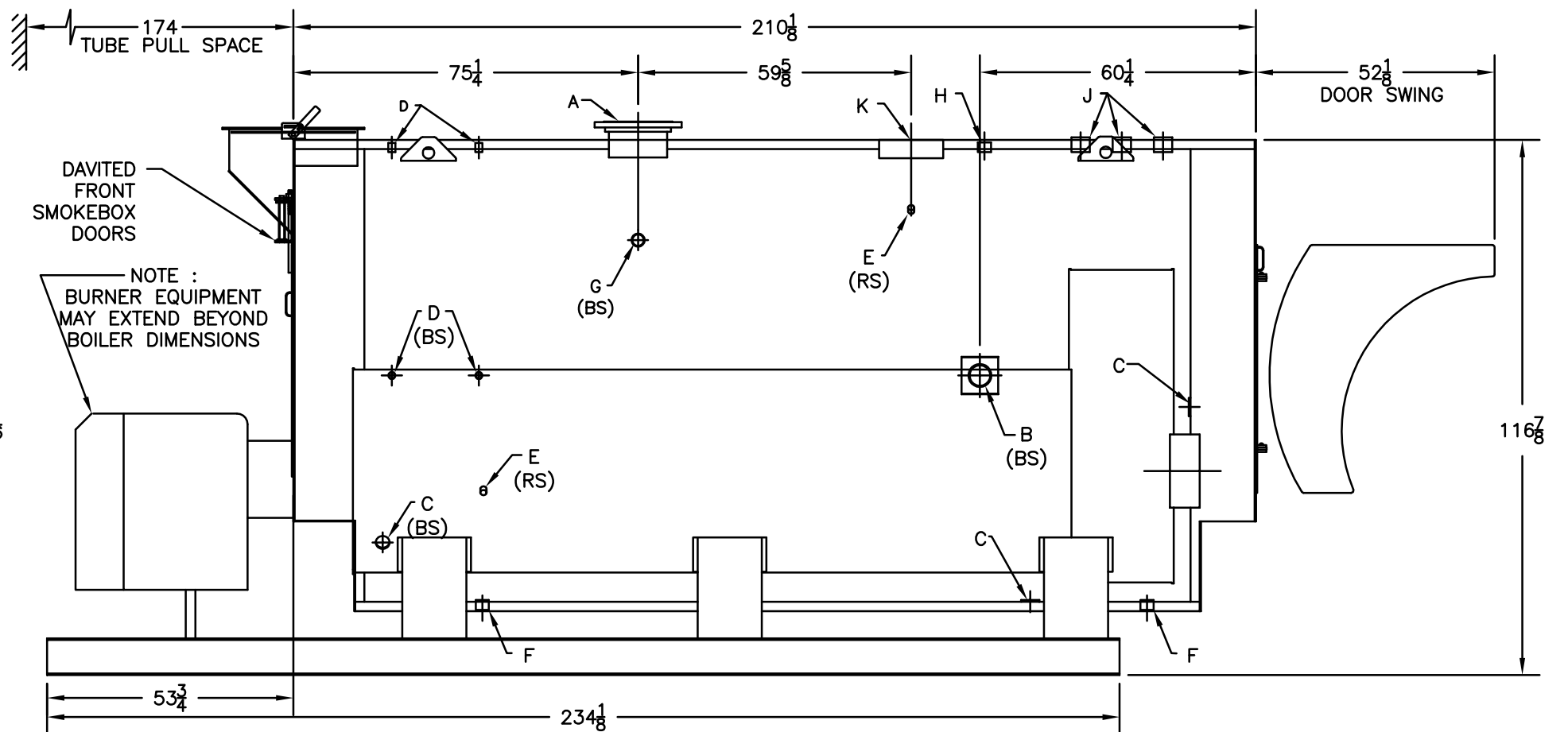
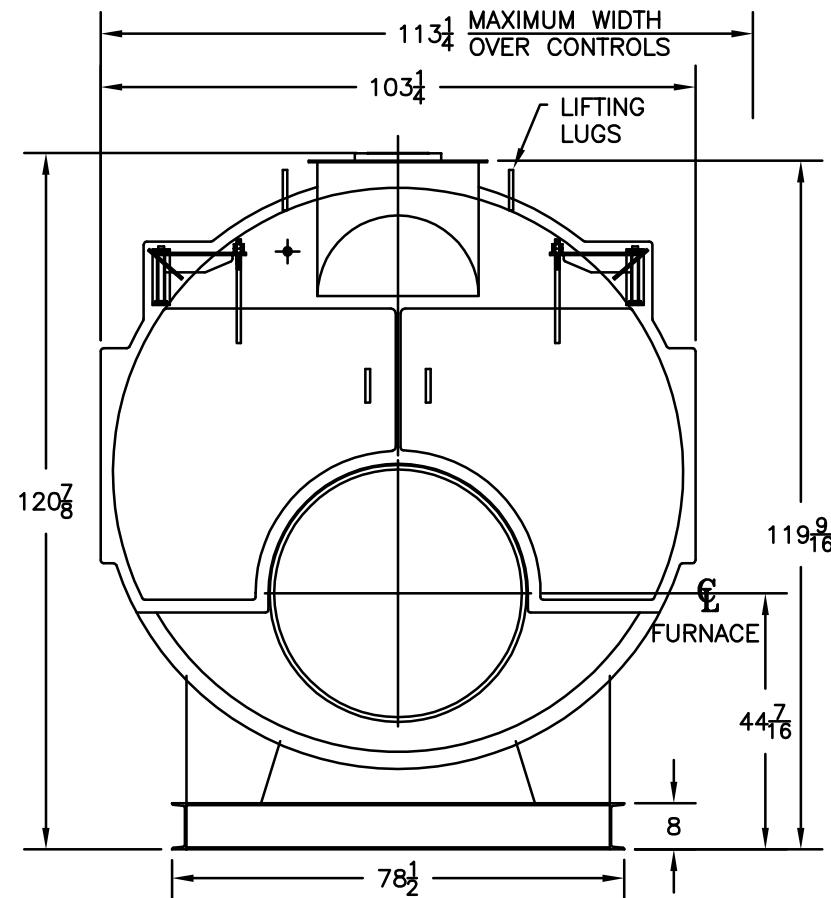
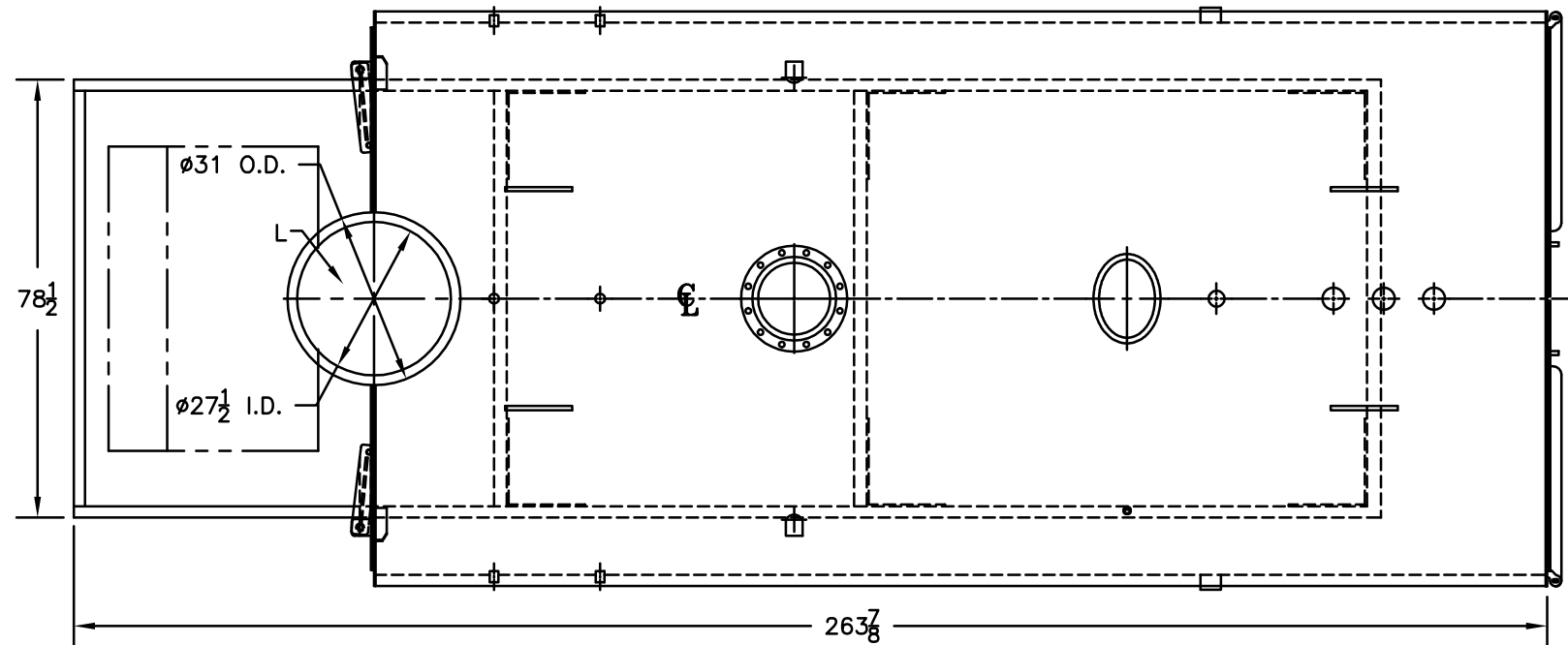
Water Content
 Pounds - 22672
 Gallons (U.S.) - 2718
 Approximate Weight/LBS.
 Dry - 30397
 Wet - 53069

LEGEND

BS = BOTH SIDES
 RS = RIGHT SIDE

LEGEND CONNECTIONS

- A = 12" FLANGED SUPPLY (150#)
- B = 4" RETURN
- C = 3" x 4" HANDHOLE
- D = 1" WATER COLUMN
- E = 3/4" AQUASTAT
- F = 2" BOTTOM BLOWDOWN
- G = 2" SURFACE BLOWOFF
- H = 2" AUXILIARY CONNECTION
- J = 3" SAFETY VALVE (3)
- K = 12" X 16" MANHOLE
- L = 28" NOMINAL FLUE DIAMETER



NOTE :
 BURNER EQUIPMENT
 MAY EXTEND BEYOND
 BOILER DIMENSIONS

MODEL 4SL-500
533.1 BHP
15 PSI STEAM

SPECIFICATIONS SUBJECT TO CHANGE WITHOUT NOTICE ALL CONNECTIONS ARE THREADED UNLESS OTHERWISE SPECIFIED
 THIS DOCUMENT CONTAINS CONFIDENTIAL INFORMATION WHICH IS THE PROPERTY OF BURNHAM COMMERCIAL. THIS DOCUMENT MAY NOT BE REPRODUCED, TRANSFERRED OR USED, OR ITS CONTENTS DISCLOSED, WITHOUT THE WRITTEN PERMISSION OF THE OWNER.