

# BURNHAM®

## Commercial Boilers

### LEGEND CONNECTIONS

- A = 12" FLANGED SUPPLY (150#)
- B = 4" RETURN
- C = 3" x 4" HANDHOLE
- D = 1" WATER COLUMN
- E = 3/4" AQUASTAT
- F = 2" BOTTOM BLOWDOWN
- G = 2" SURFACE BLOWOFF
- H = 2" AUXILIARY CONNECTION
- J = 3" SAFETY VALVE (4)  
2" SAFETY VALVE (1)
- K = 12" X 16" MANHOLE
- L = 28" NOMINAL FLUE DIAMETER

### RATINGS AND DATA

Shell Diameter : 108"  
 Gross Output - BHP : 748.1  
 Gross Output - MBH : 25044  
 Gross Output - Lbs/Hr : 25811  
 Net Rating - MBH : 19444  
 Net Rating - Sq. Ft. : 81016  
 Safety Valve - Lbs/Hr. : 28000

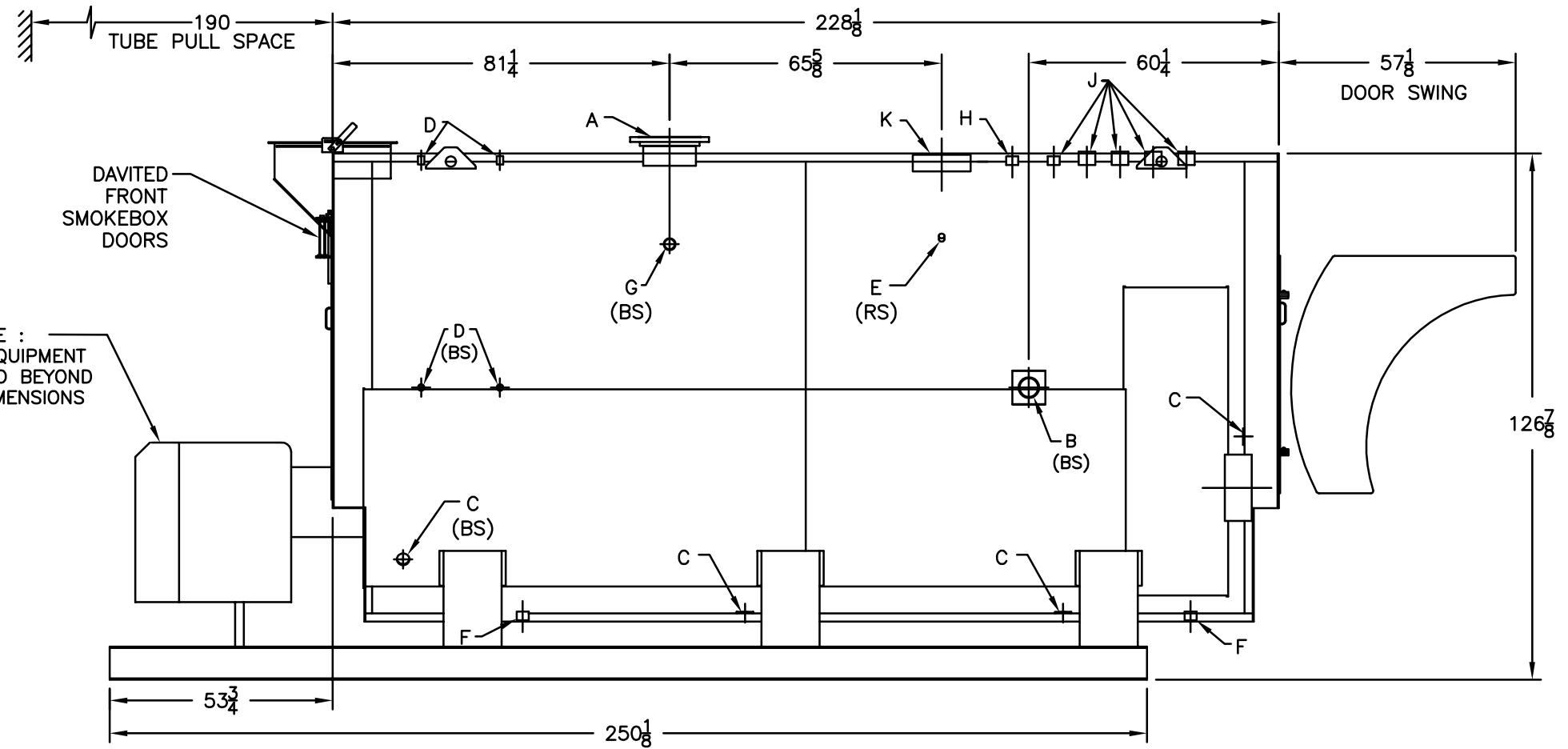
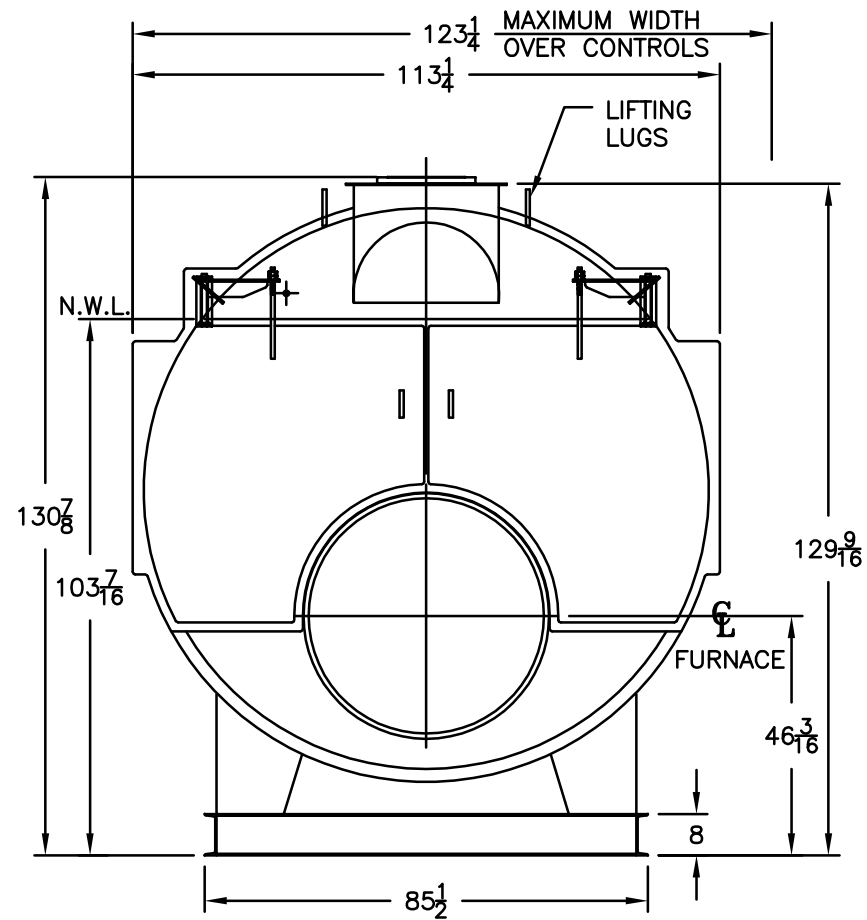
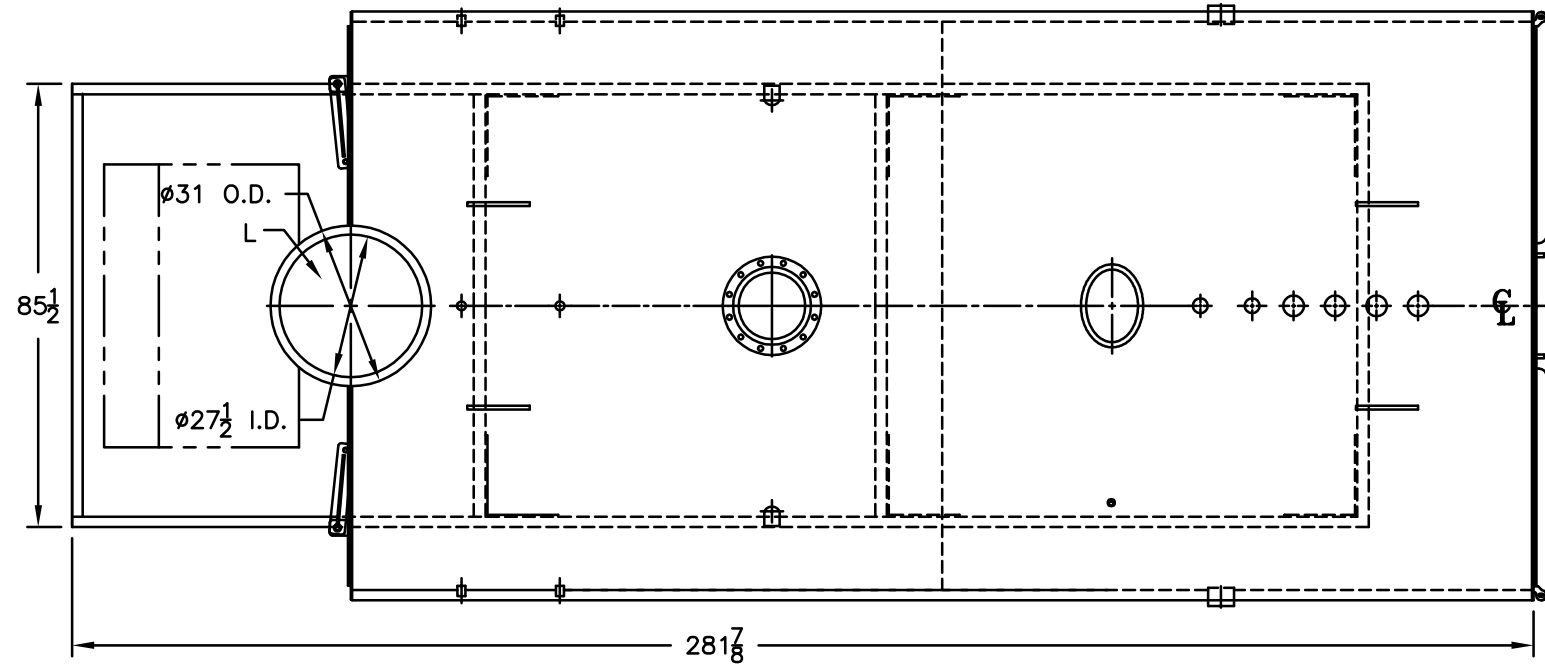
Heating Surface - Sq. Ft.  
 Fireside - 3500  
 Firetubes  
 Number - 348  
 Diameter - 2.5" O.D.

Firing Rate  
 1000 BTU Gas (MBH) - 29291  
 140000 BTU/Gal Oil (GPH) - 202.6  
 150000 BTU/Gal Oil (GPH) - 189.1

Water Content  
 Pounds - 31900  
 Gallons (U.S.) - 3824  
 Dry - 39900  
 Wet - 71800

### LEGEND

BS = BOTH SIDES  
 RS = RIGHT SIDE



NOTE :  
 BURNER EQUIPMENT  
 MAY EXTEND BEYOND  
 BOILER DIMENSIONS

SPECIFICATIONS SUBJECT TO CHANGE WITHOUT NOTICE  
 ALL CONNECTIONS ARE THREADED UNLESS OTHERWISE SPECIFIED

**MODEL 4SL-700**  
**748.1 BHP**  
**15 PSI STEAM**