

BURNHAM®

Commercial Boilers

RATINGS AND DATA

Shell Diameter : 118"
 Gross Output - BHP : 1000
 Gross Output - MBH : 33475
 Gross Output - Lbs/Hr : 34500
 Safety Valve - Lbs/Hr. : 39052

Heating Surface - Sq. Ft.
 Fireside - 5000
 Firetubes
 Number - 418
 Diameter - 2.5" O.D.

Firing Rate
 1000 BTU Gas (MBH) - 41844
 140000 BTU/Gal Oil (GPH) - 298.9
 150000 BTU/Gal Oil (GPH) - 279.0

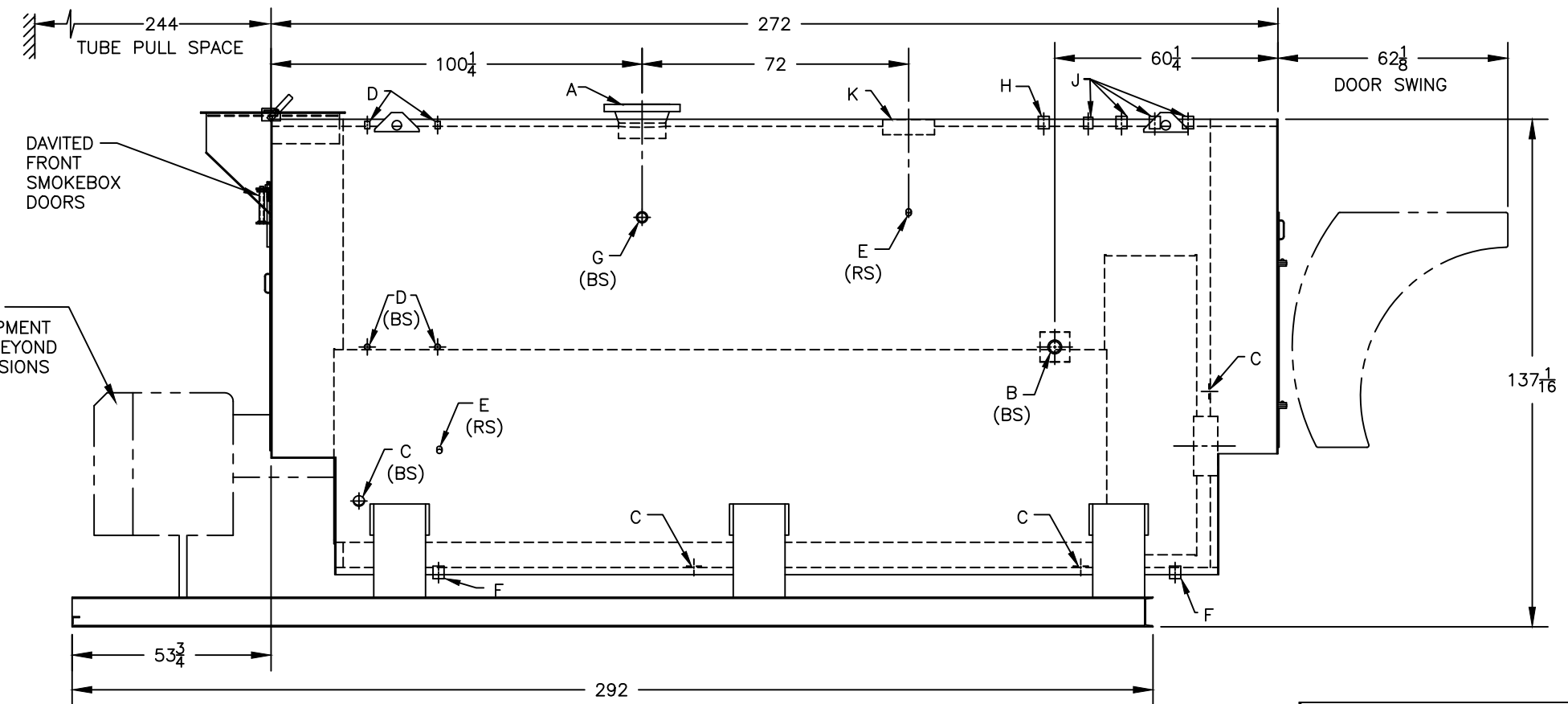
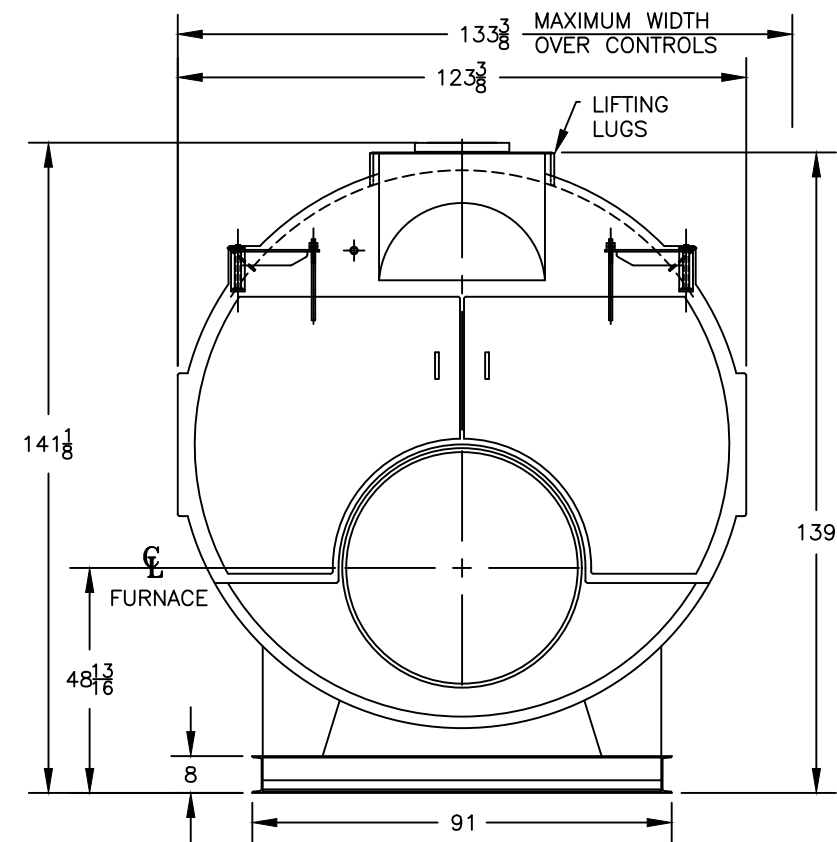
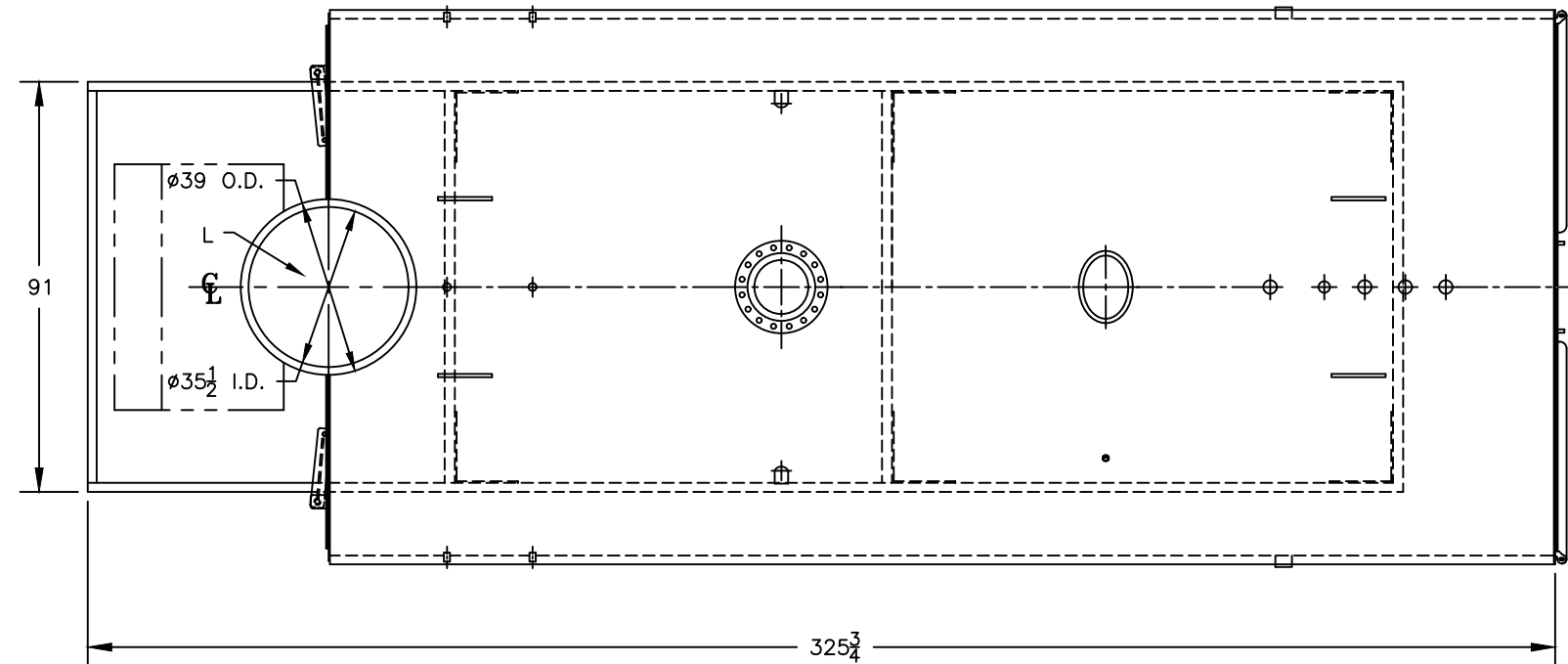
Water Content
 Pounds - 42760
 Gallons (U.S.) - 5126
 Approximate Weight/LBS.
 Dry - 61700
 Wet - 104460

LEGEND CONNECTIONS

- A = 12" FLANGED SUPPLY (300#)
- B = 2-1/2" RETURN
- C = 3" x 4" HANDHOLE
- D = 1" WATER COLUMN
- E = 3/4" AQUASTAT
- F = 2" BOTTOM BLOWDOWN
- G = 2" SURFACE BLOWOFF
- H = 2" AUXILIARY CONNECTION
- J = 1-1/2" SAFETY VALVE (1)
2" SAFETY VALVE (3)
- K = 12" X 16" MANHOLE
- L = 36" NOMINAL FLUE DIAMETER

LEGEND

- BS = BOTH SIDES
- RS = RIGHT SIDE



NOTE :
 BURNER EQUIPMENT
 MAY EXTEND BEYOND
 BOILER DIMENSIONS

MODEL 4SP-1000
1000 BHP
150 PSI STEAM

SPECIFICATIONS SUBJECT TO CHANGE WITHOUT NOTICE ALL CONNECTIONS ARE THREADED UNLESS OTHERWISE SPECIFIED
 THIS DOCUMENT CONTAINS CONFIDENTIAL INFORMATION WHICH IS THE PROPERTY OF BURNHAM COMMERCIAL. THIS DOCUMENT MAY NOT BE REPRODUCED, TRANSFERRED OR USED, OR ITS CONTENTS DISCLOSED, WITHOUT THE WRITTEN PERMISSION OF THE OWNER.