

# BURNHAM®

## Commercial Boilers

### LEGEND CONNECTIONS

- A = 4" FLANGED SUPPLY (300#)
- B = 1-1/4" RETURN
- C = 3" x 4" HANDHOLE
- D = 1" WATER COLUMN
- E = 3/4" AQUASTAT
- F = 1-1/2" BOTTOM BLOWDOWN
- G = 1-1/2" SURFACE BLOWOFF
- H = 2" AUXILIARY CONNECTION
- J = 1" SAFETY VALVE
- 1-1/4" SAFETY VALVE
- K = 12" X 16" MANHOLE
- L = 12" NOMINAL FLUE DIAMETER

### RATINGS AND DATA

Shell Diameter : 62"  
 Gross Output - BHP : 125  
 Gross Output - MBH : 4184  
 Gross Output - Lbs/Hr : 4312  
 Net Rating - MBH : 3348  
 Net Rating - Sq. Ft. : 13950  
 Safety Valve - Lbs/Hr. : 4882

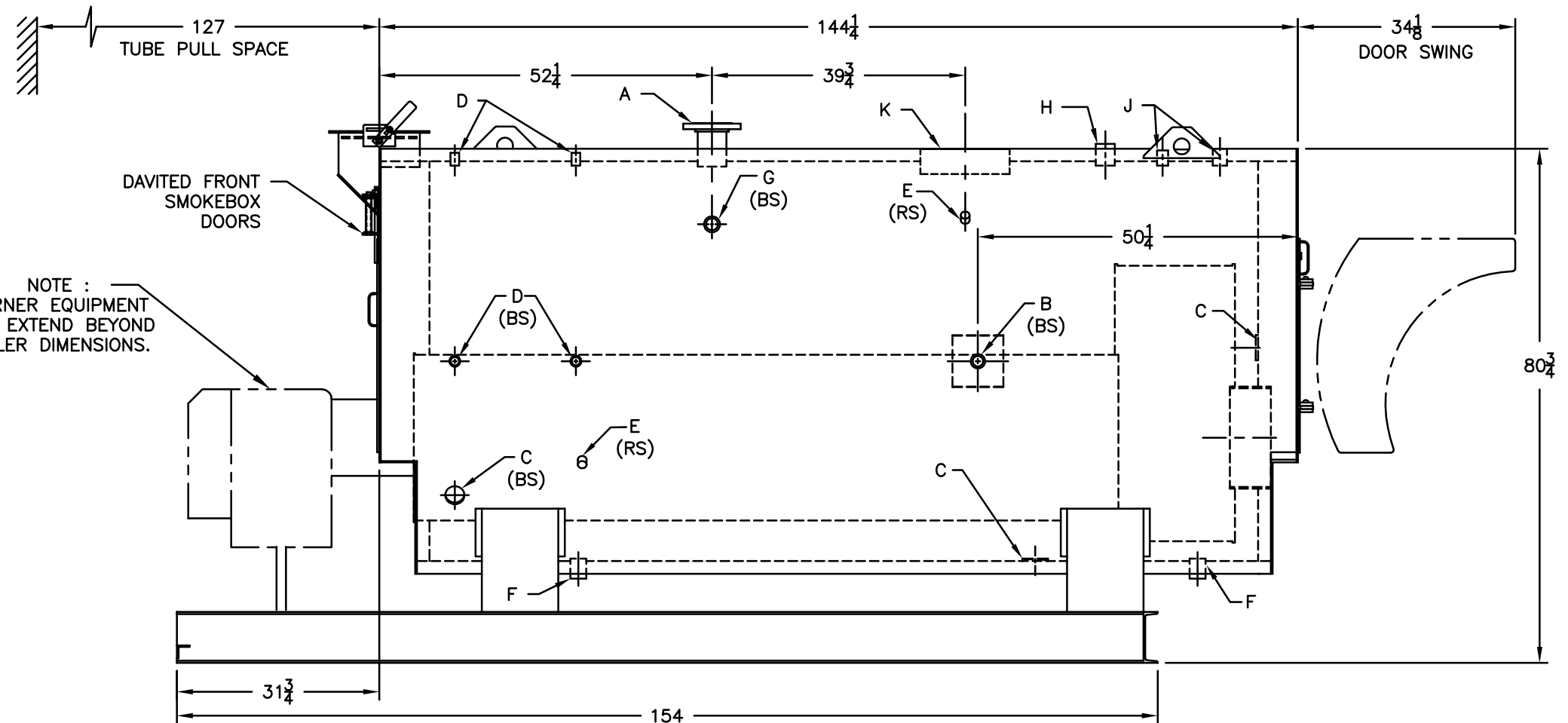
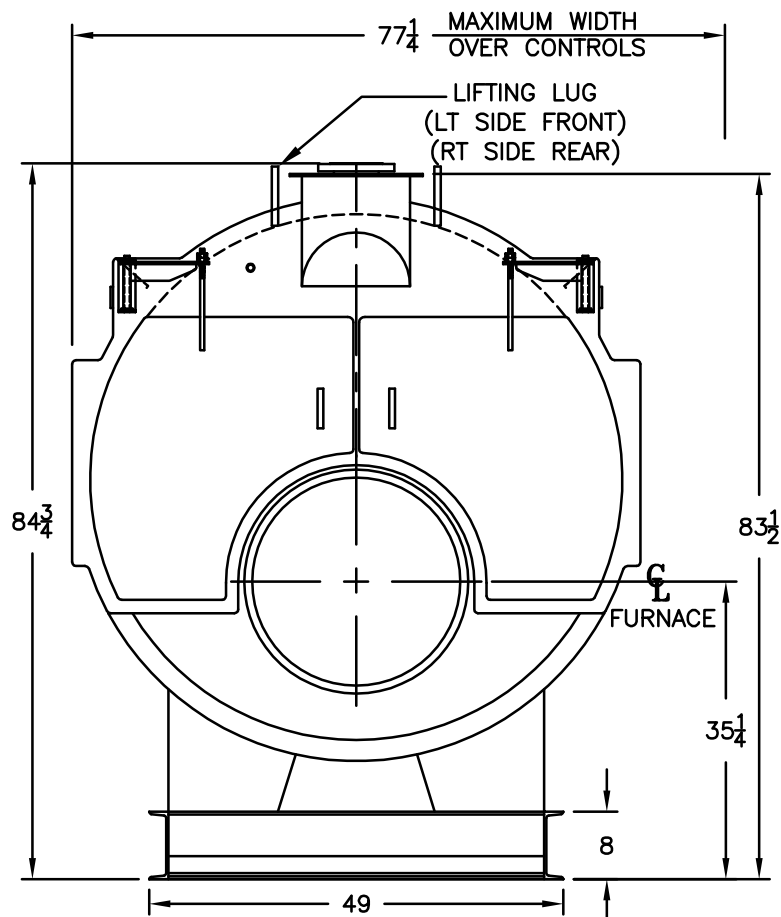
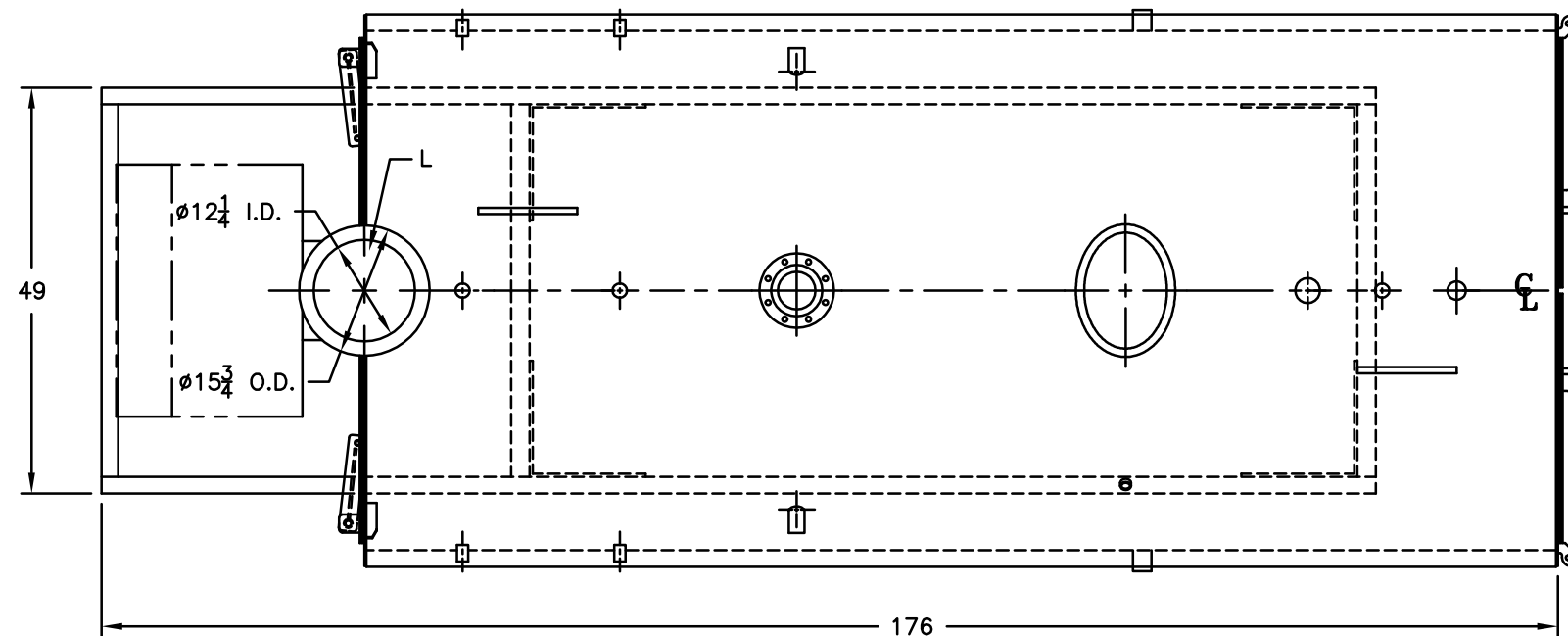
Heating Surface - Sq. Ft.  
 Fireside - 625  
 Firetubes  
 Number - 86  
 Diameter - 2.5" O.D.

Firing Rate  
 1000 BTU Gas (MBH) - 5230  
 140000 BTU/Gal Oil (GPH) - 36.2  
 150000 BTU/Gal Oil (GPH) - 33.8

Water Content  
 Pounds - 8208  
 Gallons (U.S.) - 984  
 Approximate Weight/LBS.  
 Dry - 10651  
 Wet - 18859

### LEGEND

BS = BOTH SIDES  
 RS = RIGHT SIDE



**MODEL 4SP-125**  
**125 BHP**  
**150 PSI STEAM**

SPECIFICATIONS SUBJECT TO CHANGE WITHOUT NOTICE ALL CONNECTIONS ARE THREADED UNLESS OTHERWISE SPECIFIED  
 THIS DOCUMENT CONTAINS CONFIDENTIAL INFORMATION WHICH IS THE PROPERTY OF BURNHAM COMMERCIAL. THIS DOCUMENT MAY NOT BE REPRODUCED, TRANSFERRED OR USED, OR ITS CONTENTS DISCLOSED, WITHOUT THE WRITTEN PERMISSION OF THE OWNER.