

# BURNHAM®

## Commercial Boilers

### LEGEND CONNECTIONS

- A = 4" FLANGED SUPPLY (300#)
- B = 1-1/2" RETURN
- C = 3" x 4" HANDHOLE
- D = 1" WATER COLUMN
- E = 3/4" AQUASTAT
- F = 2" BOTTOM BLOWDOWN
- G = 2" SURFACE BLOWOFF
- H = 2" AUXILIARY CONNECTION
- J = 1-1/2" SAFETY VALVE
- 1-1/4" SAFETY VALVE
- K = 12" X 16" MANHOLE
- L = 16" NOMINAL FLUE DIAMETER

### RATINGS AND DATA

Shell Diameter : 70"  
 Gross Output - BHP : 150  
 Gross Output - MBH : 5021  
 Gross Output - Lbs/Hr : 5175  
 Net Rating - MBH : 4018  
 Net Rating - Sq. Ft. : 16742  
 Safety Valve - Lbs/Hr. : 5858

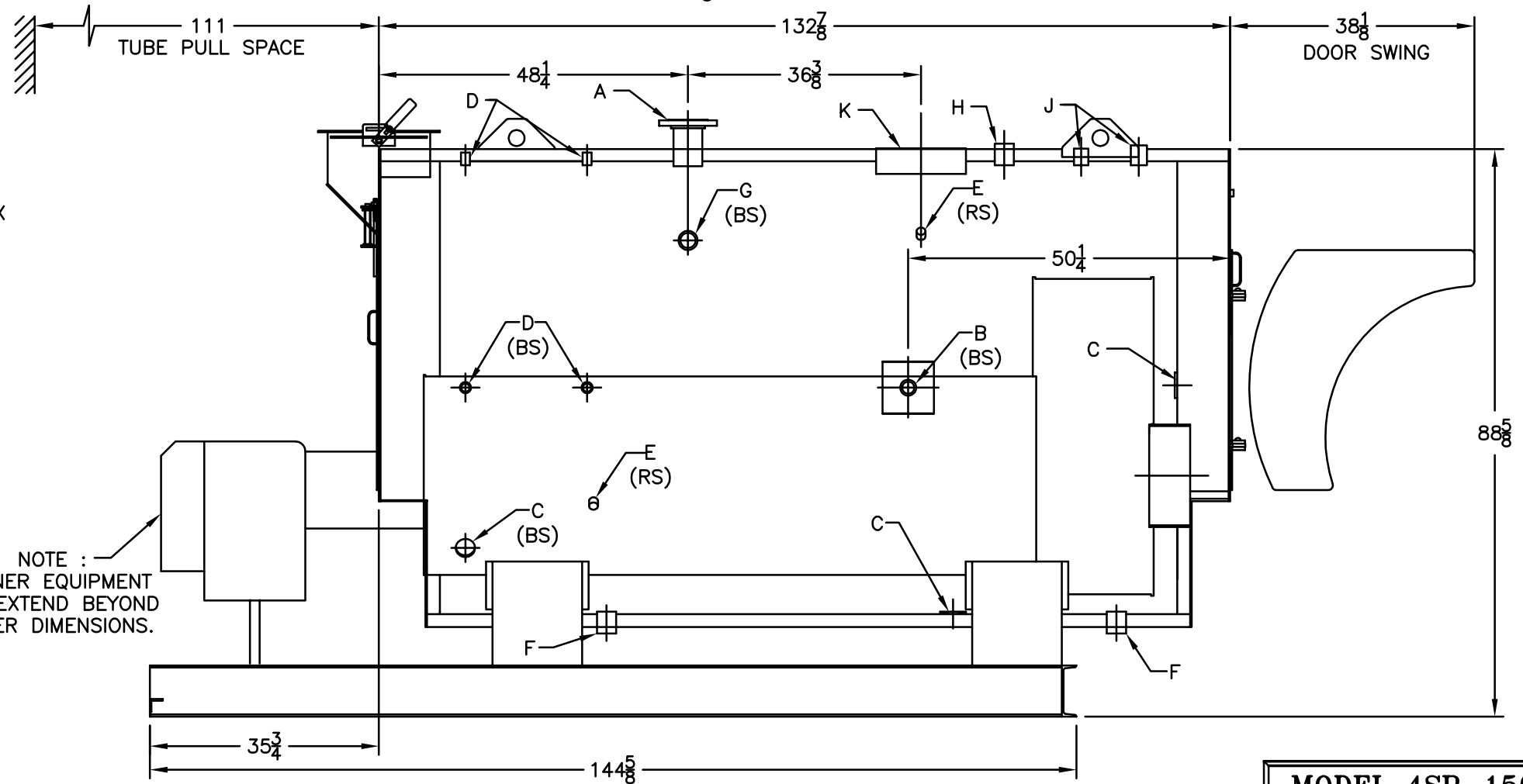
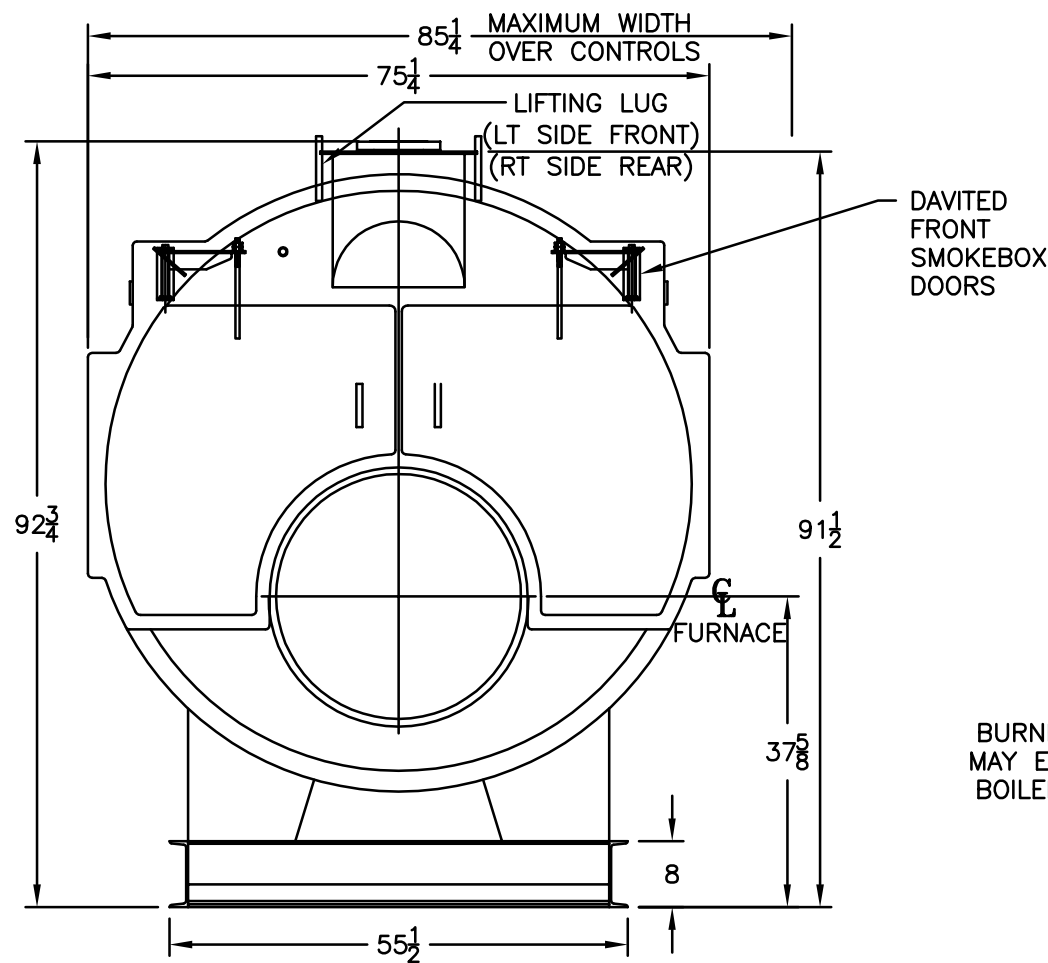
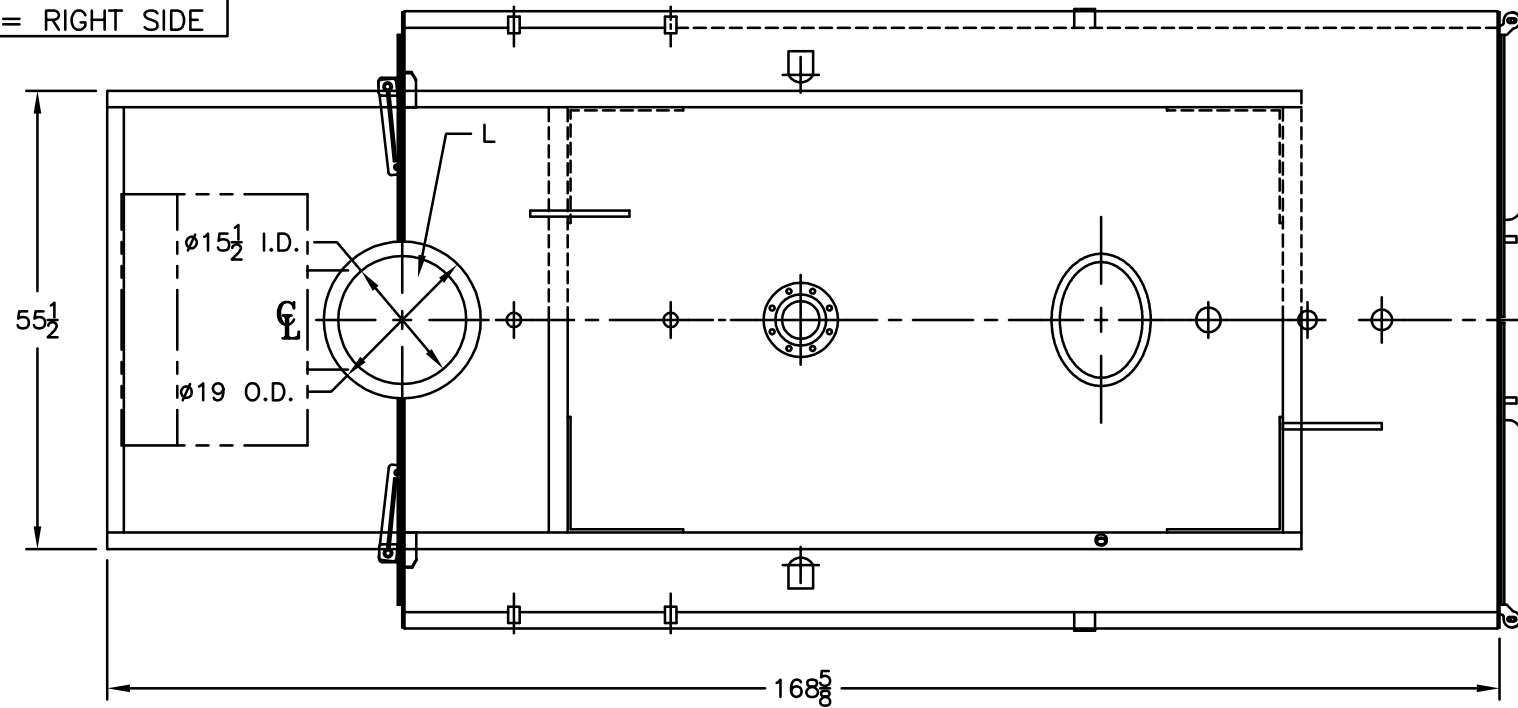
Heating Surface - Sq. Ft.  
 Fireside - 750  
 Firetubes  
 Number - 120  
 Diameter - 2.5" O.D.

Firing Rate  
 1000 BTU Gas (MBH) - 6277  
 140000 BTU/Gal Oil (GPH) - 43.3  
 150000 BTU/Gal Oil (GPH) - 40.4

Water Content  
 Pounds - 8406  
 Gallons (U.S.) - 1008  
 Approximate Weight/LBS.  
 Dry - 12198  
 Wet - 20604

### LEGEND

BS = BOTH SIDES  
 RS = RIGHT SIDE



NOTE :  
 BURNER EQUIPMENT  
 MAY EXTEND BEYOND  
 BOILER DIMENSIONS.

**MODEL 4SP-150**  
**150 BHP**  
**150 PSI STEAM**

SPECIFICATIONS SUBJECT TO CHANGE WITHOUT NOTICE ALL CONNECTIONS ARE THREADED UNLESS OTHERWISE SPECIFIED  
 THIS DOCUMENT CONTAINS CONFIDENTIAL INFORMATION WHICH IS THE PROPERTY OF BURNHAM COMMERCIAL. THIS DOCUMENT MAY NOT BE REPRODUCED, TRANSFERRED OR USED, OR ITS CONTENTS DISCLOSED, WITHOUT THE WRITTEN PERMISSION OF THE OWNER.