

# BURNHAM®

## Commercial Boilers

### RATINGS AND DATA

Shell Diameter : 70"  
 Gross Output - BHP : 175  
 Gross Output - MBH : 5858  
 Gross Output - Lbs/Hr : 6037  
 Net Rating - MBH : 4687  
 Net Rating - Sq. Ft. : 19529  
 Safety Valve - Lbs/Hr. : 6835

Heating Surface - Sq. Ft.  
 Fireside - 875  
 Firetubes  
 Number - 120  
 Diameter - 2.5" O.D.

Firing Rate  
 1000 BTU Gas (MBH) - 7323  
 140000 BTU/Gal Oil (GPH) - 50.6  
 150000 BTU/Gal Oil (GPH) - 47.2

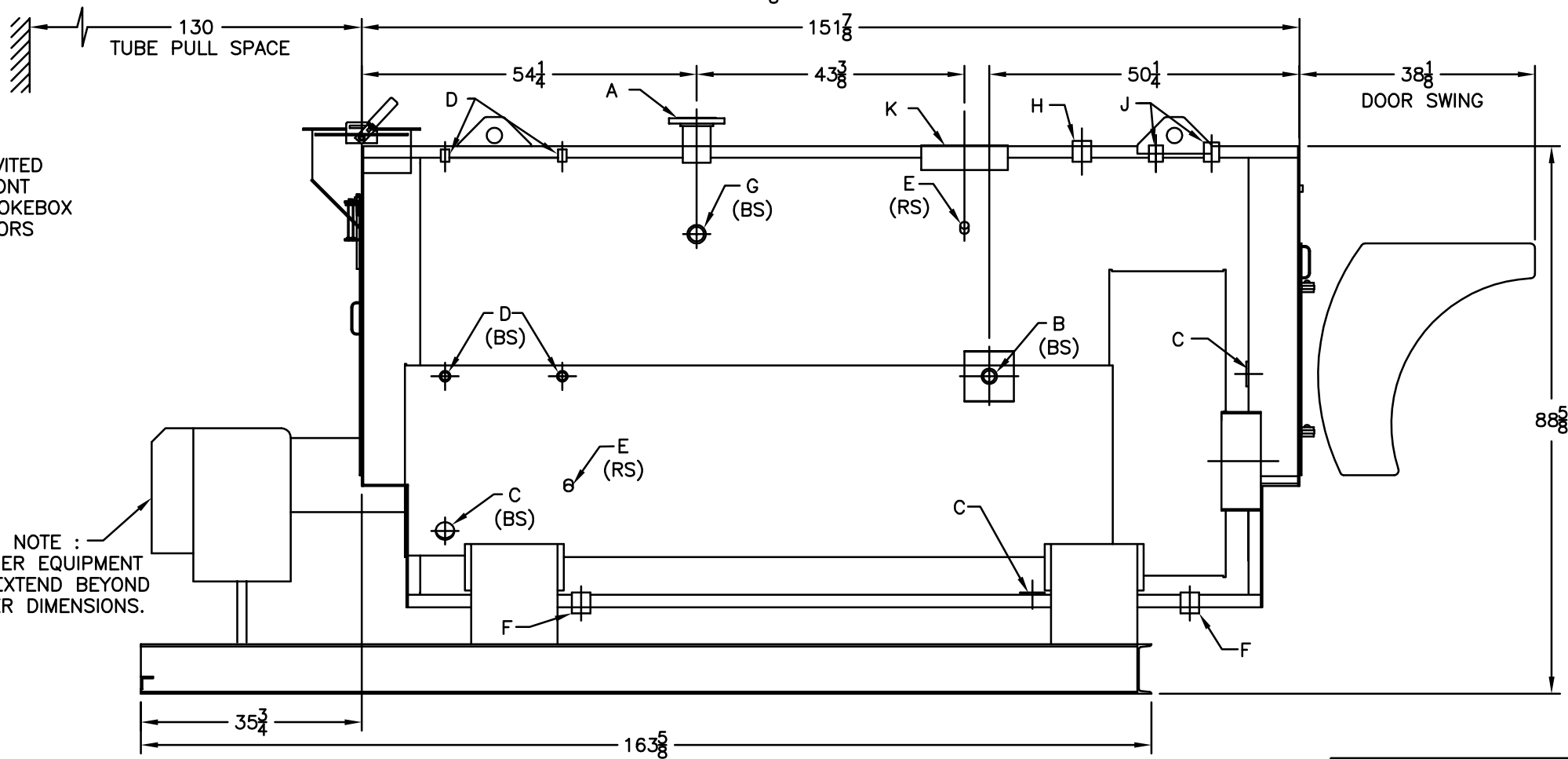
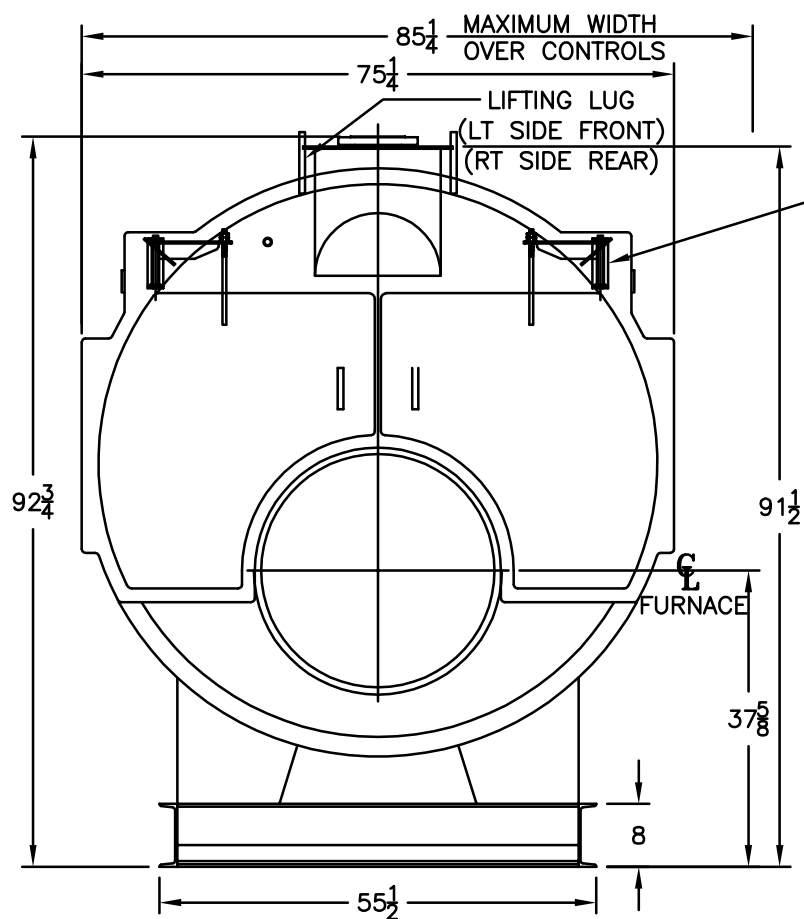
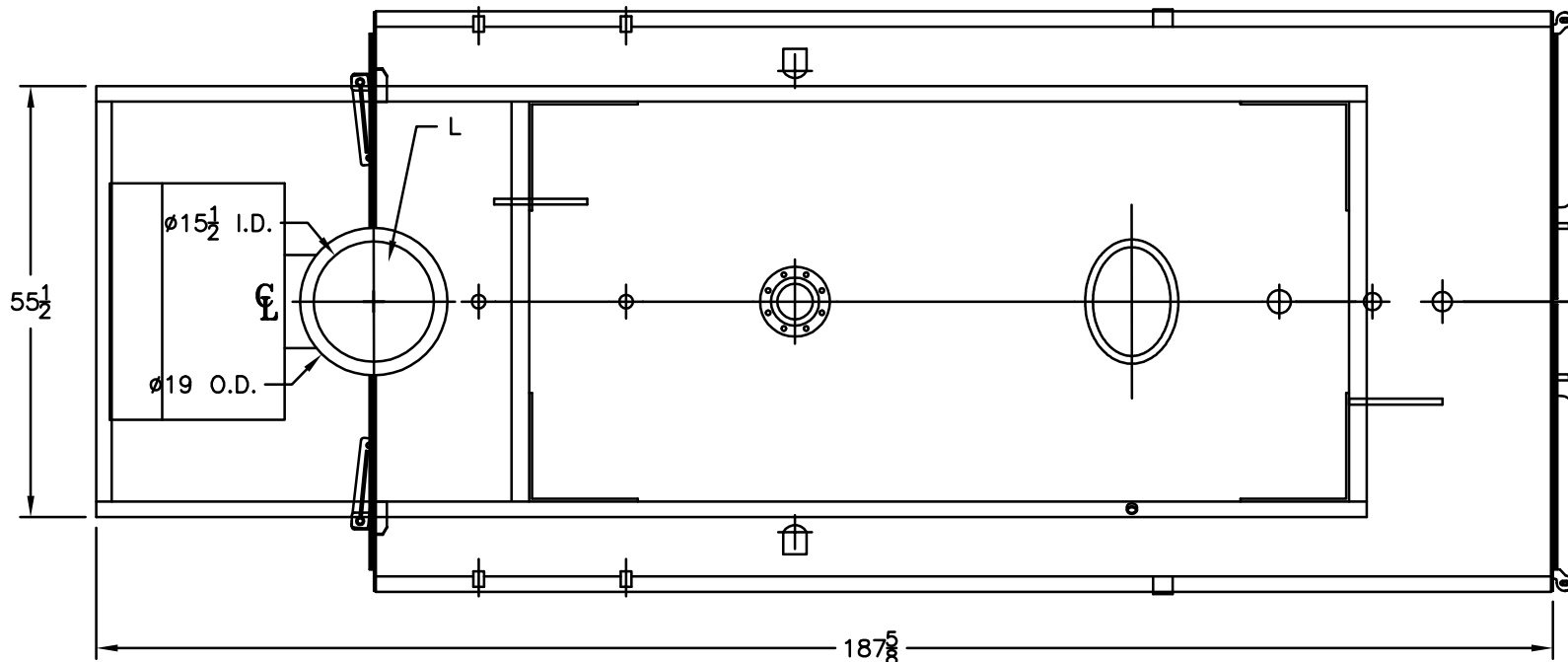
Water Content  
 Pounds - 9895  
 Gallons (U.S.) - 1186  
 Approximate Weight/LBS.  
 Dry - 13616  
 Wet - 23511

### LEGEND

BS = BOTH SIDES  
 RS = RIGHT SIDE

### LEGEND CONNECTIONS

- A = 6" FLANGED SUPPLY (300#)
- B = 1-1/2" RETURN
- C = 3" x 4" HANDHOLE
- D = 1" WATER COLUMN
- E = 3/4" AQUASTAT
- F = 2" BOTTOM BLOWDOWN
- G = 2" SURFACE BLOWOFF
- H = 2" AUXILIARY CONNECTION
- J = 1-1/2" SAFETY VALVE
- 1-1/4" SAFETY VALVE
- K = 12" X 16" MANHOLE
- L = 16" NOMINAL FLUE DIAMETER



NOTE :  
 BURNER EQUIPMENT  
 MAY EXTEND BEYOND  
 BOILER DIMENSIONS.

**MODEL 4SP-175**  
**175 BHP**  
**150 PSI STEAM**

SPECIFICATIONS SUBJECT TO CHANGE WITHOUT NOTICE ALL CONNECTIONS ARE THREADED UNLESS OTHERWISE SPECIFIED  
 THIS DOCUMENT CONTAINS CONFIDENTIAL INFORMATION WHICH IS THE PROPERTY OF BURNHAM COMMERCIAL. THIS DOCUMENT MAY NOT BE REPRODUCED, TRANSFERRED OR USED, OR ITS CONTENTS DISCLOSED, WITHOUT THE WRITTEN PERMISSION OF THE OWNER.