

BURNHAM®

Commercial Boilers

RATINGS AND DATA

Shell Diameter : 80"
 Gross Output - BHP : 300
 Gross Output - MBH : 10043
 Gross Output - Lbs/Hr : 10350
 Net Rating - MBH : 8036
 Net Rating - Sq. Ft. : 33483
 Safety Valve - Lbs/Hr. : 11716

Heating Surface - Sq. Ft.
 Fireside - 1500
 Firetubes
 Number - 164
 Diameter - 2.5" O.D.

Firing Rate
 1000 BTU Gas (MBH) - 12553
 140000 BTU/Gal Oil (GPH) - 86.9
 150000 BTU/Gal Oil (GPH) - 81.1

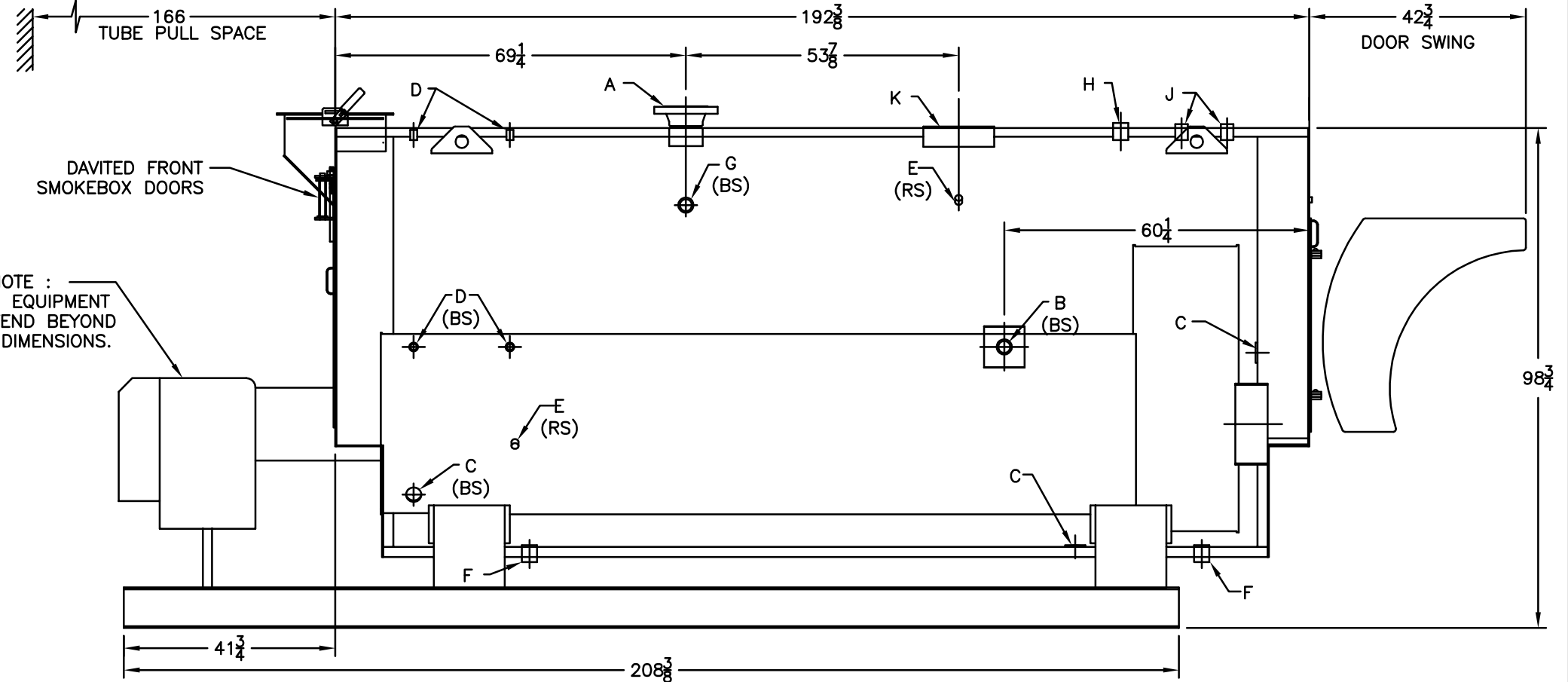
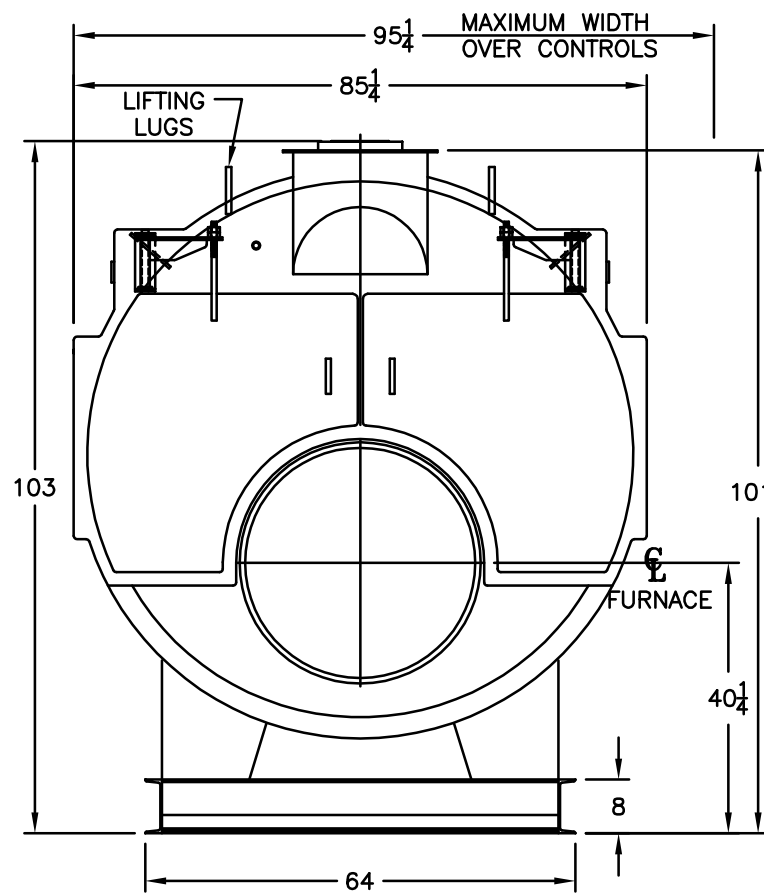
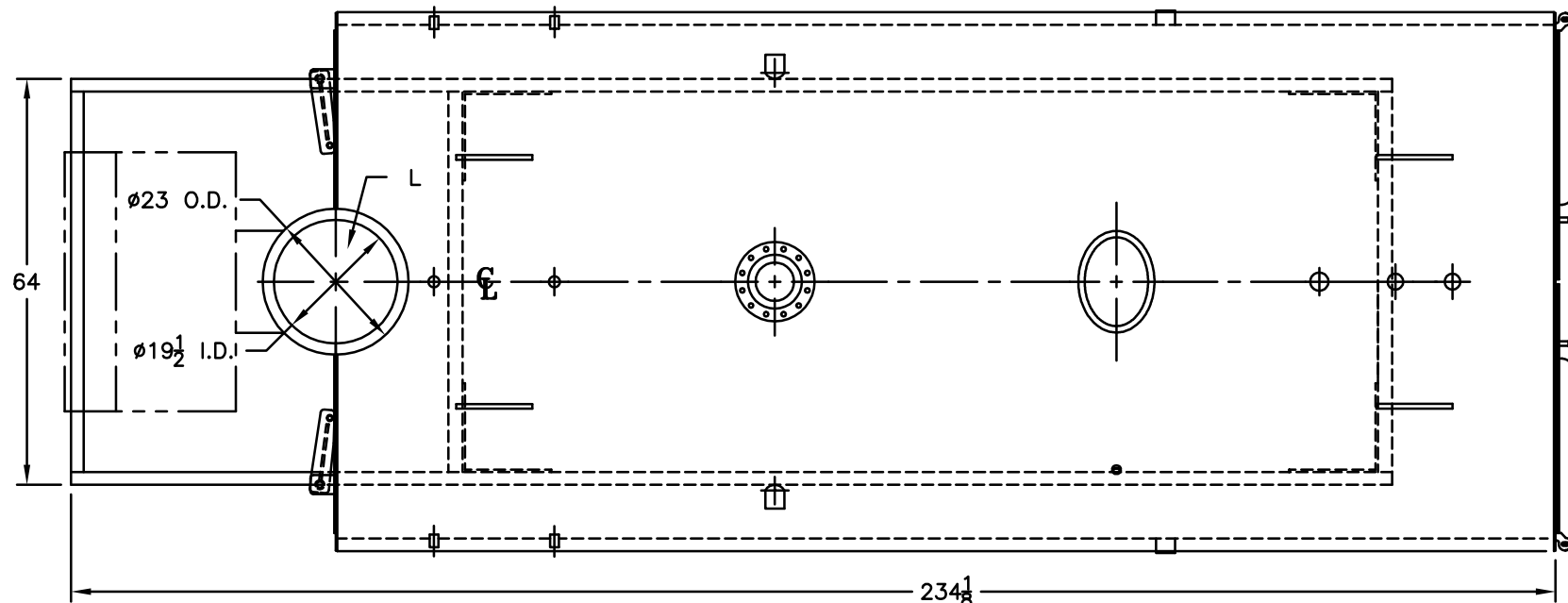
Water Content
 Pounds - 16099
 Gallons (U.S.) - 1930
 Approximate Weight/LBS.
 Dry - 22523
 Wet - 38622

LEGEND CONNECTIONS

- A = 6" FLANGED SUPPLY (300#)
- B = 2" RETURN
- C = 3" x 4" HANDHOLE
- D = 1" WATER COLUMN
- E = 3/4" AQUASTAT
- F = 2" BOTTOM BLOWDOWN
- G = 2" SURFACE BLOWOFF
- H = 2" AUXILIARY CONNECTION
- J = 1-1/2" SAFETY VALVE (2)
- K = 12" X 16" MANHOLE
- L = 20" NOMINAL FLUE DIAMETER

LEGEND

BS = BOTH SIDES
 RS = RIGHT SIDE



NOTE :
 BURNER EQUIPMENT
 MAY EXTEND BEYOND
 BOILER DIMENSIONS.

SPECIFICATIONS SUBJECT TO CHANGE WITHOUT NOTICE ALL CONNECTIONS ARE THREADED UNLESS OTHERWISE SPECIFIED
 THIS DOCUMENT CONTAINS CONFIDENTIAL INFORMATION WHICH IS THE PROPERTY OF BURNHAM COMMERCIAL. THIS DOCUMENT MAY NOT BE REPRODUCED, TRANSFERRED OR USED, OR ITS CONTENTS DISCLOSED, WITHOUT THE WRITTEN PERMISSION OF THE OWNER.

MODEL 4SP-300
300 BHP
150 PSI STEAM

NOV 2015 TS-46-7-B