

# BURNHAM®

## Commercial Boilers

### RATINGS AND DATA

Shell Diameter : 88"  
 Gross Output - BHP : 400  
 Gross Output - MBH : 13390  
 Gross Output - Lbs/Hr : 13800  
 Net Rating - MBH : 10714  
 Net Rating - Sq. Ft. : 44642  
 Safety Valve - Lbs/Hr. : 15621

Heating Surface - Sq. Ft.  
 Fireside - 2000  
 Firetubes  
 Number - 200  
 Diameter - 2.5" O.D.

Firing Rate  
 1000 BTU Gas (MBH) - 16738  
 140000 BTU/Gal Oil (GPH) - 115.9  
 150000 BTU/Gal Oil (GPH) - 108.2

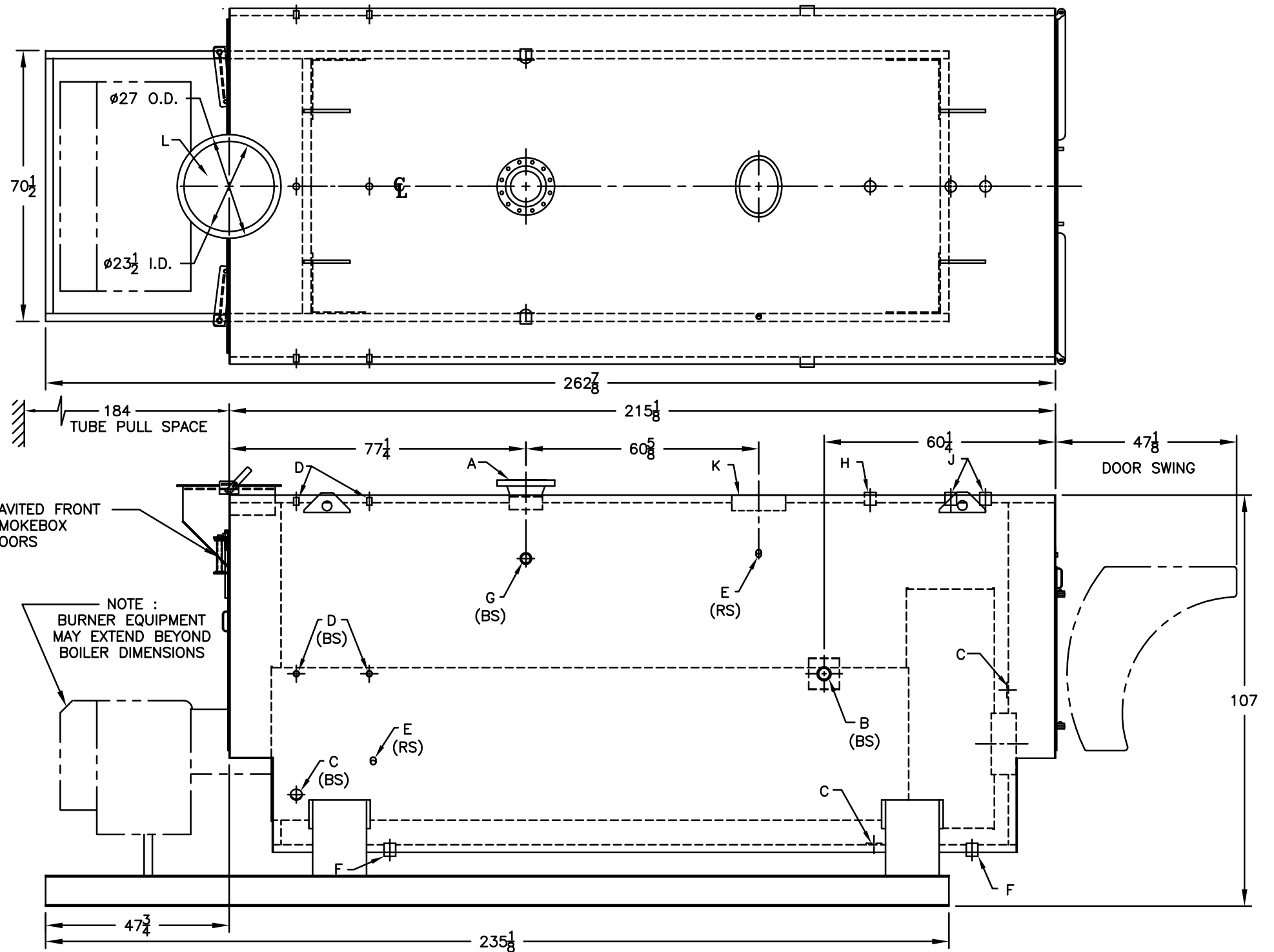
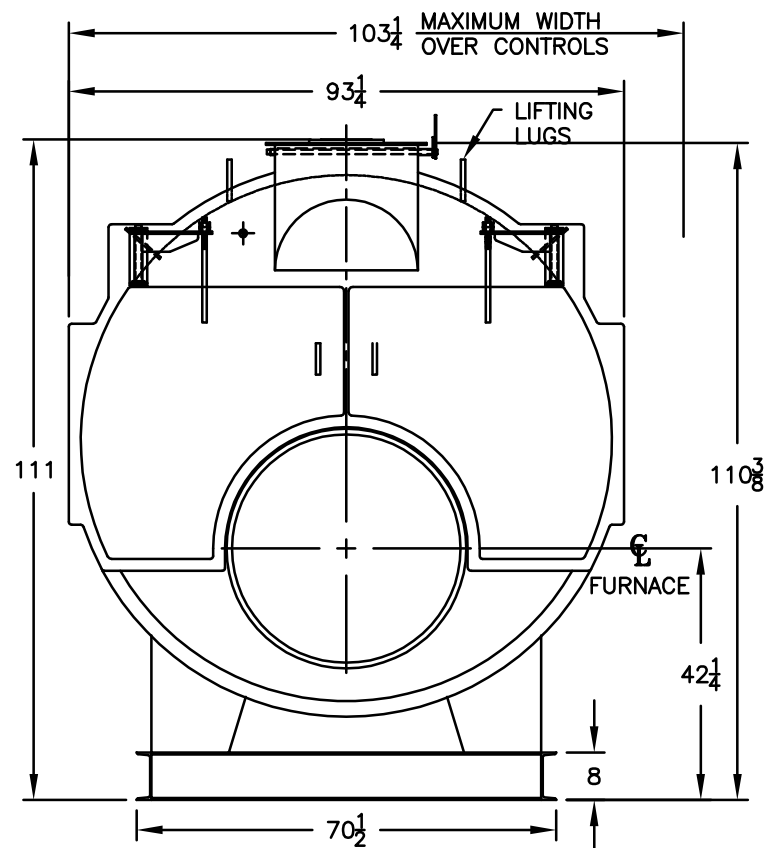
Water Content  
 Pounds - 21689  
 Gallons (U.S.) - 2600  
 Approximate Weight/LBS.  
 Dry - 28569  
 Wet - 50257

### LEGEND CONNECTIONS

- A = 8" FLANGED SUPPLY (300#)
- B = 2-1/2" RETURN
- C = 3" x 4" HANDHOLE
- D = 1" WATER COLUMN
- E = 3/4" AQUASTAT
- F = 2" BOTTOM BLOWDOWN
- G = 2" SURFACE BLOWOFF
- H = 2" AUXILIARY CONNECTION
- J = 1-1/2" SAFETY VALVE
- K = 2" SAFETY VALVE
- L = 24" NOMINAL FLUE DIAMETER

### LEGEND

BS = BOTH SIDES  
 RS = RIGHT SIDE



SPECIFICATIONS SUBJECT TO CHANGE WITHOUT NOTICE ALL CONNECTIONS ARE THREADED UNLESS OTHERWISE SPECIFIED  
 THIS DOCUMENT CONTAINS CONFIDENTIAL INFORMATION WHICH IS THE PROPERTY OF BURNHAM COMMERCIAL. THIS DOCUMENT MAY NOT BE REPRODUCED, TRANSFERRED OR USED, OR ITS CONTENTS DISCLOSED, WITHOUT THE WRITTEN PERMISSION OF THE OWNER.

**MODEL 4SP-400**  
**400 BHP**  
**150 PSI STEAM**