

BURNHAM®

Commercial Boilers

RATINGS AND DATA

Shell Diameter : 108"
 Gross Output - BHP : 700
 Gross Output - MBH : 23433
 Gross Output - Lbs/Hr : 24150
 Net Rating - MBH : 18750
 Net Rating - Sq. Ft. : 78125
 Safety Valve - Lbs/Hr. : 27337

Heating Surface - Sq. Ft.
 Fireside - 3500
 Firetubes
 Number - 350
 Diameter - 2.5" O.D.

Firing Rate
 1000 BTU Gas (MBH) - 29291
 140000 BTU/Gal Oil (GPH) - 202.6
 150000 BTU/Gal Oil (GPH) - 189.1

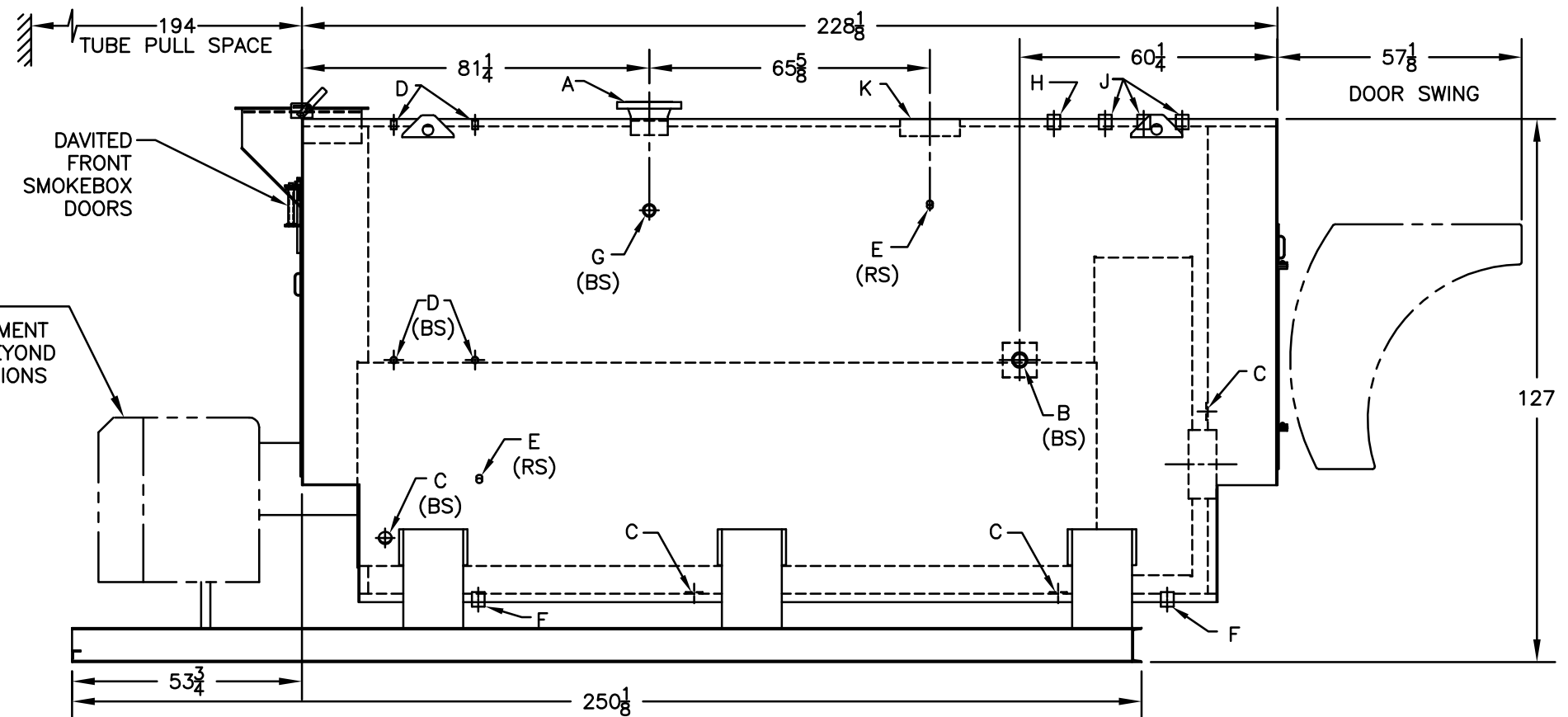
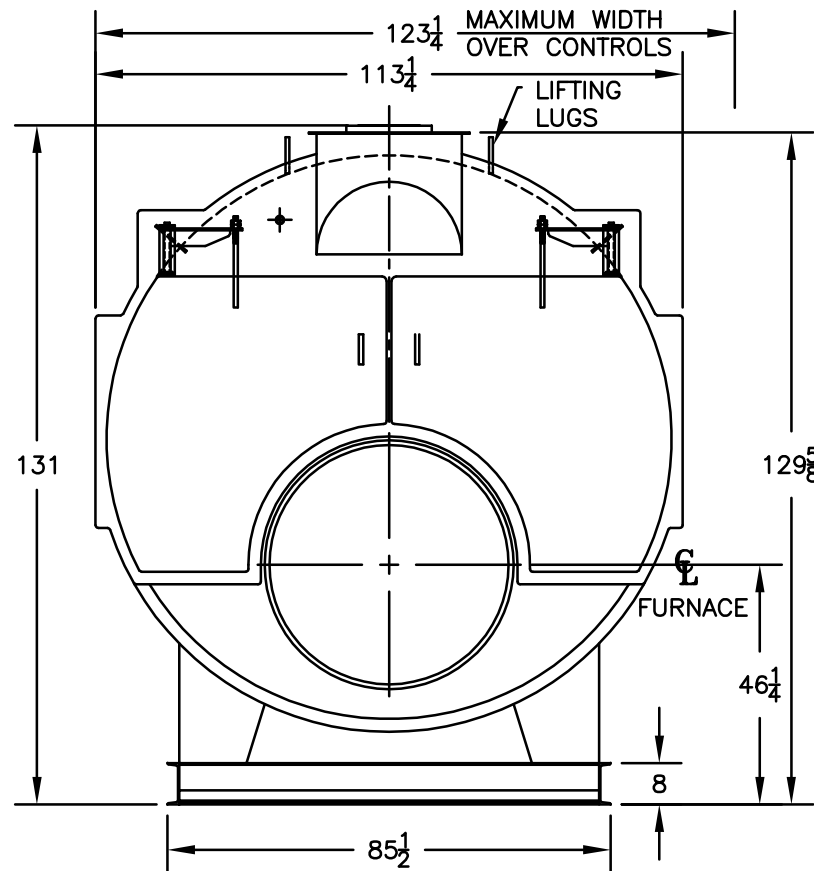
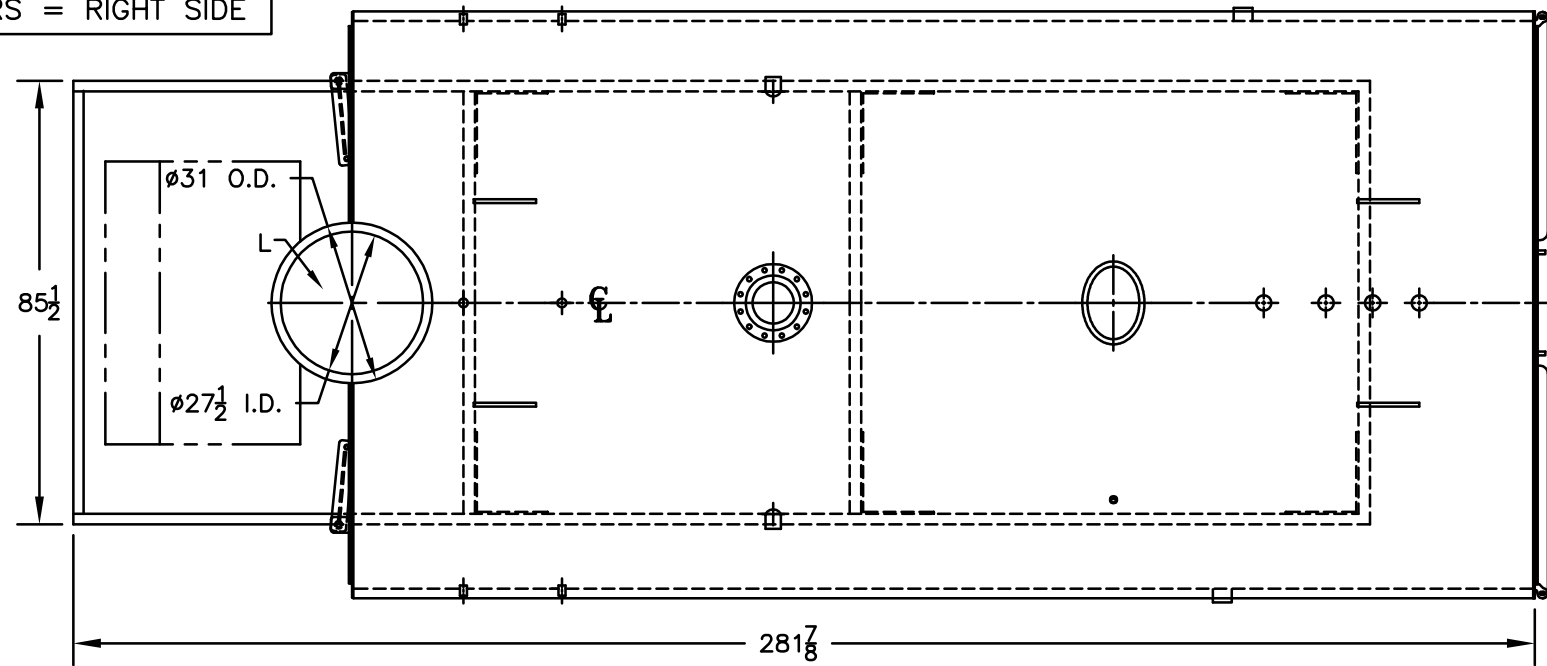
Water Content
 Pounds - 32295
 Gallons (U.S.) - 3872
 Approximate Weight/LBS.
 Dry - 43764
 Wet - 76059

LEGEND CONNECTIONS

- A = 8" FLANGED SUPPLY (300#)
- B = 2-1/2" RETURN
- C = 3" x 4" HANDHOLE
- D = 1" WATER COLUMN
- E = 3/4" AQUASTAT
- F = 2" BOTTOM BLOWDOWN
- G = 2" SURFACE BLOWOFF
- H = 2" AUXILIARY CONNECTION
- J = 2" SAFETY VALVE (3)
- K = 12" X 16" MANHOLE
- L = 28" NOMINAL FLUE DIAMETER

LEGEND

BS = BOTH SIDES
 RS = RIGHT SIDE



NOTE :
 BURNER EQUIPMENT
 MAY EXTEND BEYOND
 BOILER DIMENSIONS

SPECIFICATIONS SUBJECT TO CHANGE WITHOUT NOTICE ALL CONNECTIONS ARE THREADED UNLESS OTHERWISE SPECIFIED

THIS DOCUMENT CONTAINS CONFIDENTIAL INFORMATION WHICH IS THE PROPERTY OF BURNHAM COMMERCIAL. THIS DOCUMENT MAY NOT BE REPRODUCED, TRANSFERRED OR USED, OR ITS CONTENTS DISCLOSED, WITHOUT THE WRITTEN PERMISSION OF THE OWNER.

MODEL 4SP-700
700 BHP
150 PSI STEAM