

BURNHAM®

Commercial Boilers

RATINGS AND DATA

Shell Diameter : 108"
 Gross Output - BHP : 800
 Gross Output - MBH : 26780
 Gross Output - Lbs/Hr : 27600
 Net Rating - MBH : 21429
 Net Rating - Sq. Ft. : 89288
 Safety Valve - Lbs/Hr. : 31242

Heating Surface - Sq. Ft.
 Fireside - 4000
 Firetubes
 Number - 350
 Diameter - 2.5" O.D.

Firing Rate
 1000 BTU Gas (MBH) - 33475
 140000 BTU/Gal Oil (GPH) - 231.9
 150000 BTU/Gal Oil (GPH) - 216.4

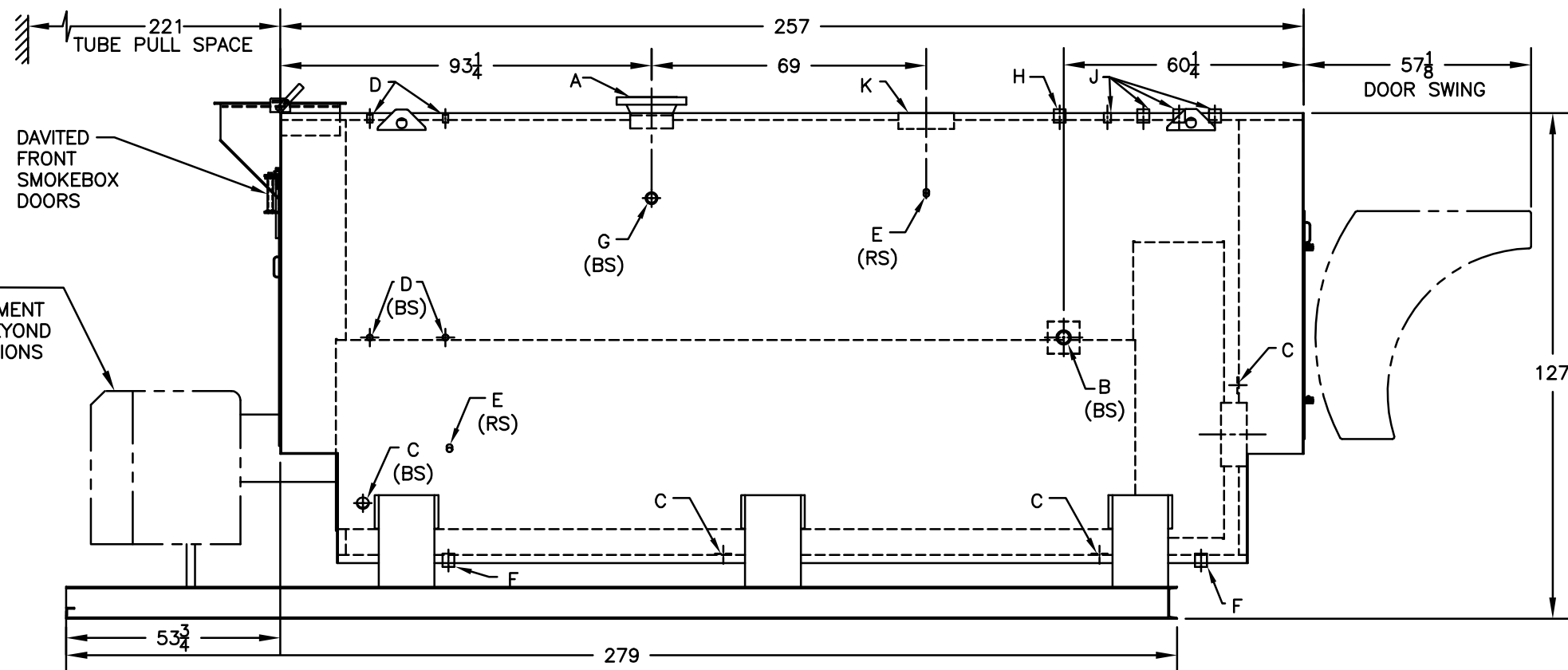
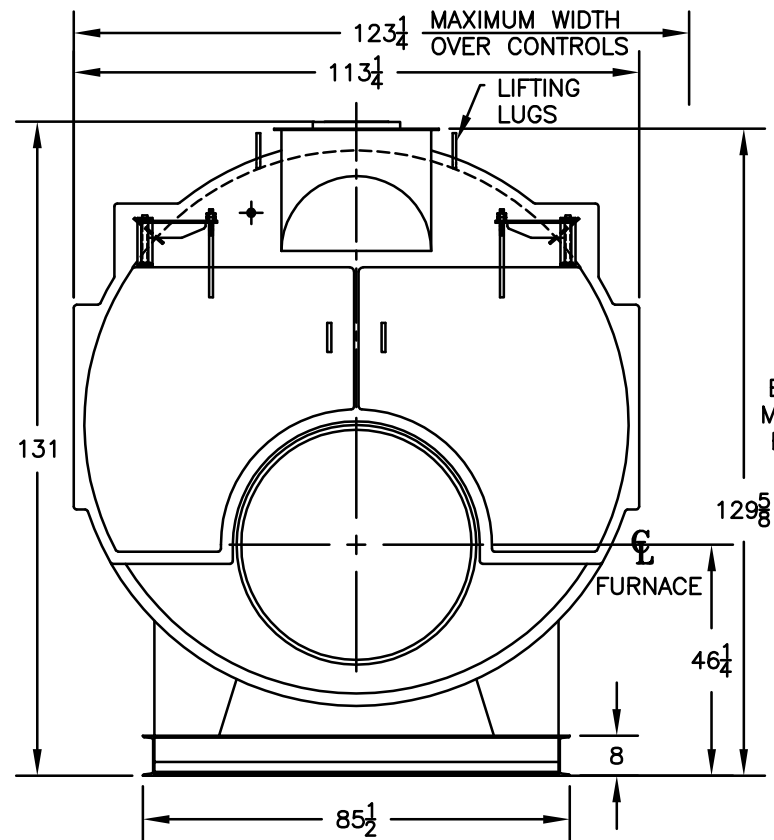
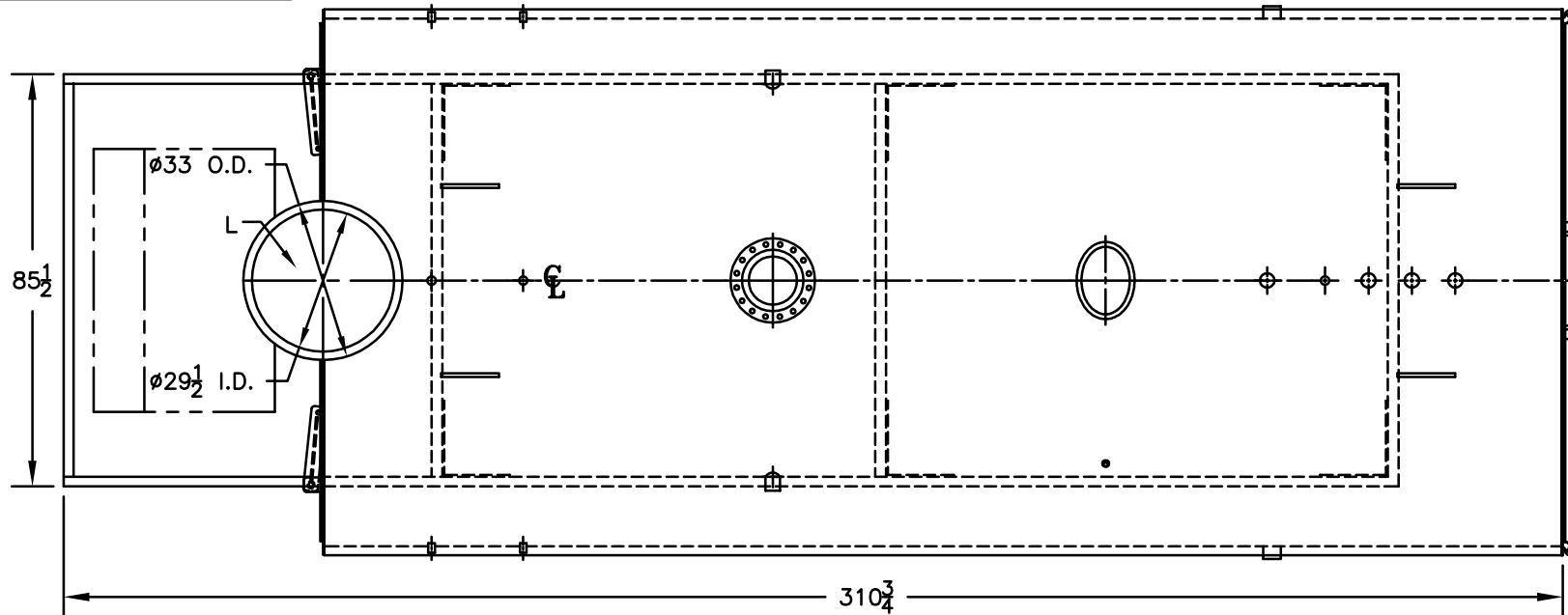
Water Content
 Pounds - 37098
 Gallons (U.S.) - 4447
 Approximate Weight/LBS.
 Dry - 48438
 Wet - 85535

LEGEND CONNECTIONS

- A = 10" FLANGED SUPPLY (300#)
- B = 2-1/2" RETURN
- C = 3" x 4" HANDHOLE
- D = 1" WATER COLUMN
- E = 3/4" AQUASTAT
- F = 2" BOTTOM BLOWDOWN
- G = 2" SURFACE BLOWOFF
- H = 2" AUXILIARY CONNECTION
- J = 1-1/2" SAFETY VALVE (1)
2" SAFETY VALVE (3)
- K = 12" X 16" MANHOLE
- L = 30" NOMINAL FLUE DIAMETER

LEGEND

BS = BOTH SIDES
 RS = RIGHT SIDE



NOTE :
 BURNER EQUIPMENT
 MAY EXTEND BEYOND
 BOILER DIMENSIONS

SPECIFICATIONS SUBJECT TO CHANGE WITHOUT NOTICE ALL CONNECTIONS ARE THREADED UNLESS OTHERWISE SPECIFIED
 THIS DOCUMENT CONTAINS CONFIDENTIAL INFORMATION WHICH IS THE PROPERTY OF BURNHAM COMMERCIAL. THIS DOCUMENT MAY NOT BE REPRODUCED, TRANSFERRED OR USED, OR ITS CONTENTS DISCLOSED, WITHOUT THE WRITTEN PERMISSION OF THE OWNER.

MODEL 4SP-800
800 BHP
150 PSI STEAM