

BURNHAM®

Commercial Boilers

RATINGS AND DATA

Shell Diameter : 70"
 Gross Output - BHP : 158.3
 Gross Output - MBH : 5298
 Net Rating - MBH : 4607
 Relief Valve - Lbs/Hr. : 6000

Heating Surface - Sq. Ft.
 Fireside - 750
 Firetubes
 Number - 120
 Diameter - 2.5" O.D.

Firing Rate
 1000 BTU Gas (MBH) - 6277
 140000 BTU/Gal Oil (GPH) - 43.3
 150000 BTU/Gal Oil (GPH) - 40.4

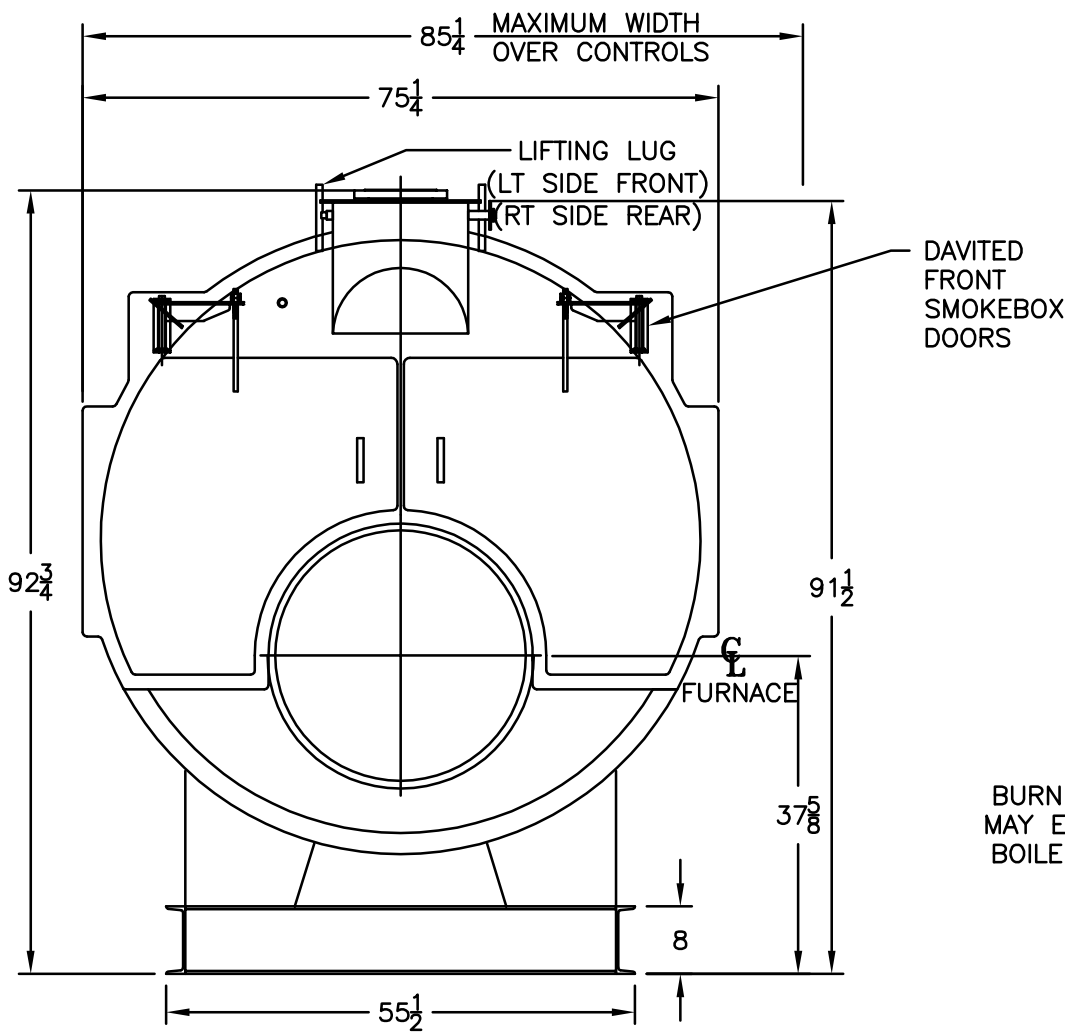
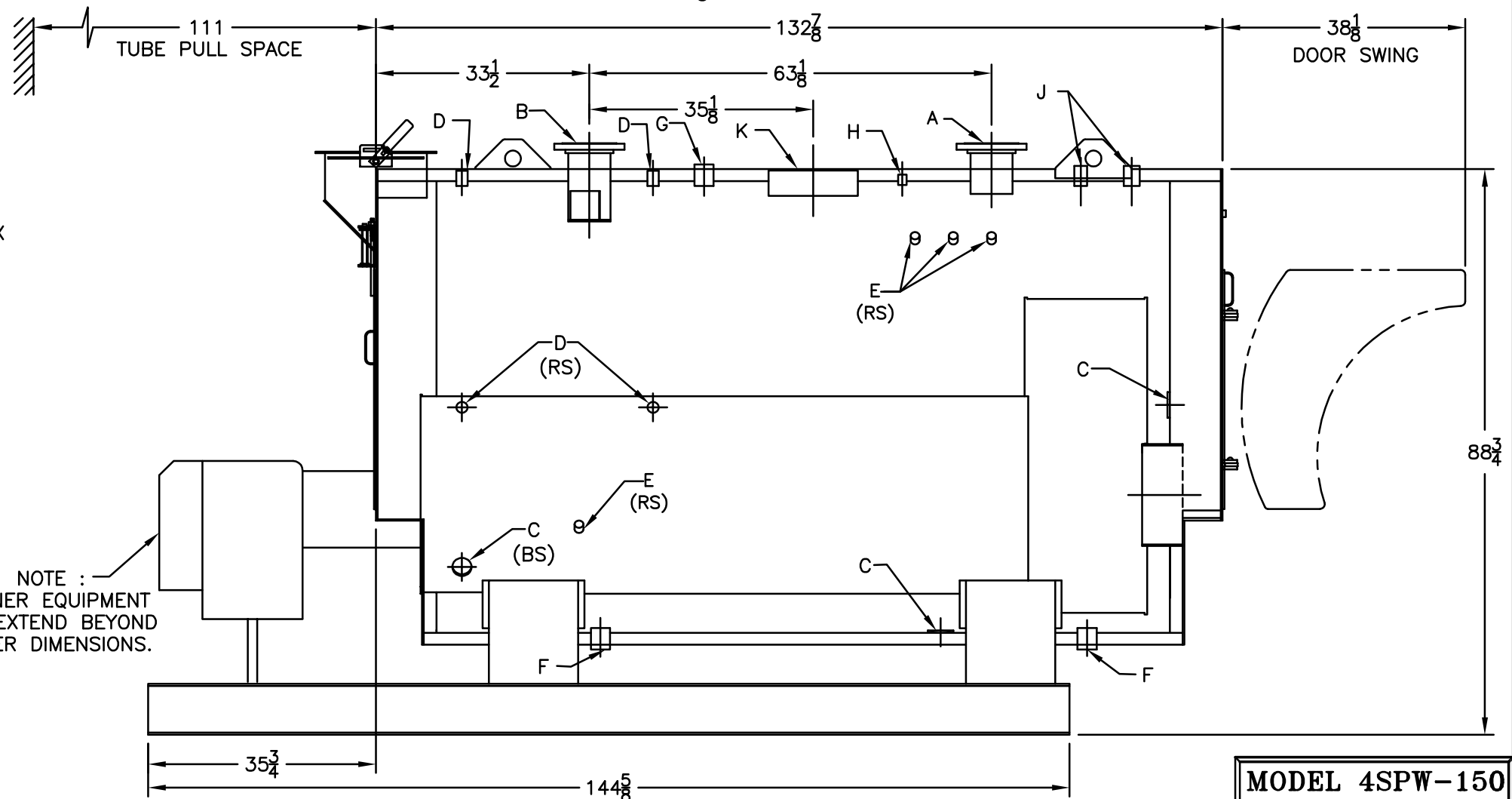
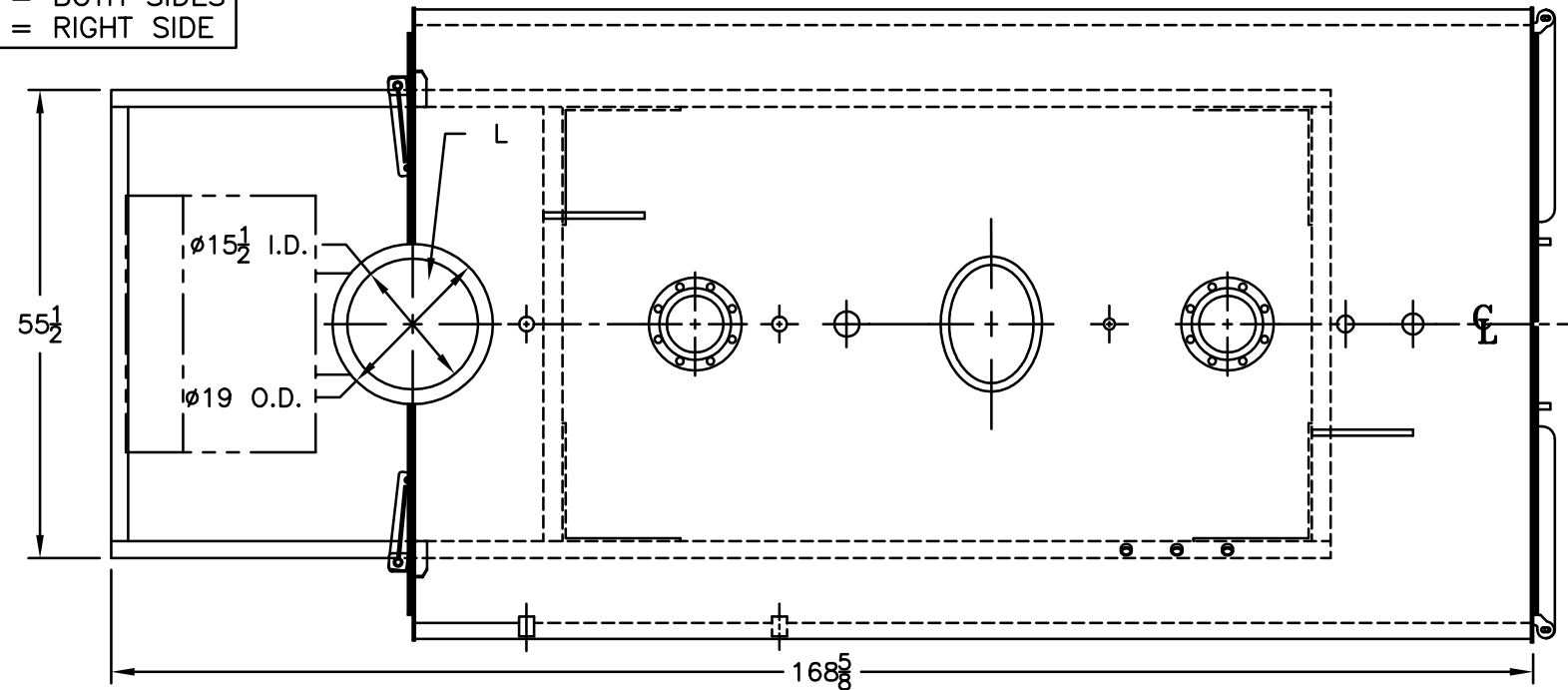
Water Content
 Pounds - 9800
 Gallons (U.S.) - 1175
 Approximate Weight/LBS.
 Dry - 12100
 Wet - 21900

LEGEND CONNECTIONS

- A = 6" FLANGED SUPPLY (150#)
- B = 6" FLANGED RETURN (150#)
- C = 3" x 4" HANDHOLE
- D = 1" WATER COLUMN
- E = 3/4" AQUASTAT
- F = 2" BOTTOM DRAIN
- G = 2" AUXILIARY CONNECTION
- H = 3/4" GAUGE CONNECTION
- J = 2" RELIEF VALVE
1-1/2" RELIEF VALVE
- K = 12" X 16" MANHOLE
- L = 16" NOMINAL FLUE DIAMETER

LEGEND

- BS = BOTH SIDES
- RS = RIGHT SIDE



NOTE :
 BURNER EQUIPMENT
 MAY EXTEND BEYOND
 BOILER DIMENSIONS.

SPECIFICATIONS SUBJECT TO CHANGE WITHOUT NOTICE
 ALL CONNECTIONS ARE THREADED UNLESS OTHERWISE SPECIFIED

MODEL 4SPW-150
158.3 BHP
125 PSI WATER