

BURNHAM®

Commercial Boilers

RATINGS AND DATA

Shell Diameter : 70"
 Gross Output - BHP : 214.3
 Gross Output - MBH : 7172
 Net Rating - MBH : 6237
 Relief Valve - Lbs/Hr. : 8000

Heating Surface - Sq. Ft.
 Fireside - 1000
 Firetubes
 Number - 120
 Diameter - 2.5" O.D.

Firing Rate
 1000 BTU Gas (MBH) - 8369
 140000 BTU/Gal Oil (GPH) - 58.0
 150000 BTU/Gal Oil (GPH) - 54.1

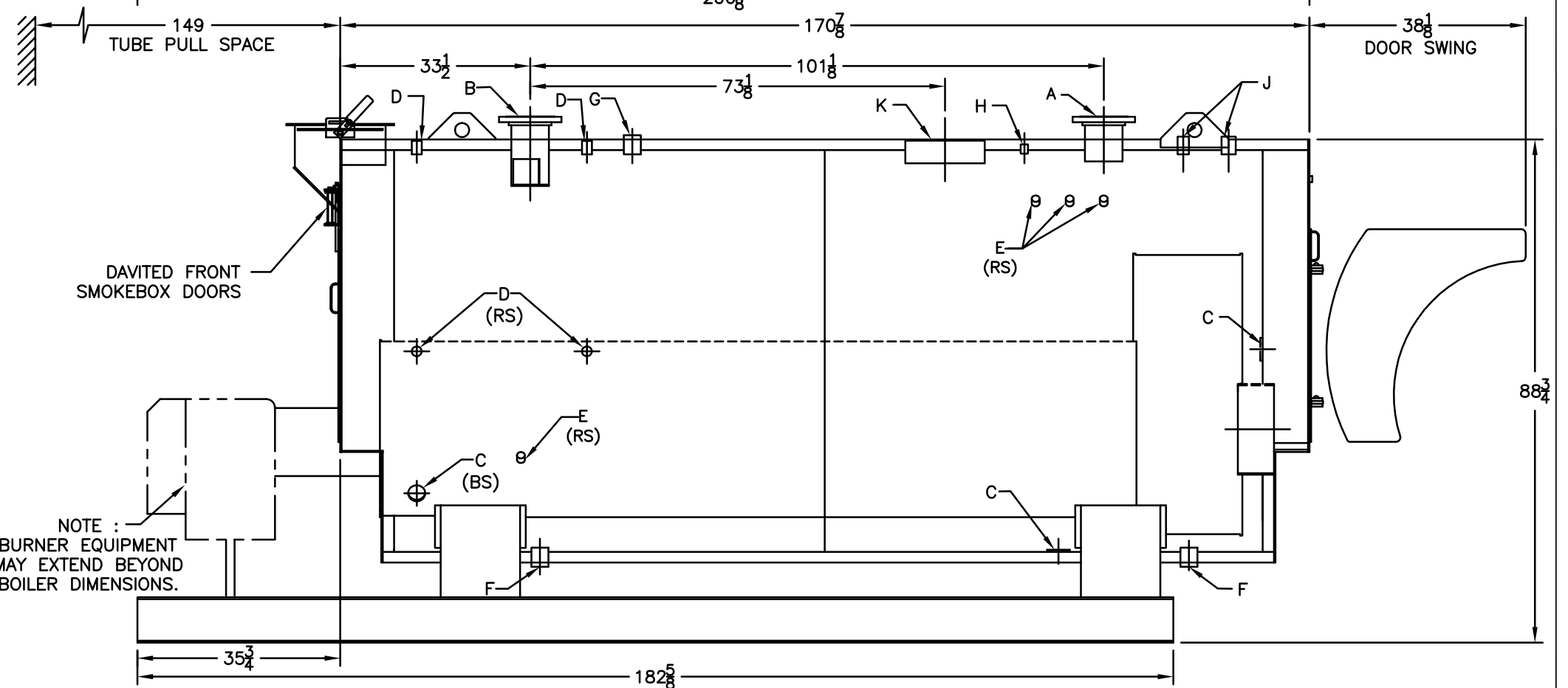
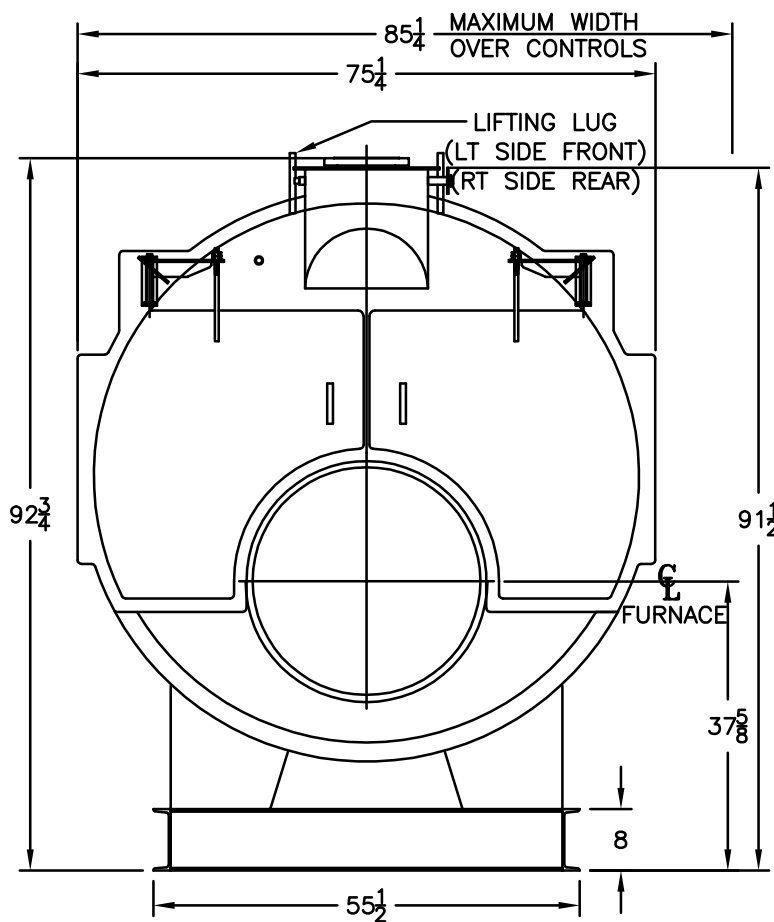
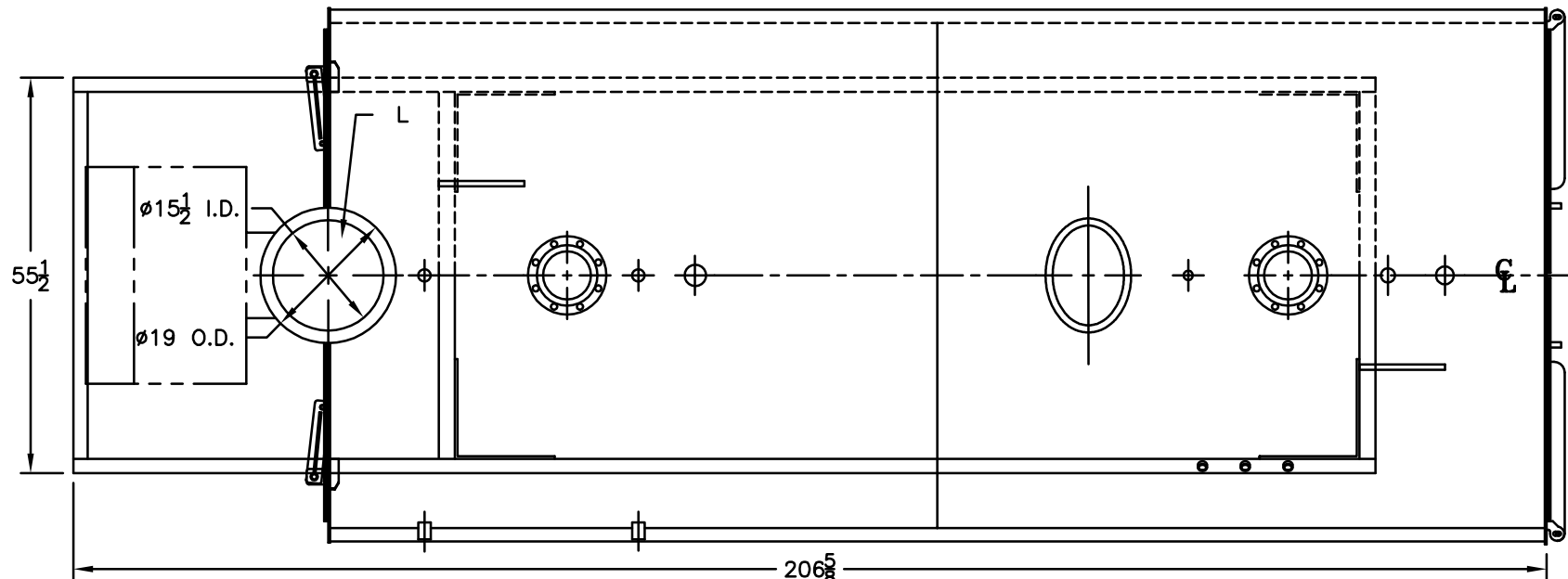
Water Content
 Pounds - 13300
 Gallons (U.S.) - 1594
 Approximate Weight/LBS.
 Dry - 15000
 Wet - 28300

LEGEND

BS = BOTH SIDES
 RS = RIGHT SIDE

LEGEND CONNECTIONS

- A = 6" FLANGED SUPPLY (150#)
- B = 6" FLANGED RETURN (150#)
- C = 3" x 4" HANDHOLE
- D = 1" WATER COLUMN
- E = 3/4" AQUASTAT
- F = 2" BOTTOM DRAIN
- G = 2" AUXILIARY CONNECTION
- H = 3/4" GAUGE CONNECTION
- J = 2" RELIEF VALVE
- 1-1/2" RELIEF VALVE
- K = 12" X 16" MANHOLE
- L = 16" NOMINAL FLUE DIAMETER



SPECIFICATIONS SUBJECT TO CHANGE WITHOUT NOTICE
 ALL CONNECTIONS ARE THREADED UNLESS OTHERWISE SPECIFIED

MODEL 4SPW-200
214.3 BHP
125 PSI WATER