

# BURNHAM®

## Commercial Boilers

### RATINGS AND DATA

Shell Diameter : 88"  
 Gross Output - BHP : 431.5  
 Gross Output - MBH : 14445  
 Net Rating - MBH : 12561  
 Relief Valve - Lbs/Hr. : 16000

Heating Surface - Sq. Ft.  
 Fireside - 2000  
 Firetubes  
 Number - 200  
 Diameter - 2.5" O.D.

Firing Rate  
 1000 BTU Gas (MBH) - 16738  
 140000 BTU/Gal Oil (GPH) - 115.9  
 150000 BTU/Gal Oil (GPH) - 108.2

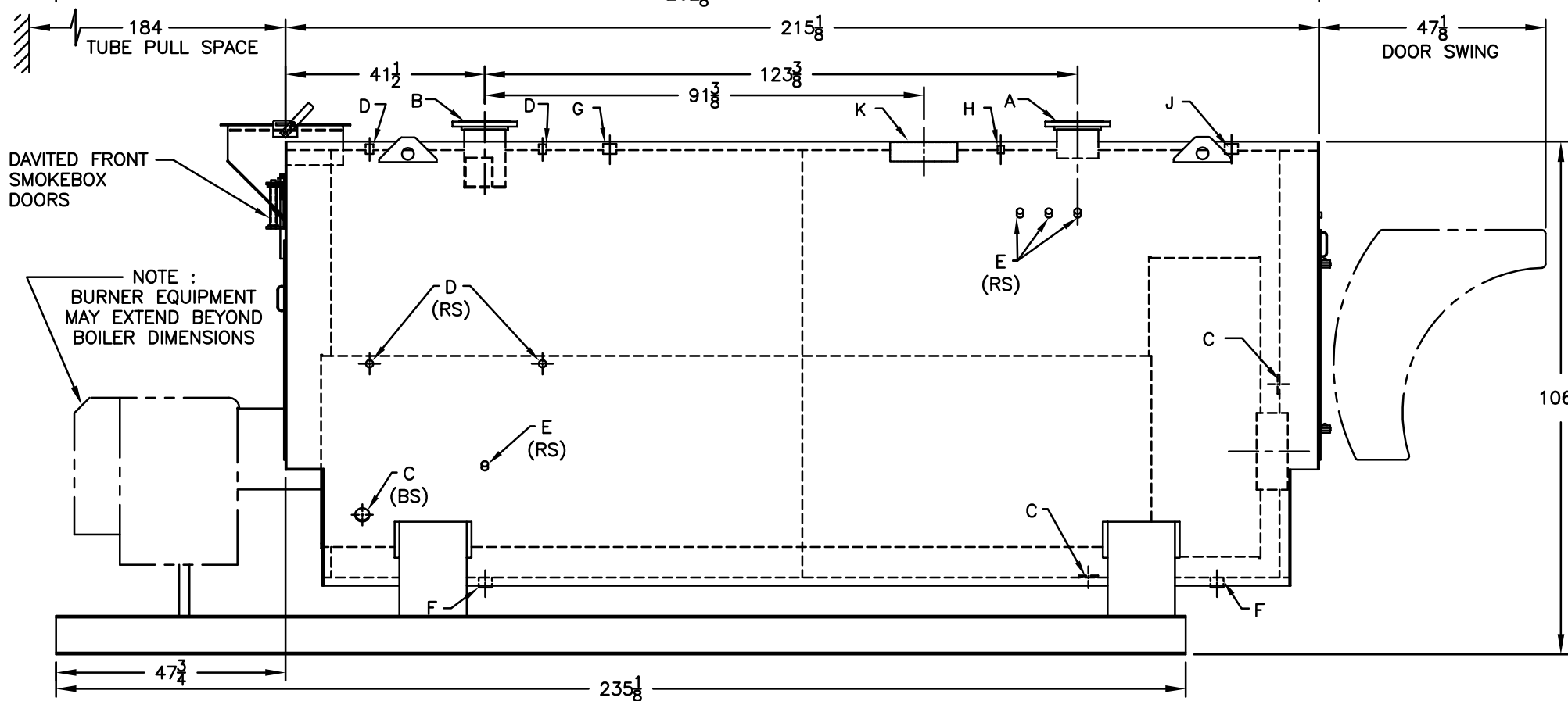
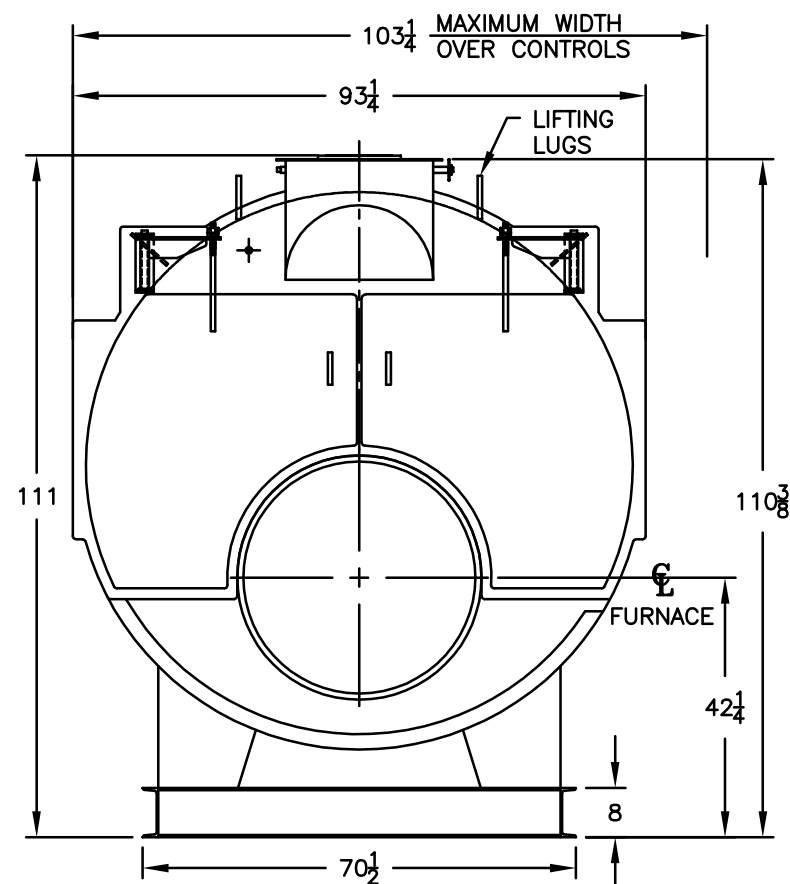
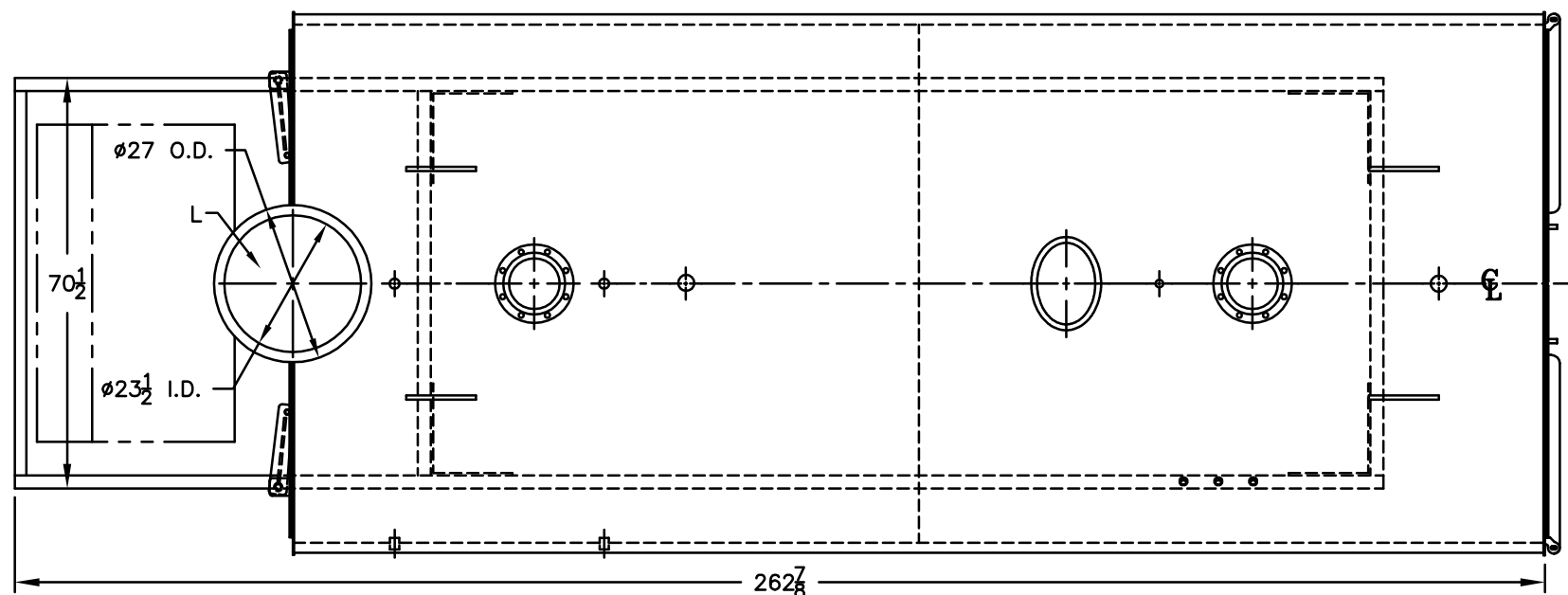
Water Content  
 Pounds - 25400  
 Gallons (U.S.) - 3045  
 Approximate Weight/LBS.  
 Dry - 28600  
 Wet - 54000

### LEGEND CONNECTIONS

- A = 8" FLANGED SUPPLY (150#)
- B = 8" FLANGED RETURN (150#)
- C = 3" x 4" HANDHOLE
- D = 1" WATER COLUMN
- E = 3/4" AQUASTAT
- F = 2" BOTTOM DRAIN
- G = 2" AUXILIARY CONNECTION
- H = 3/4" GAUGE CONNECTION
- J = 2" RELIEF VALVE
- K = 12" X 16" MANHOLE
- L = 24" NOMINAL FLUE DIAMETER

### LEGEND

BS = BOTH SIDES  
 RS = RIGHT SIDE



SPECIFICATIONS SUBJECT TO CHANGE WITHOUT NOTICE  
 ALL CONNECTIONS ARE THREADED UNLESS OTHERWISE SPECIFIED

**MODEL 4SPW-400**  
**431.5 BHP**  
**125 PSI WATER**