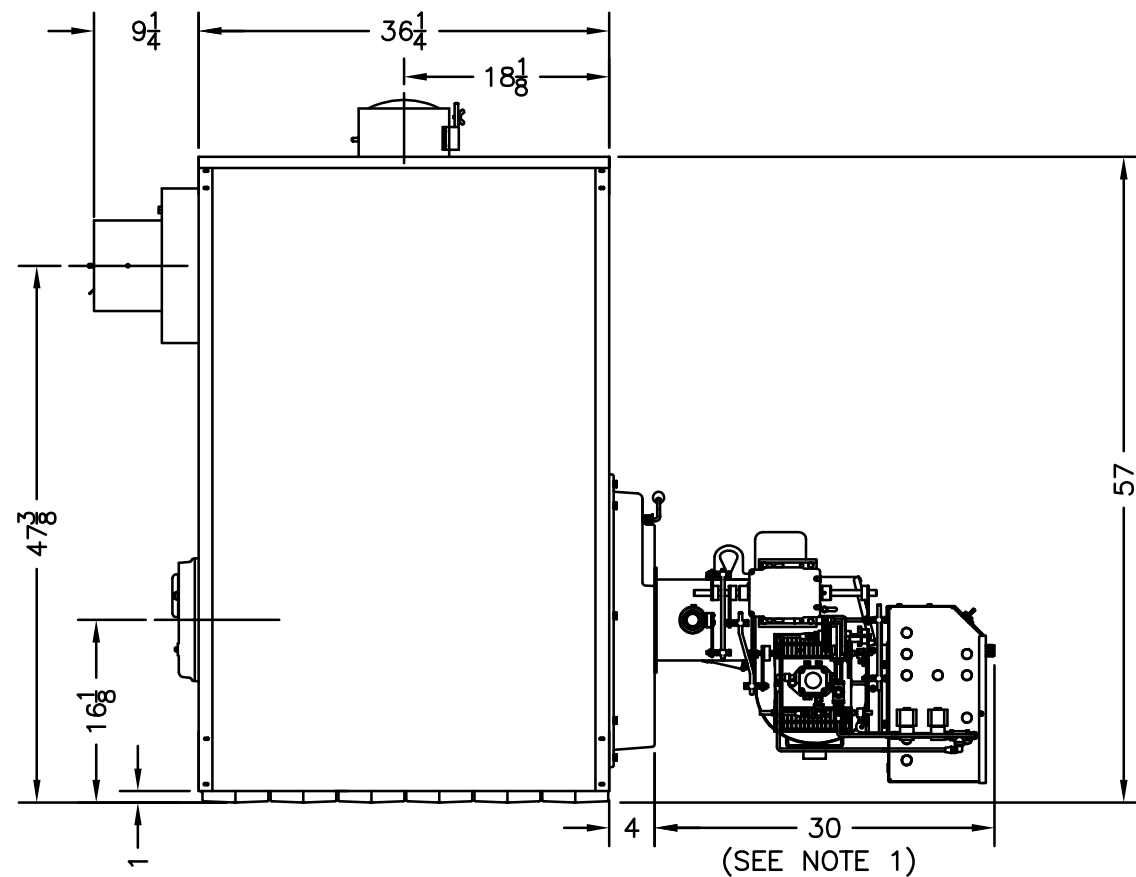
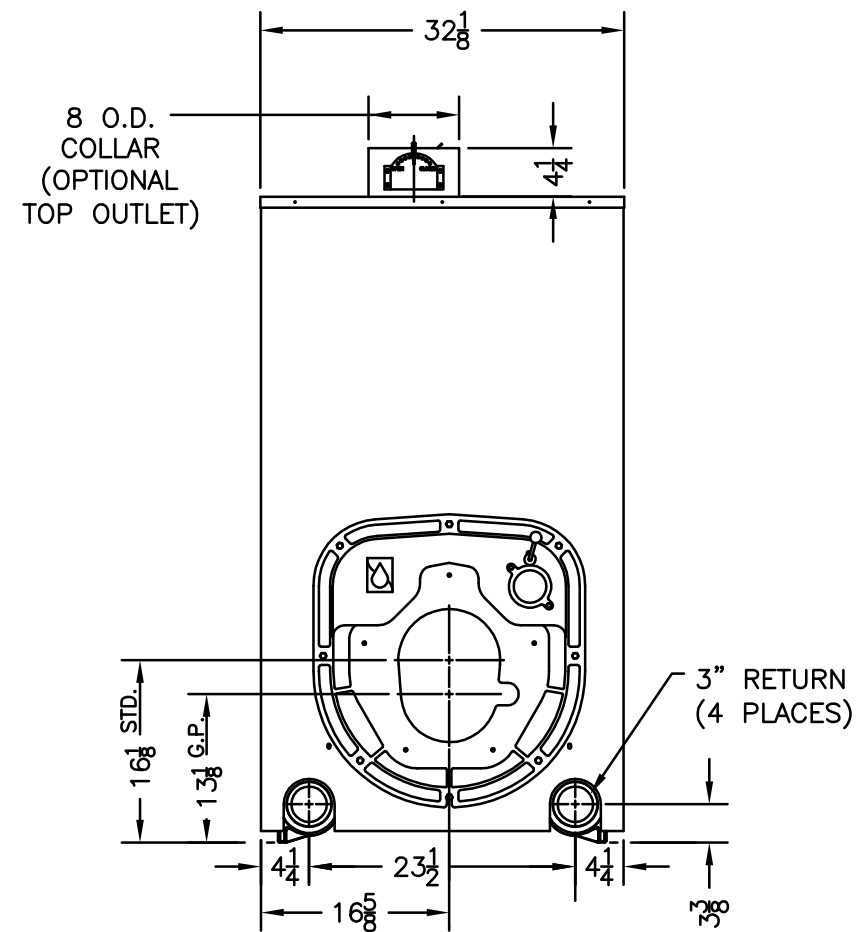


TOP VIEW



LEFT SIDE VIEW
(BURNER INSTALLED)



FRONT VIEW

- NOTES:
1. TYPICAL POWERFLAME 'C' BURNER LENGTH SHOWN. EXACT BURNER DIMENSIONS MAY VARY.
 2. SPECIFICATIONS SUBJECT TO CHANGE WITHOUT NOTICE.

DIMENSIONS IN INCHES, FRACTIONAL TOLERANCES $\pm 1/32"$, ANGULAR TOLERANCES $\pm 1^\circ$, UNLESS OTHERWISE NOTED.			SUPERSEDES		DWG. DATE 12/18/08	
			DRAWING TITLE DIMENSIONAL DRAWING V906A STEAM BOILER		DRAWING NO. TS-91-234-B	
			DRAWN EAB	CHECKED	DESIGNED	APPROVED RLW