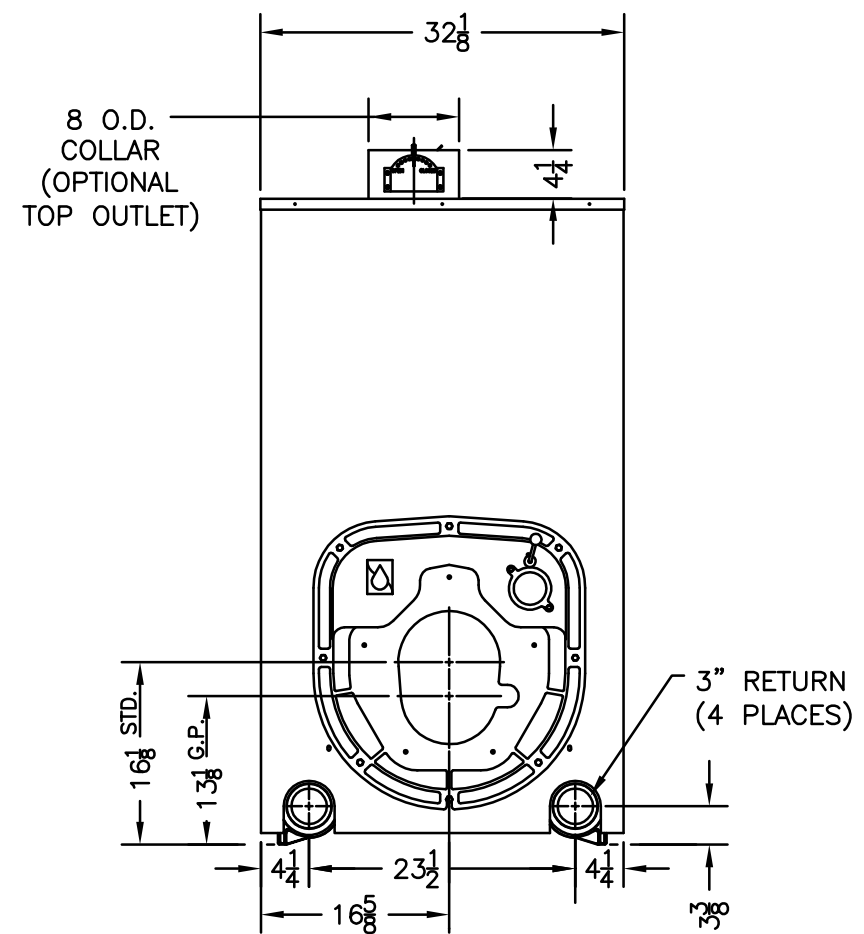


LEFT SIDE VIEW
(BURNER INSTALLED)



FRONT VIEW

NOTES:

1. TYPICAL POWERFLAME 'C' BURNER LENGTH SHOWN. EXACT BURNER DIMENSIONS MAY VARY.
2. SPECIFICATIONS SUBJECT TO CHANGE WITHOUT NOTICE.

DIMENSIONS IN INCHES, FRACTIONAL TOLERANCES $\pm 1/32"$, ANGULAR TOLERANCES $\pm 1^\circ$, UNLESS OTHERWISE NOTED.			SUPERSEDES		DWG. DATE 12/17/08
BURNHAM Commercial Boilers			DRAWING TITLE		DRAWING NO.
			DIMENSIONAL DRAWING V906A WATER BOILER 20°F OR 40°F TEMPERATURE RISE		TS-91-224-B
DRAWN EAB	CHECKED	DESIGNED	APPROVED RLW	RELEASED	DWG. SCALE 1/16"=1"
					REV. LEVEL