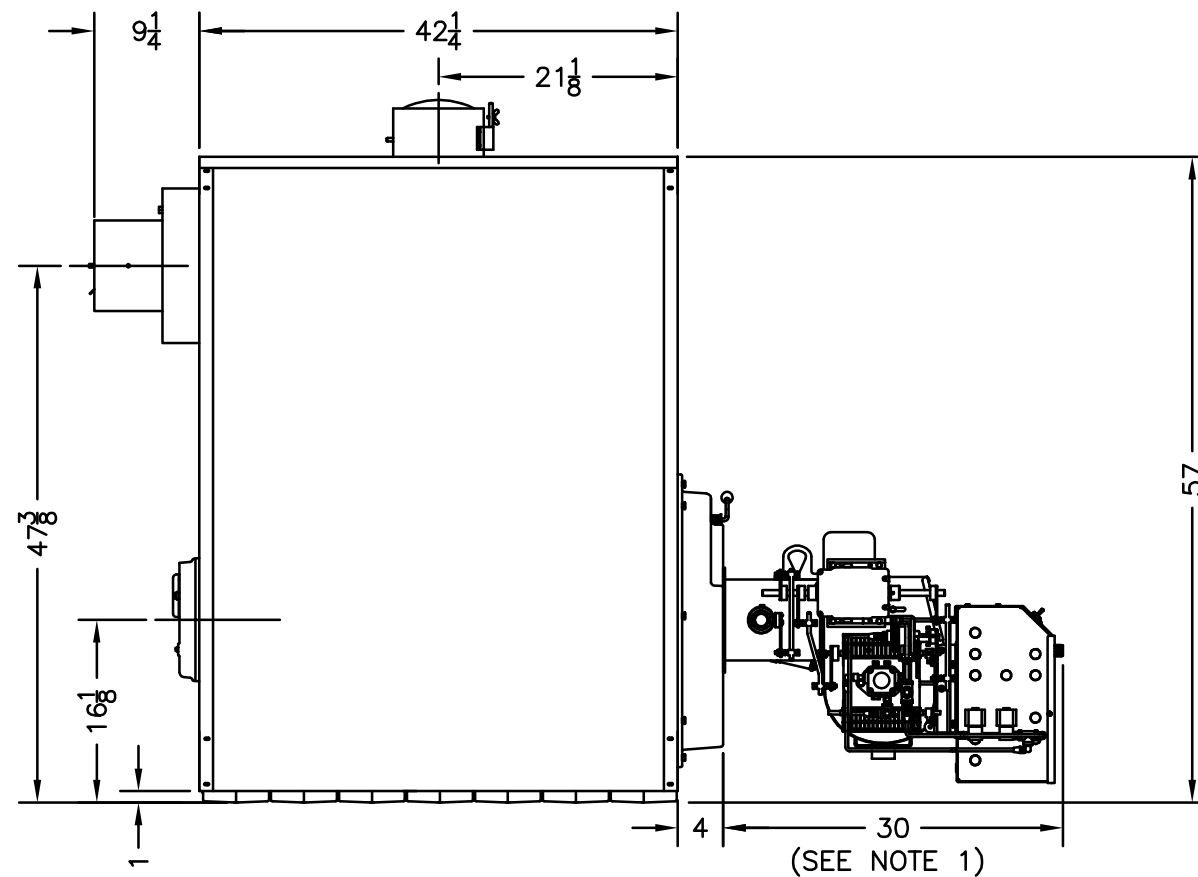
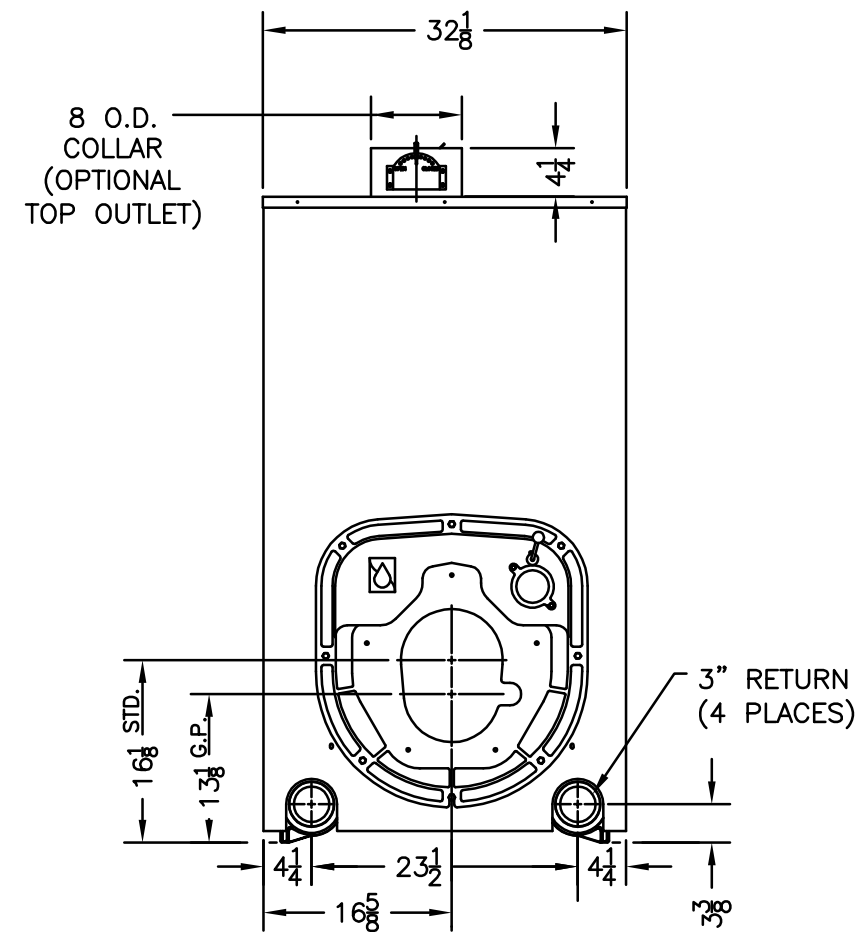


TOP VIEW



LEFT SIDE VIEW  
(BURNER INSTALLED)



FRONT VIEW

NOTES:

1. TYPICAL POWERFLAME 'C' BURNER LENGTH SHOWN. EXACT BURNER DIMENSIONS MAY VARY.
2. SPECIFICATIONS SUBJECT TO CHANGE WITHOUT NOTICE.

DIMENSIONS IN INCHES, FRACTIONAL TOLERANCES $\pm 1/32"$ , ANGULAR TOLERANCES $\pm 1^\circ$ , UNLESS OTHERWISE NOTED.			SUPERSEDES			DWG. DATE 12/17/08
			DRAWING TITLE			DRAWING NO.
			DIMENSIONAL DRAWING V907A WATER BOILER 20°F OR 40°F TEMPERATURE RISE			TS-91-225-B
DRAWN EAB	CHECKED	DESIGNED	APPROVED RLW	RELEASED	DWG. SCALE 1/16"=1"	REV. LEVEL