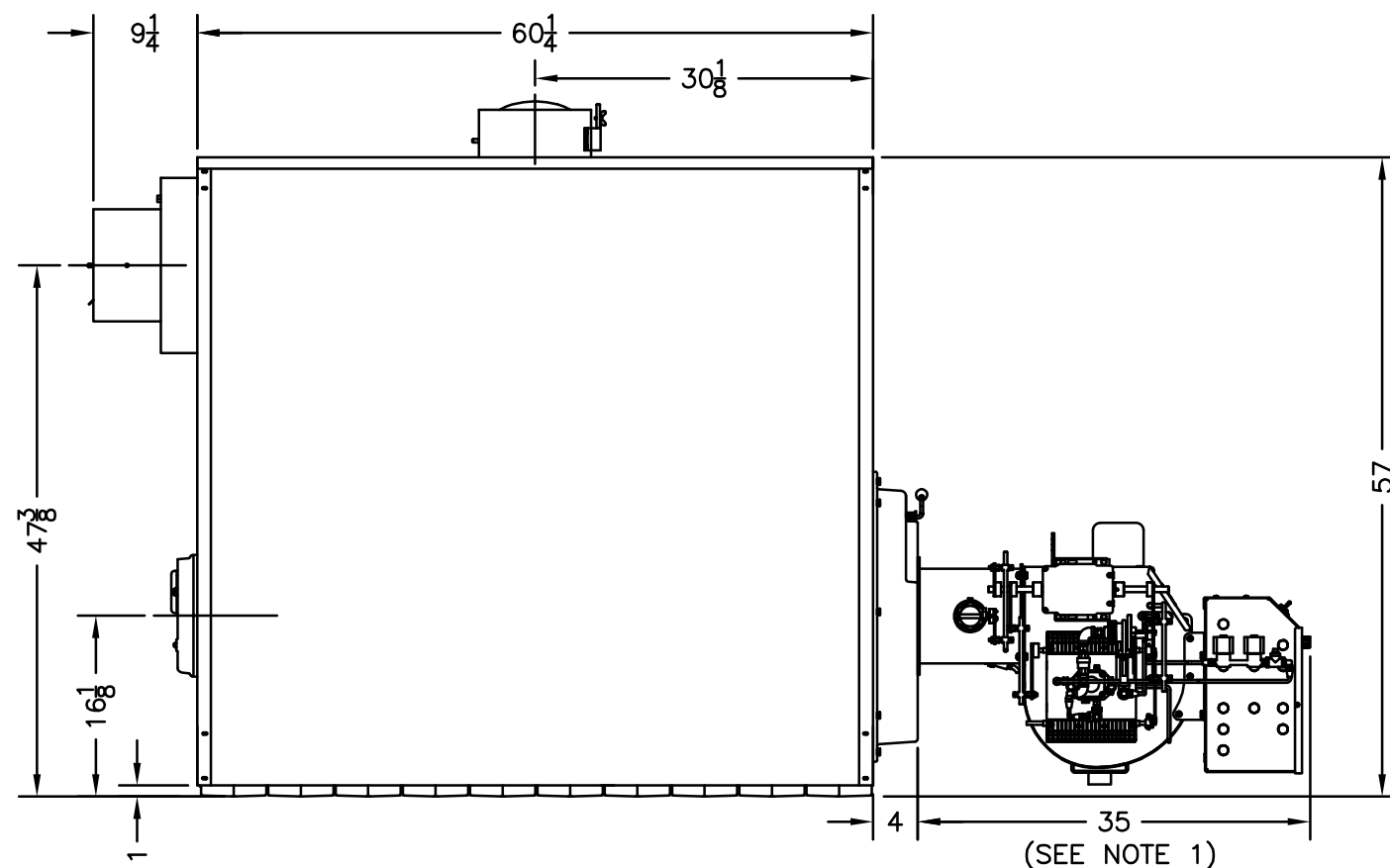
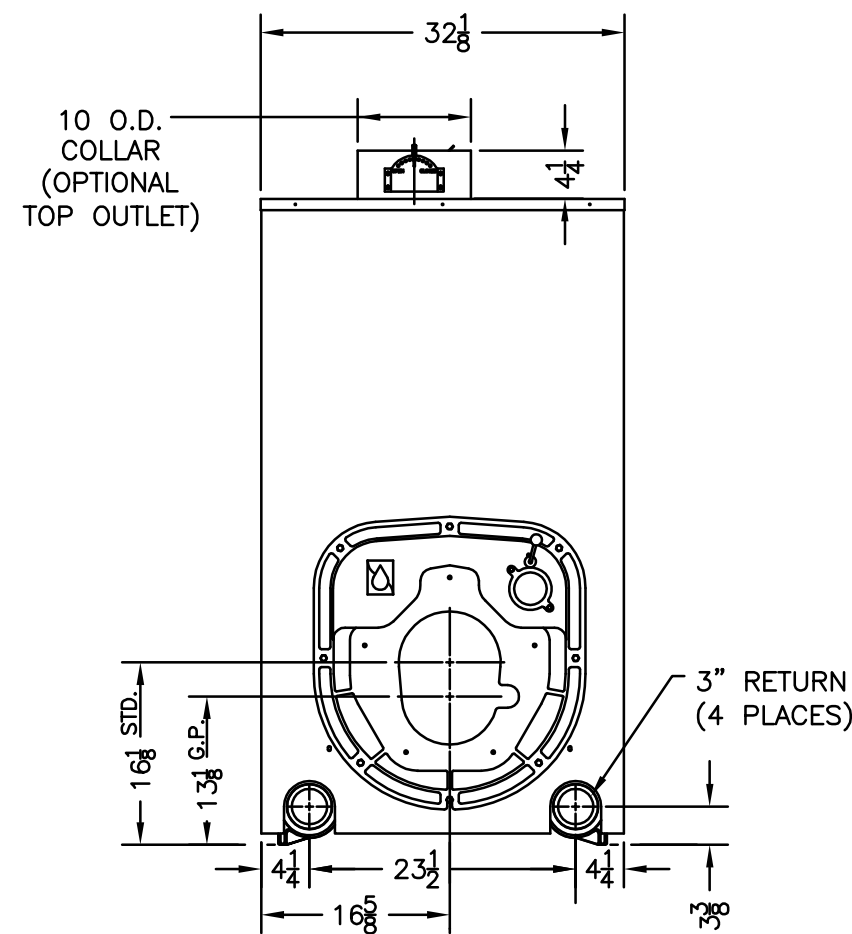


TOP VIEW



LEFT SIDE VIEW
(BURNER INSTALLED)



FRONT VIEW

NOTES:

1. TYPICAL POWERFLAME 'C' BURNER LENGTH SHOWN. EXACT BURNER DIMENSIONS MAY VARY.
2. SPECIFICATIONS SUBJECT TO CHANGE WITHOUT NOTICE.

| | | | | | | |
|--|---------|----------|--|----------|------------------------|-----------------------|
| DIMENSIONS IN INCHES, FRACTIONAL TOLERANCES $\pm 1/32"$, ANGULAR TOLERANCES $\pm 1^\circ$, UNLESS OTHERWISE NOTED. | | | SUPERSEDES | | | DWG. DATE 12/17/08 |
| | | | DRAWING TITLE | | | DRAWING NO. |
| | | | DIMENSIONAL DRAWING V910A WATER BOILER 20°F OR 40°F TEMPERATURE RISE | | | TS-91-228-B |
| DRAWN EAB | CHECKED | DESIGNED | APPROVED RLW | RELEASED | DWG. SCALE 1/16"=1" | REV. LEVEL |