

V11H Series PIPING RECOMMENDATIONS

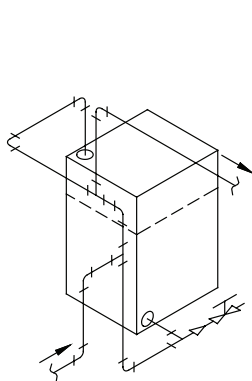


STEAM BOILER

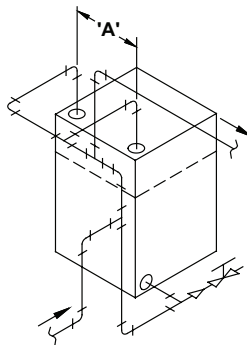
BOILER MODEL	PIPING SIZE IN INCHES				RISER SPACING IN INCHES				
	(1) RISER (QTY.) SIZE	(2) RETURN	(3) HEADER	(4) EQUALIZER	'A'	'B'	'C'	'D'	'E'
V1104H	(1) 4	2	4	2-1/2	—	—	—	—	—
V1105H	(1) 4	2	4	2-1/2	—	—	—	—	—
V1106H	(2) 4	2-1/2	6	2-1/2	31-1/8	—	—	—	—
V1107H	(2) 4	2-1/2	6	2-1/2	37-1/4	—	—	—	—
V1108H	(2) 4	2-1/2	6	2-1/2	43-3/8	—	—	—	—
V1109H	(2) 4	2-1/2	6	2-1/2	49-1/2	—	—	—	—
V1110H	(3) 4	2-1/2	6	2-1/2	24-3/4	30-7/8	—	—	—
V1111H	(3) 4	3	8	4	37	24-3/4	—	—	—
V1112H	(3) 4	3	8	4	37	30-7/8	—	—	—
V1113H	(3) 4	3	8	4	37	37	—	—	—
V1114H	(4) 4	3	8	4	24-3/4	24-1/2	30-7/8	—	—
V1115H	(4) 4	3	8	4	24-3/4	24-1/2	37	—	—
V1116H	(4) 4	3	8	4	30-7/8	36-3/4	24-3/4	—	—
V1117H	(4) 4	3	8	4	30-7/8	36-3/4	30-7/8	—	—
V1118H	(5) 4	3	8	4	30-7/8	24-1/2	24-1/2	24-3/4	—
V1119H	(5) 4	3	10	4	30-7/8	24-1/2	24-1/2	30-7/8	—
V1120H	(5) 4	3	10	4	30-7/8	24-1/2	36-3/4	24-3/4	—
V1121H	(5) 4	3	10	4	30-7/8	24-1/2	36-3/4	30-7/8	—
V1122H	(6) 4	3	10	4	30-7/8	24-1/2	24-1/2	24-1/2	24-3/4
V1123H	(6) 4	3	10	4	30-7/8	24-1/2	24-1/2	24-1/2	30-7/8

NOTES:

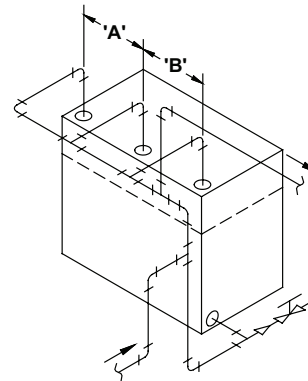
- All piping is schedule 40.
- To prevent condensate from being trapped in header, do not reduce equalizer elbow at header connection.
- Drain/blowoff valve—ball valve preferable, gate valve acceptable alternative (supplied by others).
 - Minimum valve size per ASME code is 1" NPT (V1104H-1106H), 1-1/4" NPT (V1107H-1112H), 1-1/2" NPT (V1113H-1123H).
 - Increasing the valve size will improve the blowdown operation
 - In all cases, piping connecting blowoff valve to boiler shall be full size to the point of discharge.
- Header piping may be run over the top of boiler if space does not allow for piping arrangement shown. However, increased service requirements will result.
- Supply from boiler header must be connected between the first boiler riser and the header drip (or hartford loop). Do not connect supply between risers or opposite end of boiler header.
- For pumped return systems, see V11H installation manual.



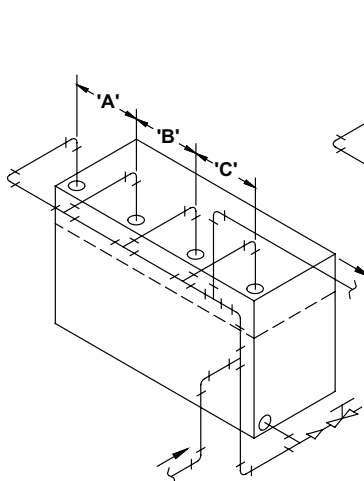
V1104H AND V1105H



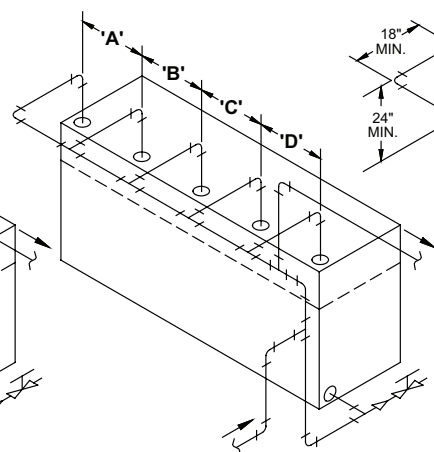
V1106H THRU V1109H



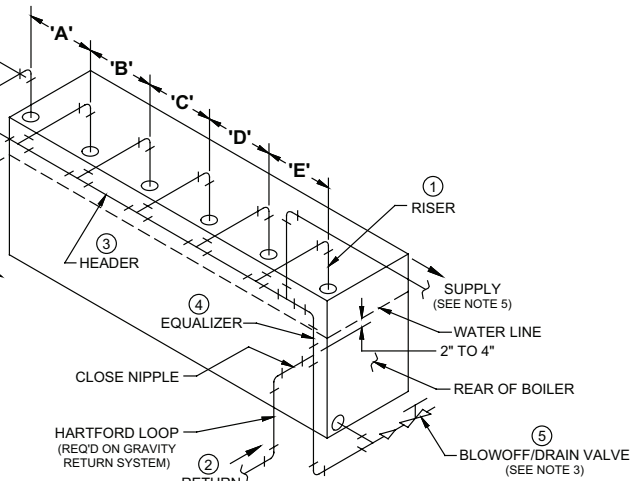
V1110H THRU V1113H



V1114H THRU V1117H



V1118H THRU V1121H



V1122H AND V1123H