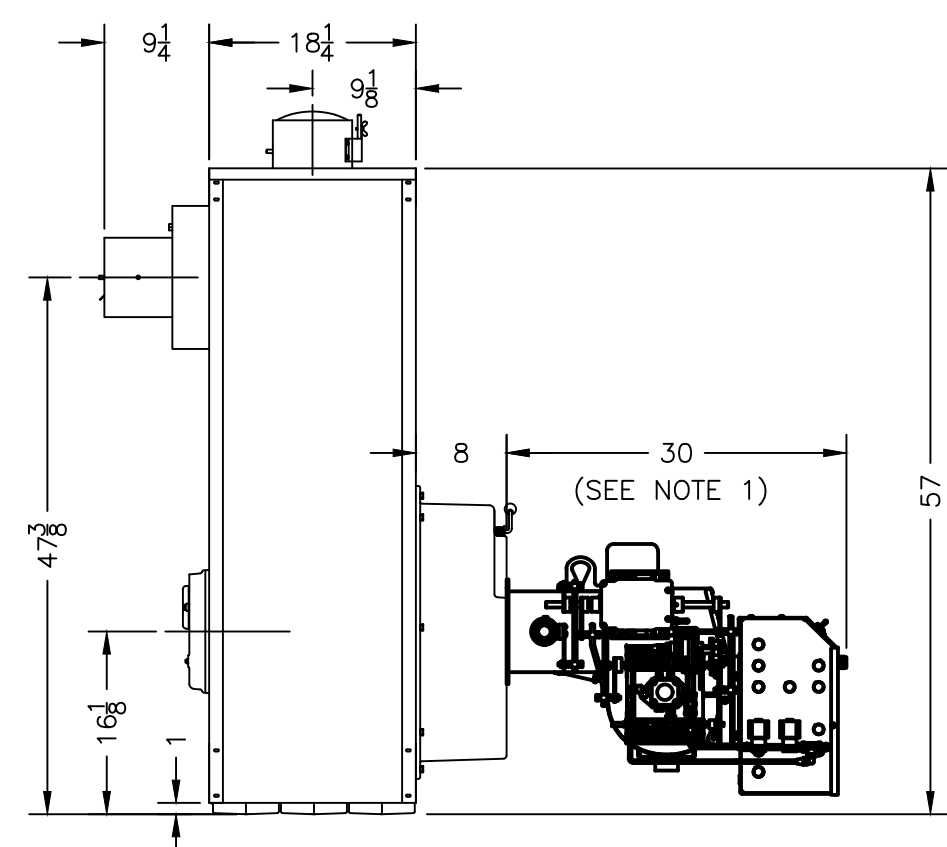
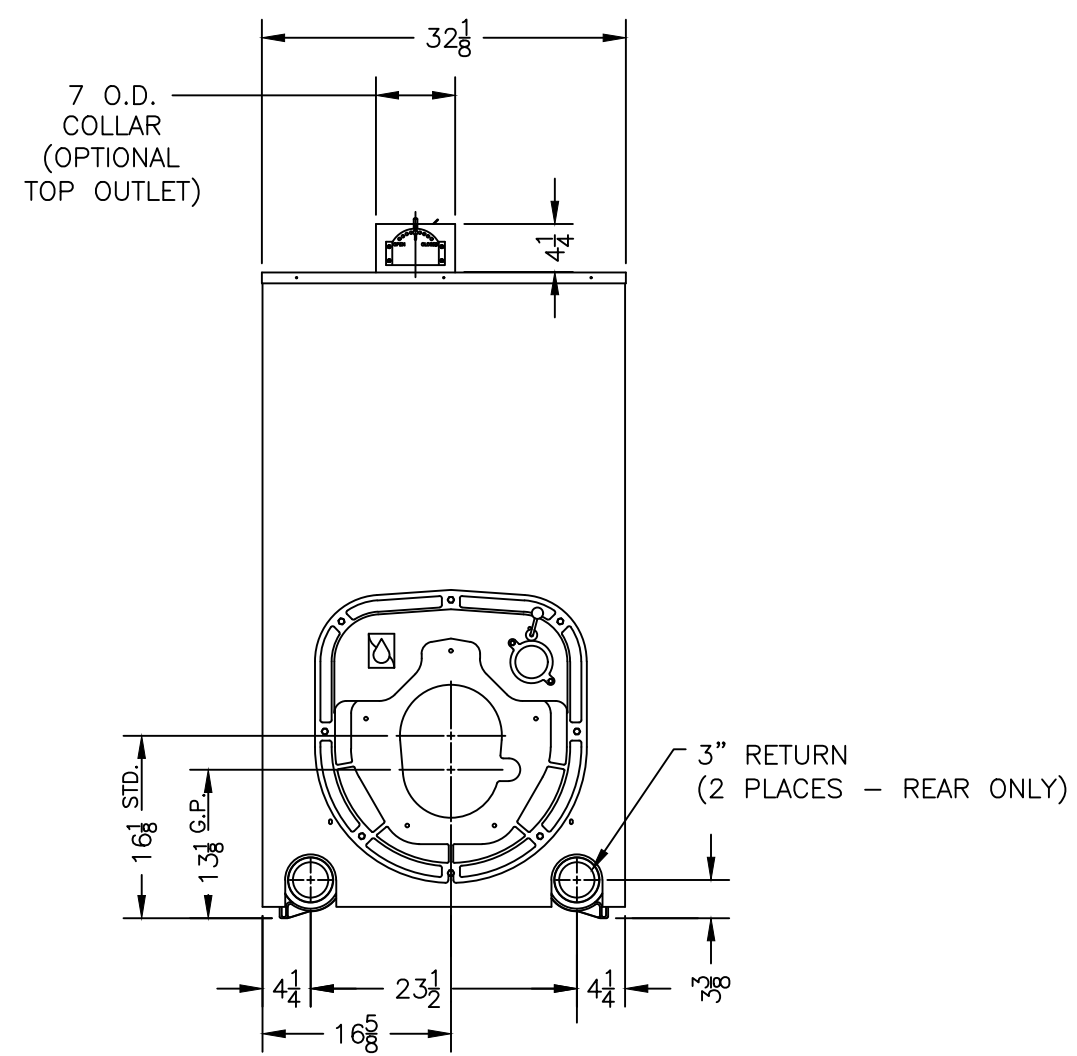


TOP VIEW



LEFT SIDE VIEW
(BURNER INSTALLED)



FRONT VIEW

- NOTES:
1. TYPICAL POWERFLAME BURNER LENGTH SHOWN. EXACT BURNER DIMENSIONS MAY VARY.
 2. SPECIFICATIONS SUBJECT TO CHANGE WITHOUT NOTICE.

APPROVED	DRAWN	REV. A	7/27/21	ADDED PACKAGED BASE & BLOCK BASE LAYERS.	
	RAR			SUPERSEDES	
DIMENSIONS IN INCHES, FRACTIONAL TOLERANCES ±1/32", ANGULAR TOLERANCES ±1°, UNLESS OTHERWISE NOTED.				DWG. DATE 12/17/08	
BURNHAM Commercial Boilers			DRAWING TITLE DIMENSIONAL DRAWING V903A WATER BOILER 20°F OR 40°F TEMPERATURE RISE		DRAWING NO. TS-91-221-B
DRAWN EAB	CHECKED	DESIGNED	APPROVED RLW	RELEASED	DWG. SCALE 1/16"=1"
					REV. LEVEL A2

APPROVED	DRAWN	REV. A2	6/23/22	[FRONT VIEW] 3" RETURN: (2 PLACES - REAR ONLY)
	EJL			(WAS) (4 PLACES). SEE EN. #91-102-15001.