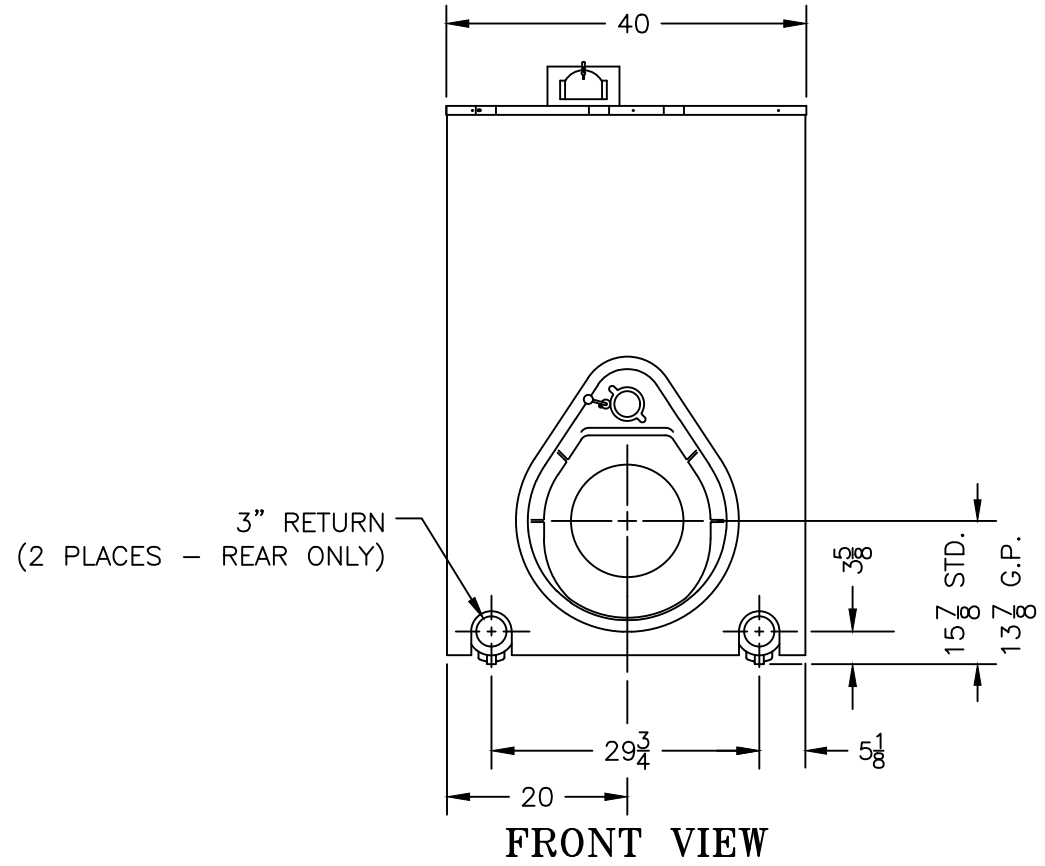
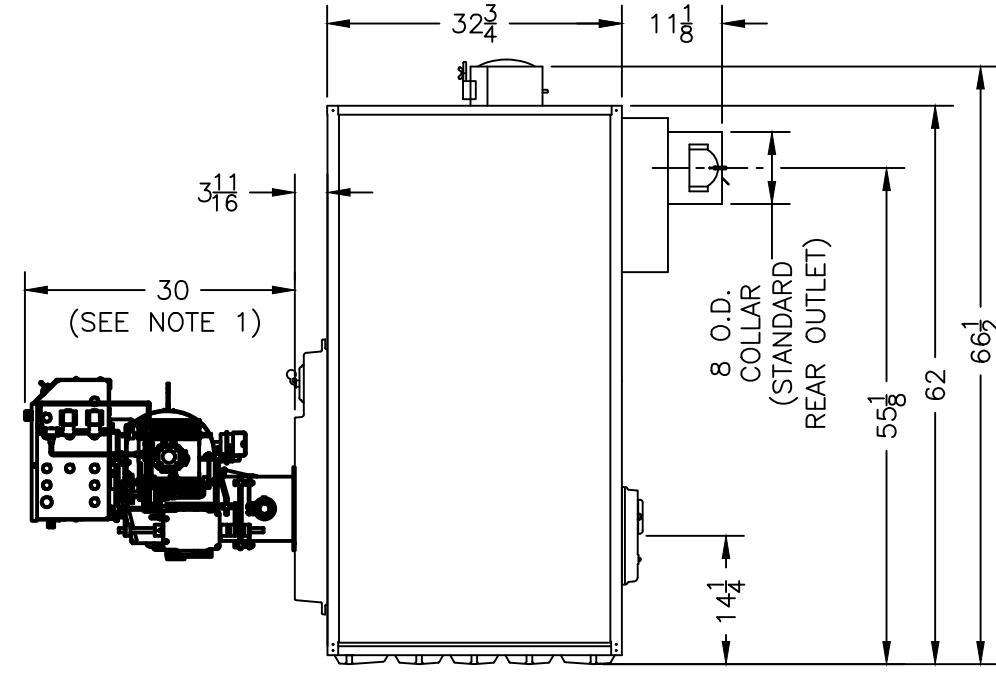


TOP VIEW



FRONT VIEW



RIGHT SIDE VIEW  
(BURNER INSTALLED)

- NOTES:
1. TYPICAL POWER FLAME 'CR' BURNER LENGTH SHOWN. EXACT BURNER DIMENSIONS MAY VARY.
  2. SPECIFICATIONS SUBJECT TO CHANGE WITHOUT NOTICE.

|  |  |  |   |  |  |                           |  |
|--|--|--|---|--|--|---------------------------|--|
| DIMENSIONS IN INCHES, FRACTIONAL TOLERANCES $\pm 1/32"$ , ANGULAR TOLERANCES $\pm 1^\circ$ , UNLESS OTHERWISE NOTED. |  |  | SUPERSEDES  |  |  | DWG. DATE<br>12/22/08     |  |
|  |  |  | DRAWING TITLE<br>DIMENSIONAL DRAWING<br>V1105 WATER BOILER<br>20°F OR 40°F TEMPERATURE RISE |  |  | DRAWING NO.<br>TS-93-65-B |  |
|  |  |  |   |  |  |                           |  |

|          |       |         |         |  |
|----------|-------|---------|---------|--|
| APPROVED | DRAWN | REV. A2 | 6/23/22 | [FRONT VIEW] 3" RETURN: (2 PLACES - REAR ONLY) |
|          | EJL   |         |         | (WAS) (4 PLACES). SEE EN. #93-54-15003.        |
| APPROVED | DRAWN | REV. A  | 6/28/21 | ADDED PACKAGED BASE & BLOCK BASE LAYERS.       |
|          | RAR   |         |         |  |