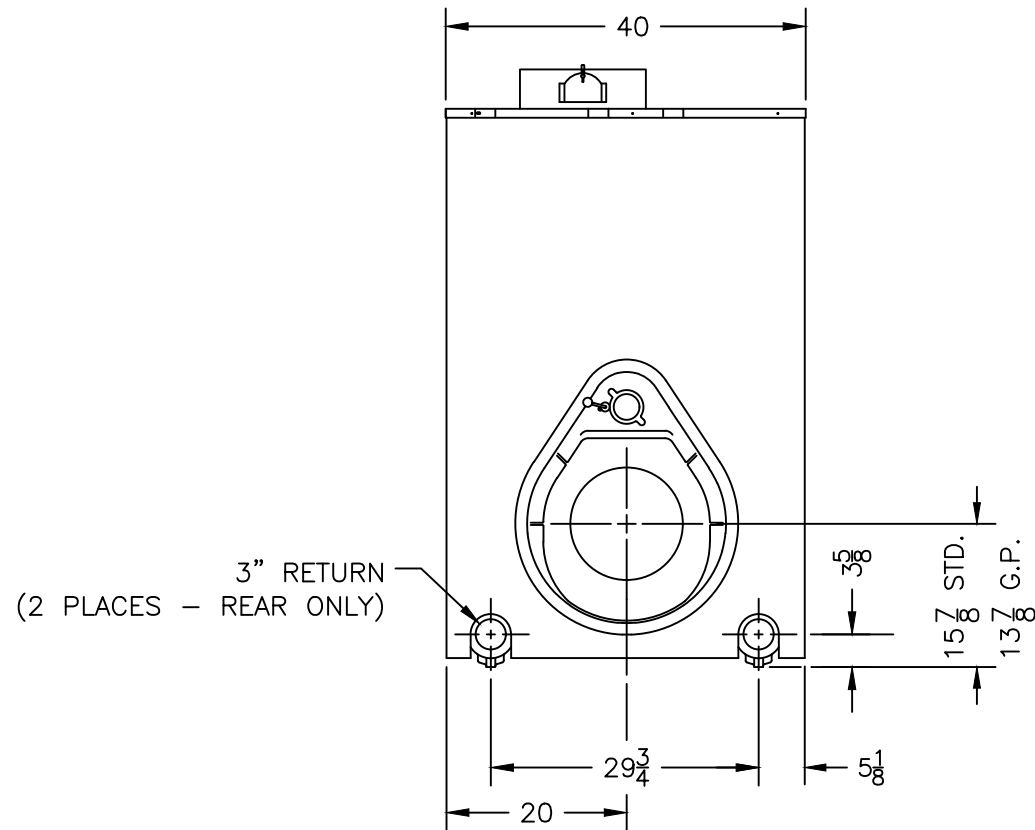
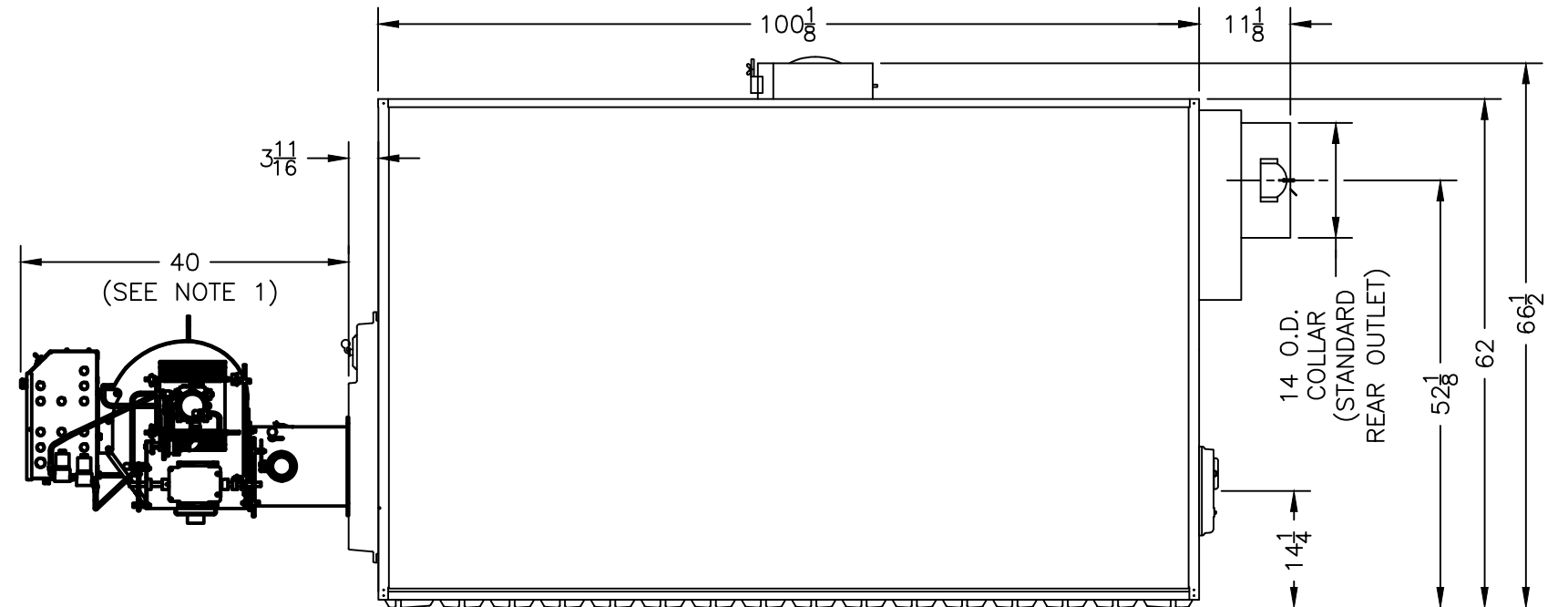


TOP VIEW



FRONT VIEW



RIGHT SIDE VIEW
(BURNER INSTALLED)

NOTES:

1. TYPICAL POWER FLAME 'CR' BURNER LENGTH SHOWN. EXACT BURNER DIMENSIONS MAY VARY.
2. SPECIFICATIONS SUBJECT TO CHANGE WITHOUT NOTICE.
3. SECOND SUPPLY NOT NEEDED FOR 40°F TEMPERATURE RISE APPLICATIONS.

DIMENSIONS IN INCHES, FRACTIONAL TOLERANCES $\pm 1/32"$, ANGULAR TOLERANCES $\pm 1^\circ$, UNLESS OTHERWISE NOTED.		SUPERSEDES		DWG. DATE 12/22/08		
		DRAWING TITLE DIMENSIONAL DRAWING V1116 WATER BOILER 20°F OR 40°F TEMPERATURE RISE		DRAWING NO. TS-93-76-B		
		DRAWN EAB	CHECKED	DESIGNED	APPROVED MZ	RELEASED

APPROVED	DRAWN EJL	REV. A2	6/23/22	[FRONT VIEW] 3" RETURN: (2 PLACES - REAR ONLY)
(WAS) (4 PLACES). SEE EN. #93-54-15003.				
APPROVED	DRAWN RAR	REV. A	7/19/21	ADDED PACKAGED BASE & BLOCK BASE LAYERS.