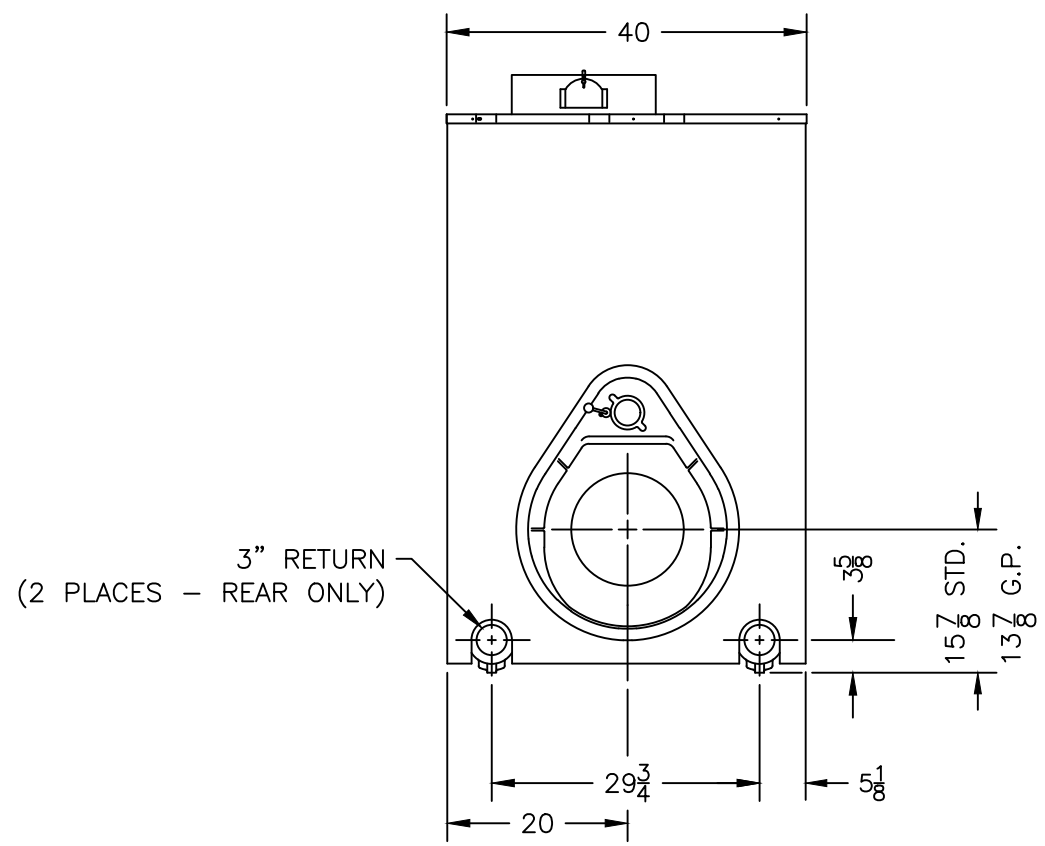
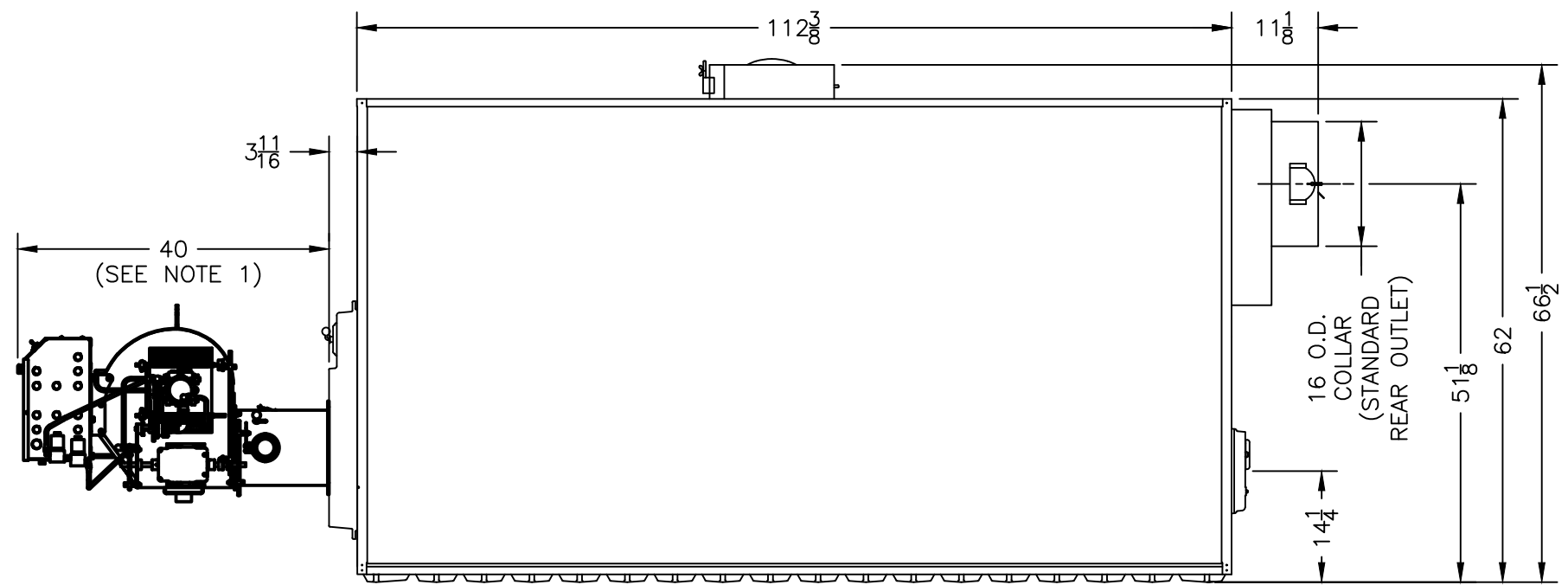


TOP VIEW



FRONT VIEW



RIGHT SIDE VIEW
(BURNER INSTALLED)

- NOTES:
1. TYPICAL POWER FLAME 'CR' BURNER LENGTH SHOWN. EXACT BURNER DIMENSIONS MAY VARY.
 2. SPECIFICATIONS SUBJECT TO CHANGE WITHOUT NOTICE.
 3. SECOND SUPPLY NOT NEEDED FOR 40°F TEMPERATURE RISE APPLICATIONS.

DIMENSIONS IN INCHES, FRACTIONAL TOLERANCES ±1/32", ANGULAR TOLERANCES ±1°, UNLESS OTHERWISE NOTED.		SUPERSEDES		DWG. DATE 12/22/08	
BURNHAM Commercial Boilers		DRAWING TITLE		DRAWING NO.	
		DIMENSIONAL DRAWING V1118 WATER BOILER 20°F OR 40°F TEMPERATURE RISE		TS-93-78-B	
DRAWN EAB	CHECKED	DESIGNED	APPROVED MZ	RELEASED	DWG. SCALE 3/64"=1"
					REV. LEVEL A2

APPROVED	DRAWN EJL	REV. A2	6/23/22	[FRONT VIEW] 3" RETURN: (2 PLACES - REAR ONLY)
(WAS) (4 PLACES). SEE EN. #93-54-15003.				
APPROVED	DRAWN RAR	REV. A	7/20/21	ADDED PACKAGED BASE & BLOCK BASE LAYERS.