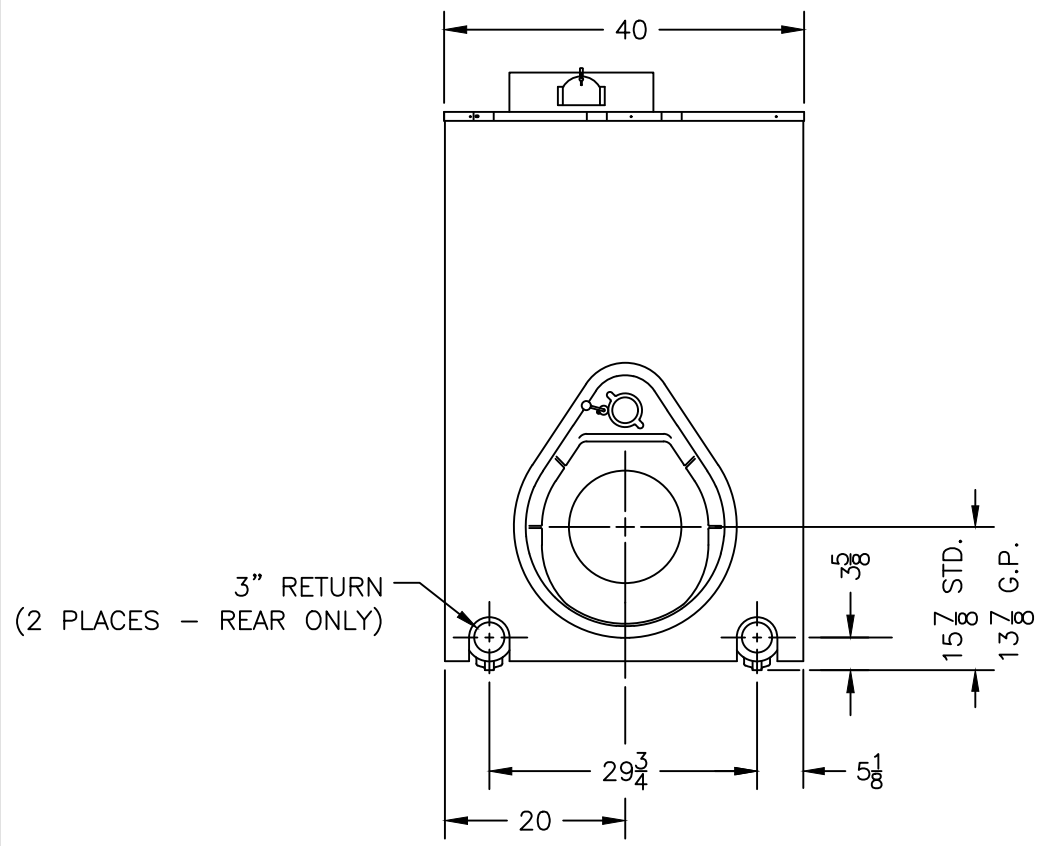
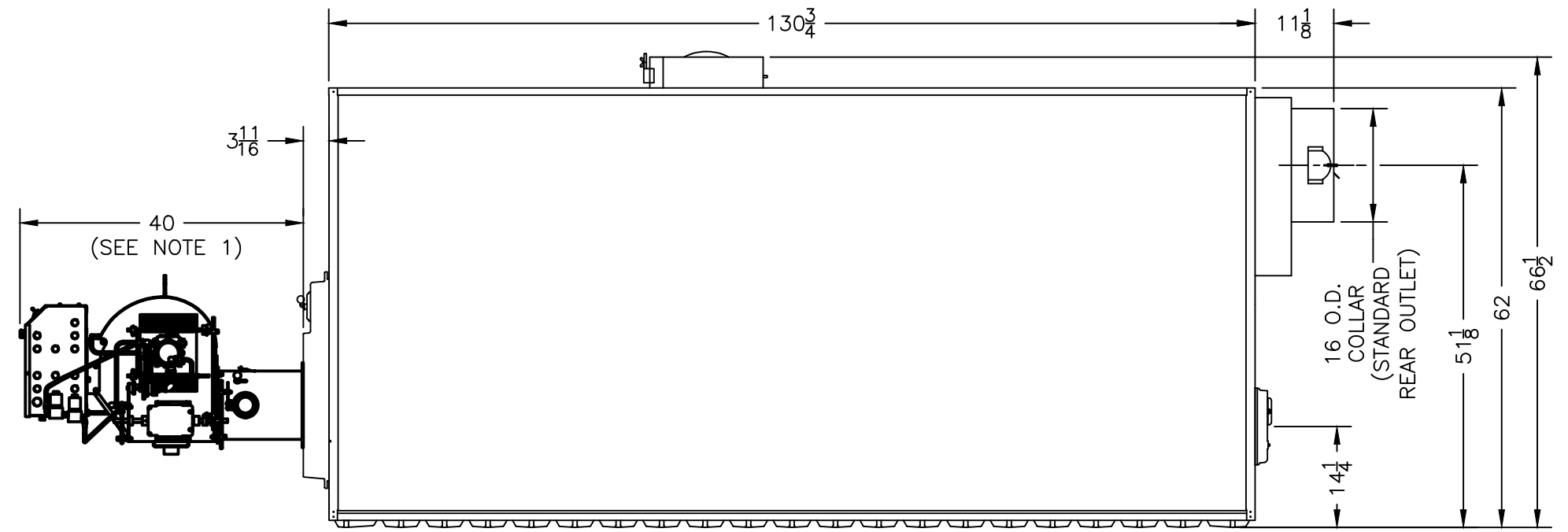


TOP VIEW



FRONT VIEW



RIGHT SIDE VIEW
(BURNER INSTALLED)

- NOTES:
1. TYPICAL POWER FLAME 'CR' BURNER LENGTH SHOWN. EXACT BURNER DIMENSIONS MAY VARY.
 2. SPECIFICATIONS SUBJECT TO CHANGE WITHOUT NOTICE.
 3. SECOND SUPPLY NOT NEEDED FOR 40°F TEMPERATURE RISE APPLICATIONS.

DIMENSIONS IN INCHES, FRACTIONAL TOLERANCES ±1/32", ANGULAR TOLERANCES ±1°, UNLESS OTHERWISE NOTED.		SUPERSEDES		DWG. DATE 12/22/08	
BURNHAM Commercial Boilers		DRAWING TITLE DIMENSIONAL DRAWING V1121 WATER BOILER 20°F OR 40°F TEMPERATURE RISE		DRAWING NO. TS-93-81-B	
		DRAWN EAB	CHECKED	DESIGNED	APPROVED MZ
REV. A2 6/23/22 [FRONT VIEW] 3" RETURN: (2 PLACES - REAR ONLY) (WAS) (4 PLACES). SEE EN. #93-54-15003.		DWG. SCALE 3/64"=1"		REV. LEVEL A2	
REV. A 7/22/21 ADDED PACKAGED BASE & BLOCK BASE LAYERS.					

APPROVED	DRAWN	REV. A2	6/23/22	[FRONT VIEW] 3" RETURN: (2 PLACES - REAR ONLY) (WAS) (4 PLACES). SEE EN. #93-54-15003.
	EJL			
APPROVED	DRAWN	REV. A	7/22/21	ADDED PACKAGED BASE & BLOCK BASE LAYERS.
	RAR			