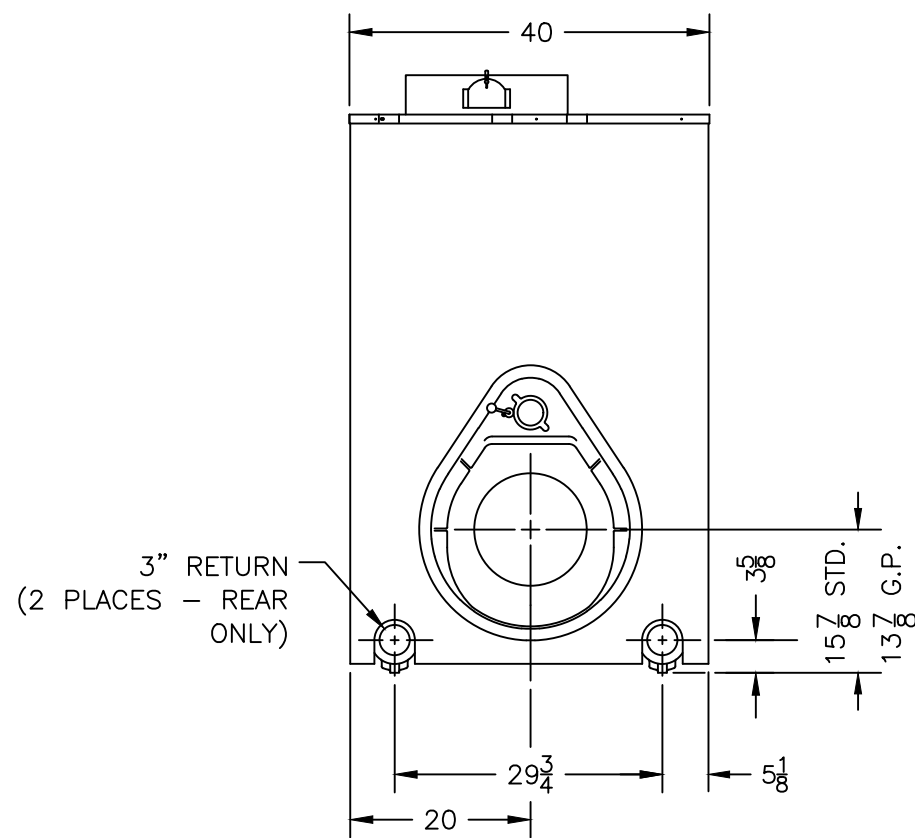
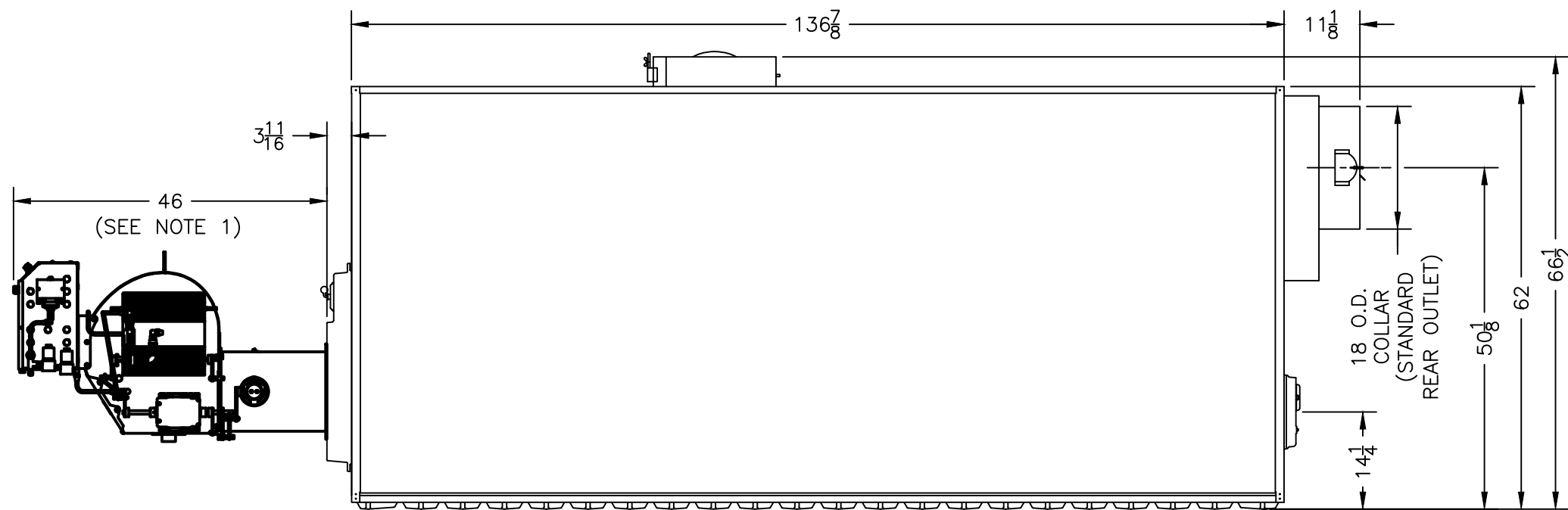


TOP VIEW



FRONT VIEW



RIGHT SIDE VIEW
(BURNER INSTALLED)

NOTES:

1. TYPICAL POWER FLAME 'CR' BURNER LENGTH SHOWN. EXACT BURNER DIMENSIONS MAY VARY.
2. SPECIFICATIONS SUBJECT TO CHANGE WITHOUT NOTICE.
3. SECOND SUPPLY NOT NEEDED FOR 40°F TEMPERATURE RISE APPLICATIONS.

	APPROVED	DRAWN	REV. A2	6/23/22	[FRONT VIEW] 3" RETURN: (2 PLACES - REAR ONLY)
		EJL			(WAS) (4 PLACES). SEE EN. #93-54-15003.
	APPROVED	DRAWN	REV. A	7/23/21	ADDED PACKAGED BASE & BLOCK BASE LAYERS.
		RAR			

DIMENSIONS IN INCHES, FRACTIONAL TOLERANCES $\pm 1/32"$, ANGULAR TOLERANCES $\pm 1^\circ$, UNLESS OTHERWISE NOTED.			SUPERSEDES		DWG. DATE 12/22/08	
BURNHAM Commercial Boilers			DRAWING TITLE DIMENSIONAL DRAWING V1122 WATER BOILER 20°F OR 40°F TEMPERATURE RISE		DRAWING NO. TS-93-82-B	
			DRAWN EAB	CHECKED	DESIGNED	APPROVED MZ