

BURNHAM®

Commercial Boilers

LEGEND CONNECTIONS

- A = 8" FLANGED SUPPLY (150#)
- B = 4" RETURN
- C = 3" x 4" HANDHOLE
- D = 1" WATER COLUMN
- E = 3/4" AQUASTAT
- F = 2" BOTTOM BLOWDOWN
- G = 2" SURFACE BLOWOFF
- H = 2" AUXILIARY CONNECTION
- J = 2-1/2" SAFETY VALVE
- 2" SAFETY VALVE
- K = 12" x 16" MANHOLE
- L = 16" NOMINAL FLUE DIAMETER

RATINGS AND DATA

Shell Diameter : 66"
 Gross Output - BHP : 183.5
 Gross Output - MBH : 6144
 Gross Output - Lbs/Hr : 6333
 Net Rating - MBH : 4770
 Net Rating - Sq. Ft. : 19876
 Safety Valve - Lbs/Hr. : 7000

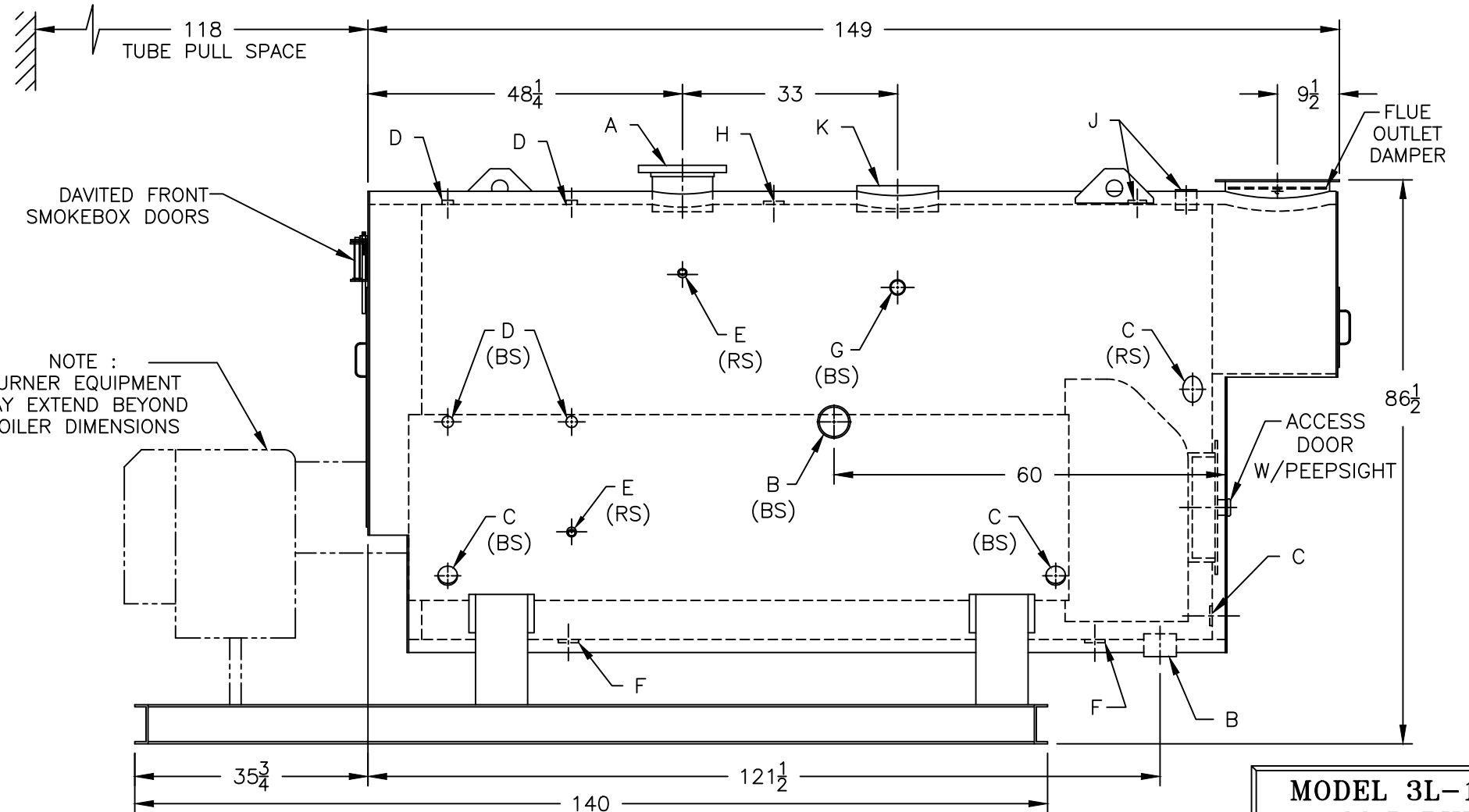
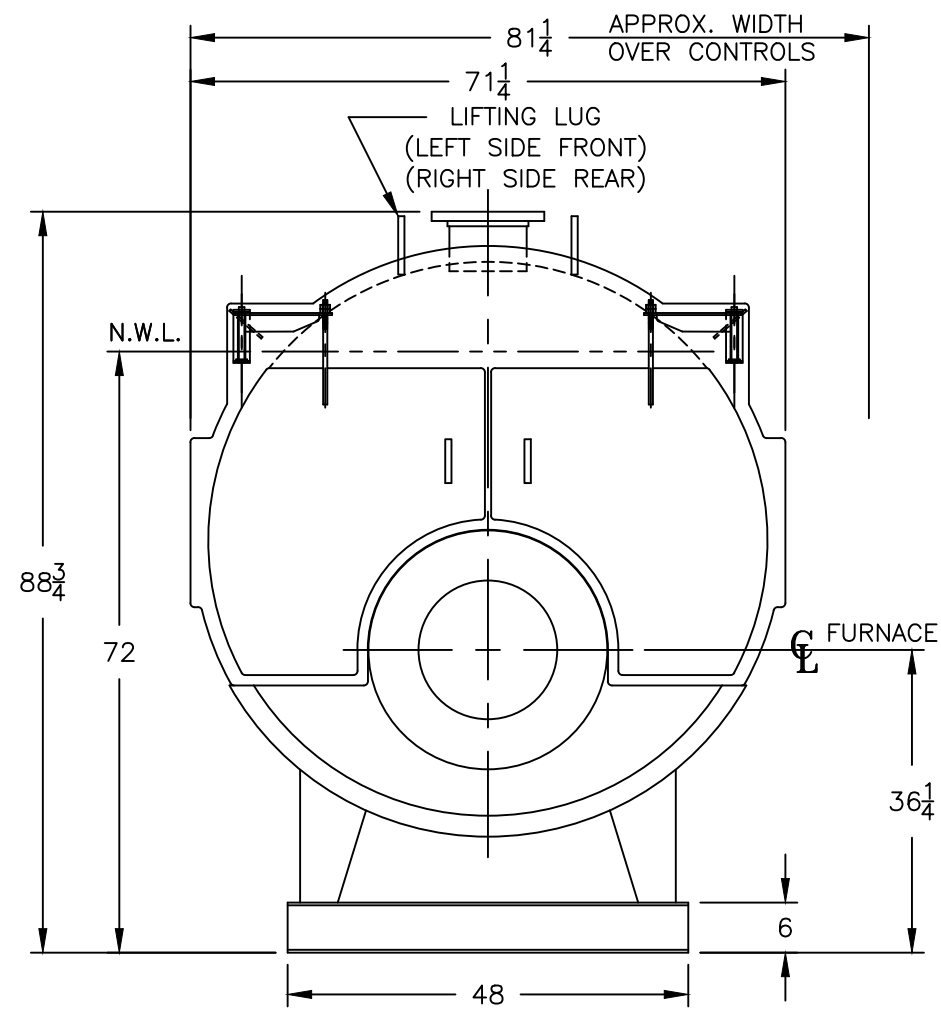
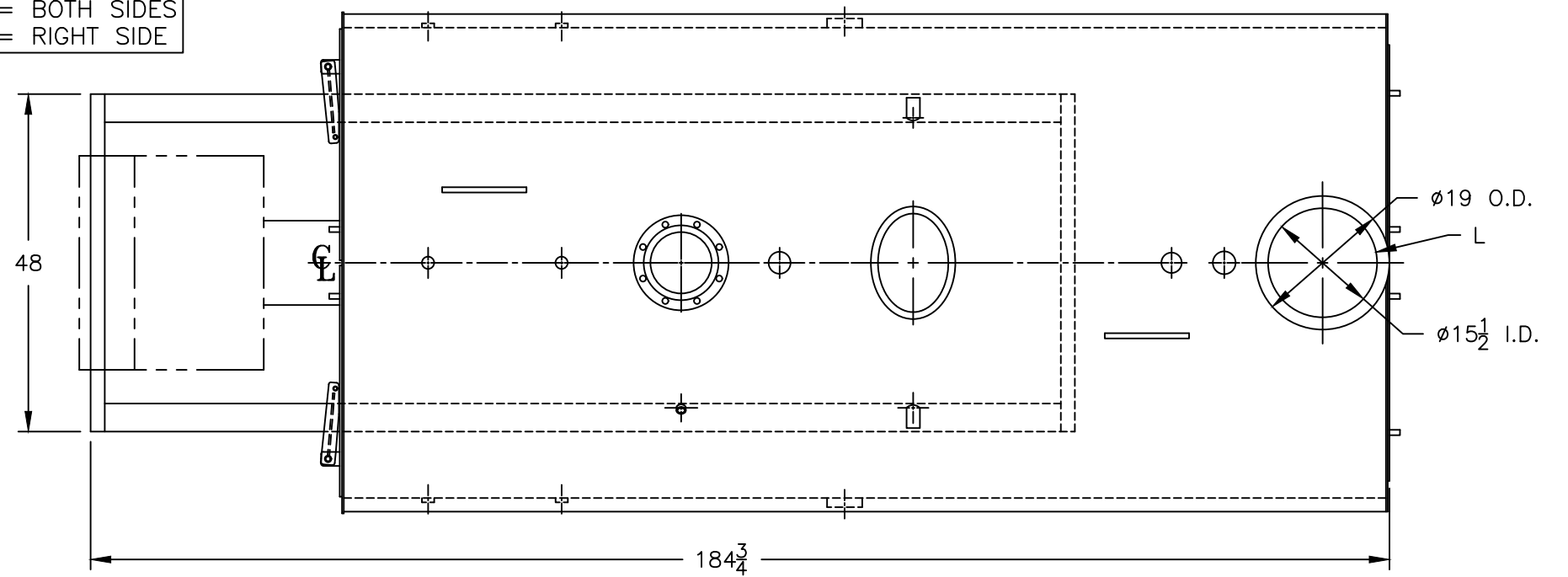
Heating Surface - Sq. Ft.
 Fireside - 875
 Firetubes
 Number - 182
 Diameter - 2" O.D.

Firing Rate
 1000 BTU Gas (MBH) - 7323
 140000 BTU/Gal Oil (GPH) - 50.3
 150000 BTU/Gal Oil (GPH) - 46.9

Water Content
 Pounds - 7638
 Gallons (U.S.) - 916
 Approximate Weight/LBS.
 Dry - 10900
 Wet - 18538

LEGEND

BS = BOTH SIDES
 RS = RIGHT SIDE



MODEL 3L-175
183.5 BHP
15 PSI STEAM

SPECIFICATIONS SUBJECT TO CHANGE WITHOUT NOTICE ALL CONNECTIONS ARE THREADED UNLESS OTHERWISE SPECIFIED
 THIS DOCUMENT CONTAINS CONFIDENTIAL INFORMATION WHICH IS THE PROPERTY OF BURNHAM COMMERCIAL. THIS DOCUMENT MAY NOT BE REPRODUCED, TRANSFERRED OR USED, OR ITS CONTENTS DISCLOSED, WITHOUT THE WRITTEN PERMISSION OF THE OWNER.