

# BURNHAM®

## Commercial Boilers

### LEGEND CONNECTIONS

- A = 12" FLANGED SUPPLY (150#)
- B = 4" RETURN
- C = 3" x 4" HANDHOLE
- D = 1" WATER COLUMN
- E = 3/4" AQUASTAT
- F = 2" BOTTOM BLOWDOWN
- G = 2" SURFACE BLOWOFF
- H = 2" AUXILIARY CONNECTION
- J = 2" SAFETY VALVE (1)  
3" SAFETY VALVE (2)
- K = 12" x 16" MANHOLE
- L = 24" NOMINAL FLUE DIAMETER

### RATINGS AND DATA

Shell Diameter : 90"  
 Gross Output - BHP : 416.5  
 Gross Output - MBH : 13943  
 Gross Output - Lbs/Hr : 14370  
 Net Rating - MBH : 10825  
 Net Rating - Sq. Ft. : 45105  
 Safety Valve - Lbs/Hr. : 16000

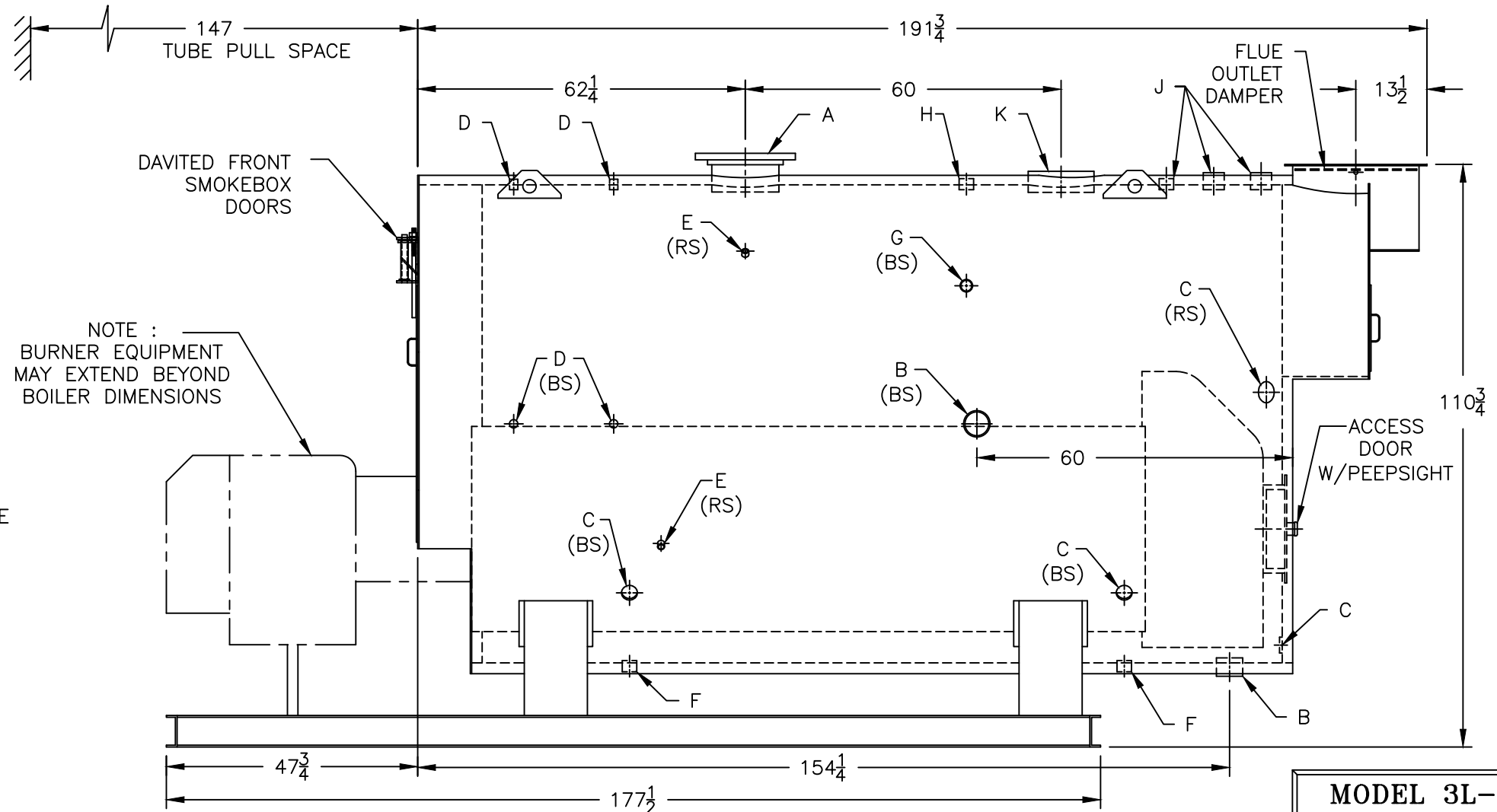
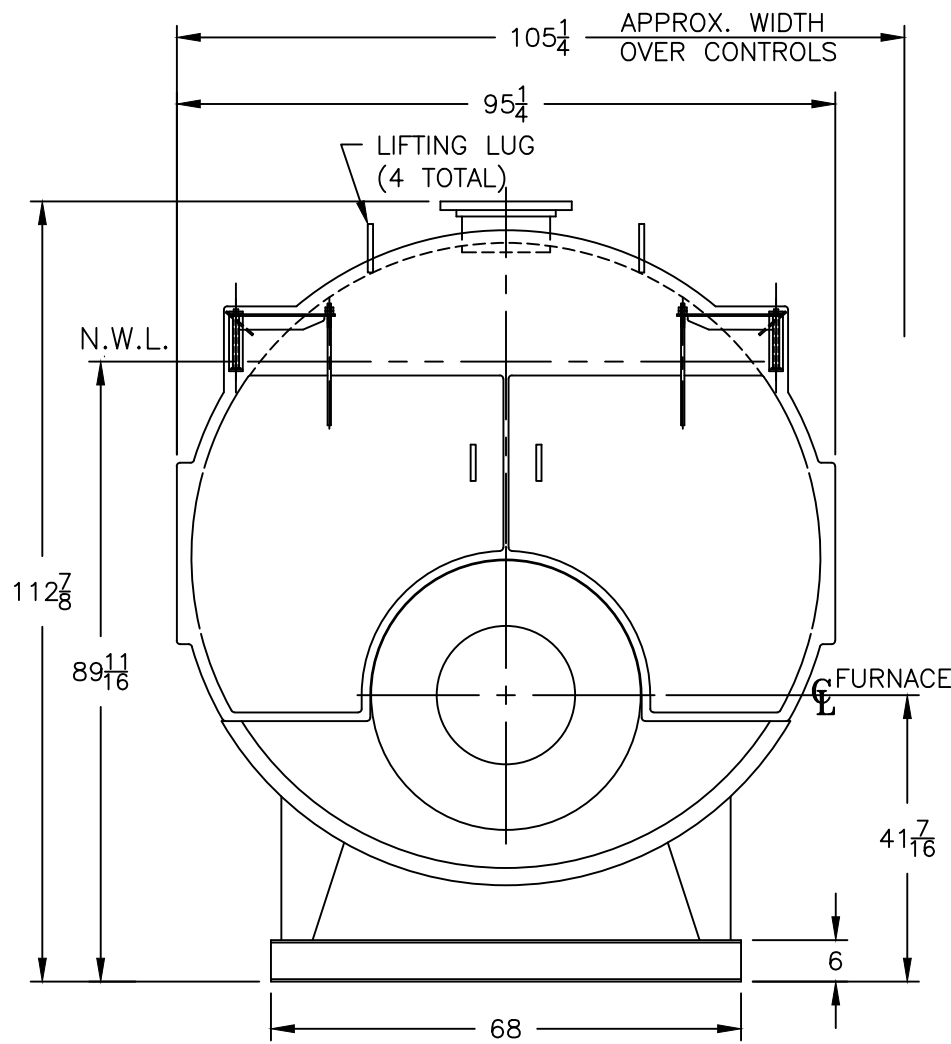
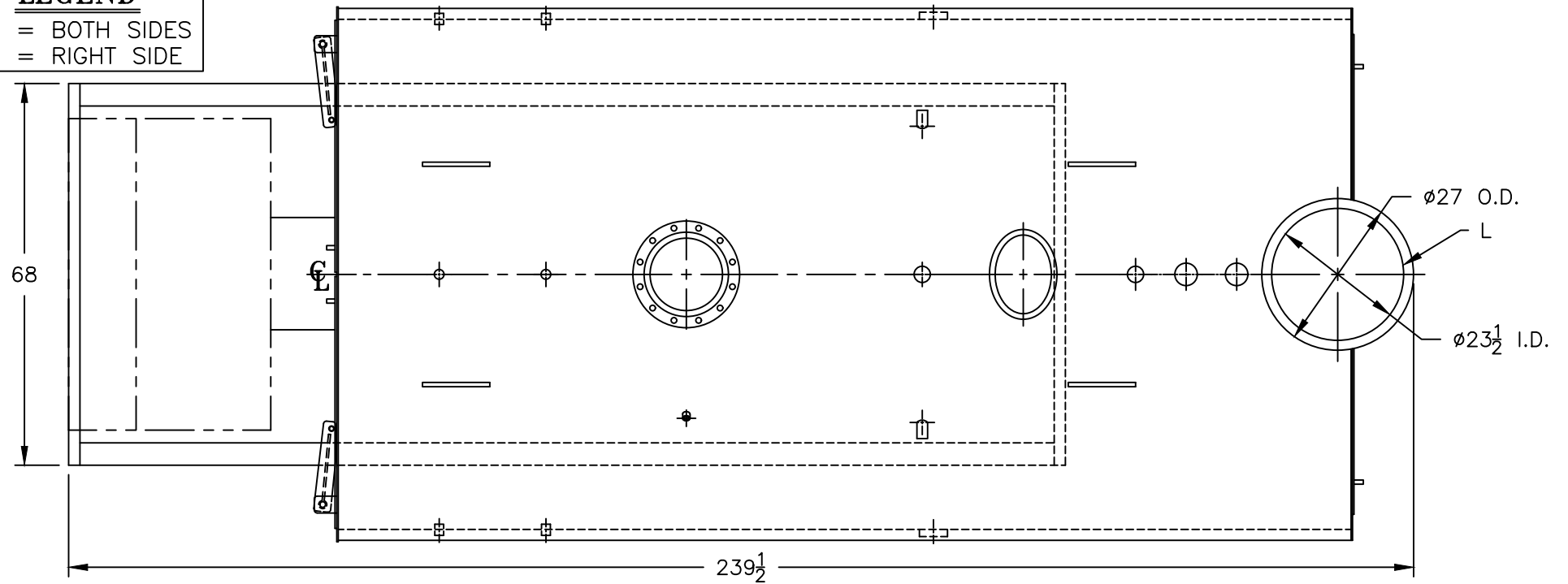
Heating Surface - Sq. Ft.  
 Fireside - 2000  
 Firetubes  
 Number - 268  
 Diameter - 2.5" O.D.

Firing Rate  
 1000 BTU Gas (MBH) - 16738  
 140000 BTU/Gal Oil (GPH) - 114.8  
 150000 BTU/Gal Oil (GPH) - 107.1

Water Content  
 Pounds - 15599  
 Gallons (U.S.) - 1873  
 Approximate Weight/LBS.  
 Dry - 23200  
 Wet - 38799

### LEGEND

BS = BOTH SIDES  
 RS = RIGHT SIDE



NOTE :  
 BURNER EQUIPMENT  
 MAY EXTEND BEYOND  
 BOILER DIMENSIONS

**MODEL 3L-400**  
**416.5 BHP**  
**15 PSI STEAM**

SPECIFICATIONS SUBJECT TO CHANGE WITHOUT NOTICE ALL CONNECTIONS ARE THREADED UNLESS OTHERWISE SPECIFIED  
 THIS DOCUMENT CONTAINS CONFIDENTIAL INFORMATION WHICH IS THE PROPERTY OF BURNHAM COMMERCIAL. THIS DOCUMENT MAY NOT BE REPRODUCED, TRANSFERRED OR USED, OR ITS CONTENTS DISCLOSED, WITHOUT THE WRITTEN PERMISSION OF THE OWNER.