

BURNHAM®

Commercial Boilers

LEGEND CONNECTIONS

- A = 12" FLANGED SUPPLY (150#)
- B = 4" RETURN
- C = 3" x 4" HANDHOLE
- D = 1" WATER COLUMN
- E = 3/4" AQUASTAT
- F = 2" BOTTOM BLOWDOWN
- G = 2" SURFACE BLOWOFF
- H = 2" AUXILIARY CONNECTION
- J = 2-1/2" SAFETY VALVE (2)
3" RELIEF VALVE (3)
- K = 12" x 16" MANHOLE
- L = 28" NOMINAL FLUE DIAMETER

RATINGS AND DATA

Shell Diameter : 102"
 Gross Output - BHP : 743.8
 Gross Output - MBH : 24897
 Gross Output - Lbs/Hr : 25660
 Net Rating - MBH : 19330
 Net Rating - Sq. Ft. : 80543
 Safety Valve - Lbs/Hr. : 28000

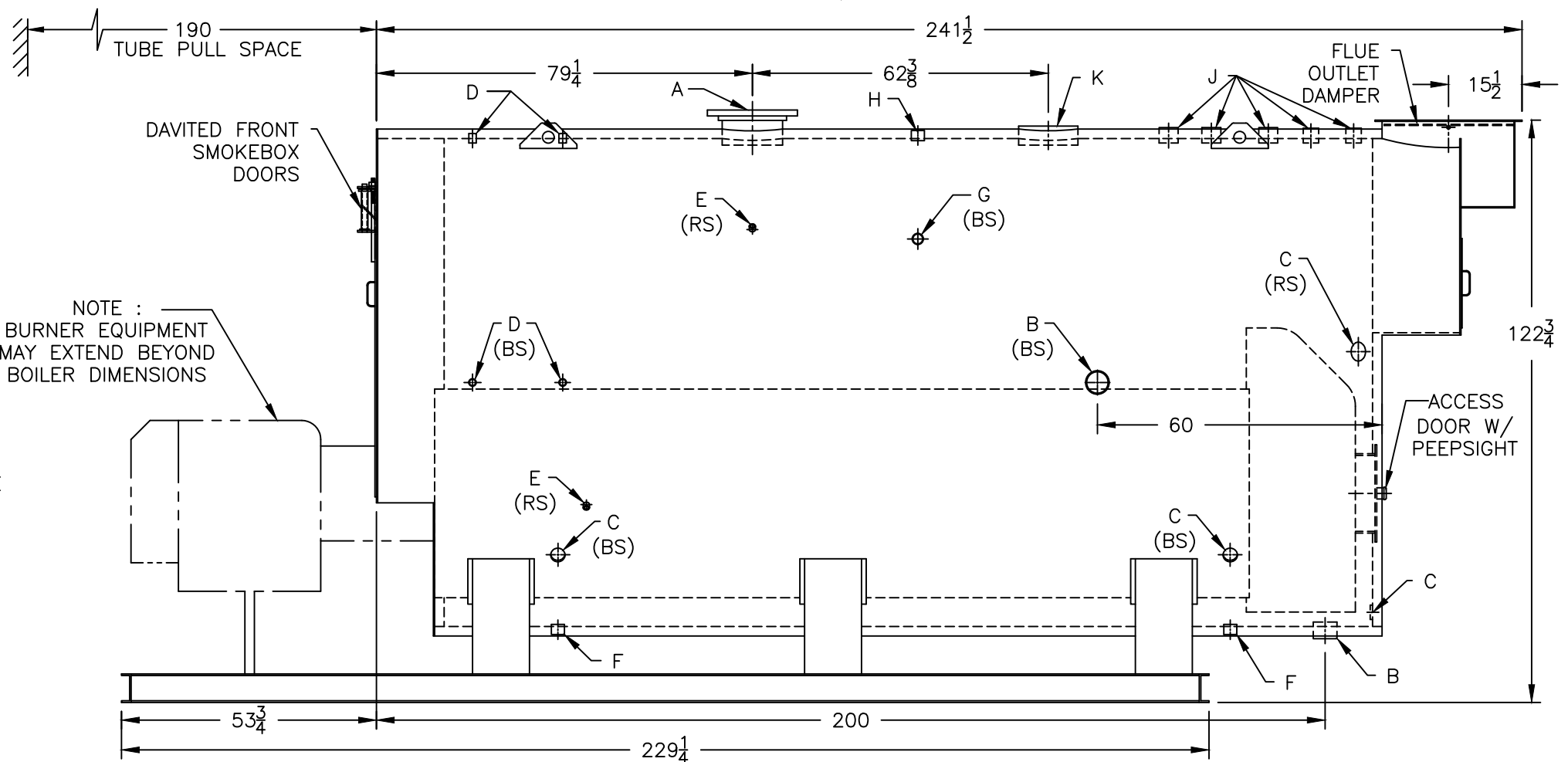
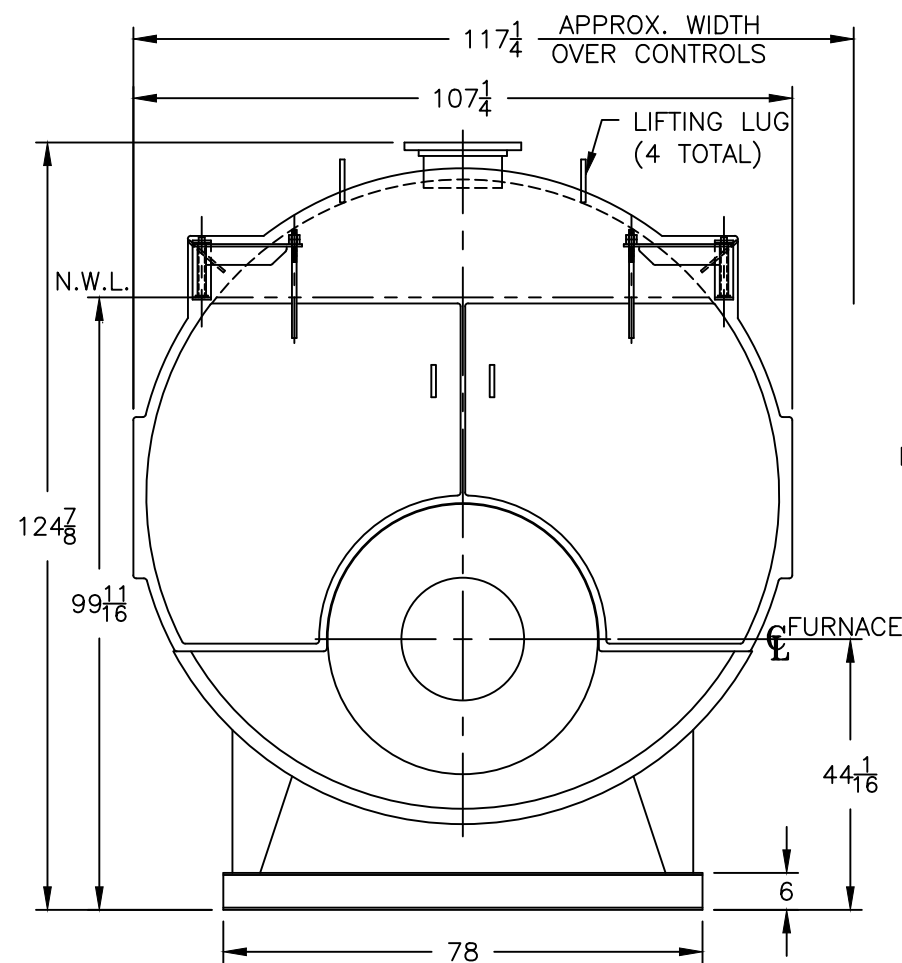
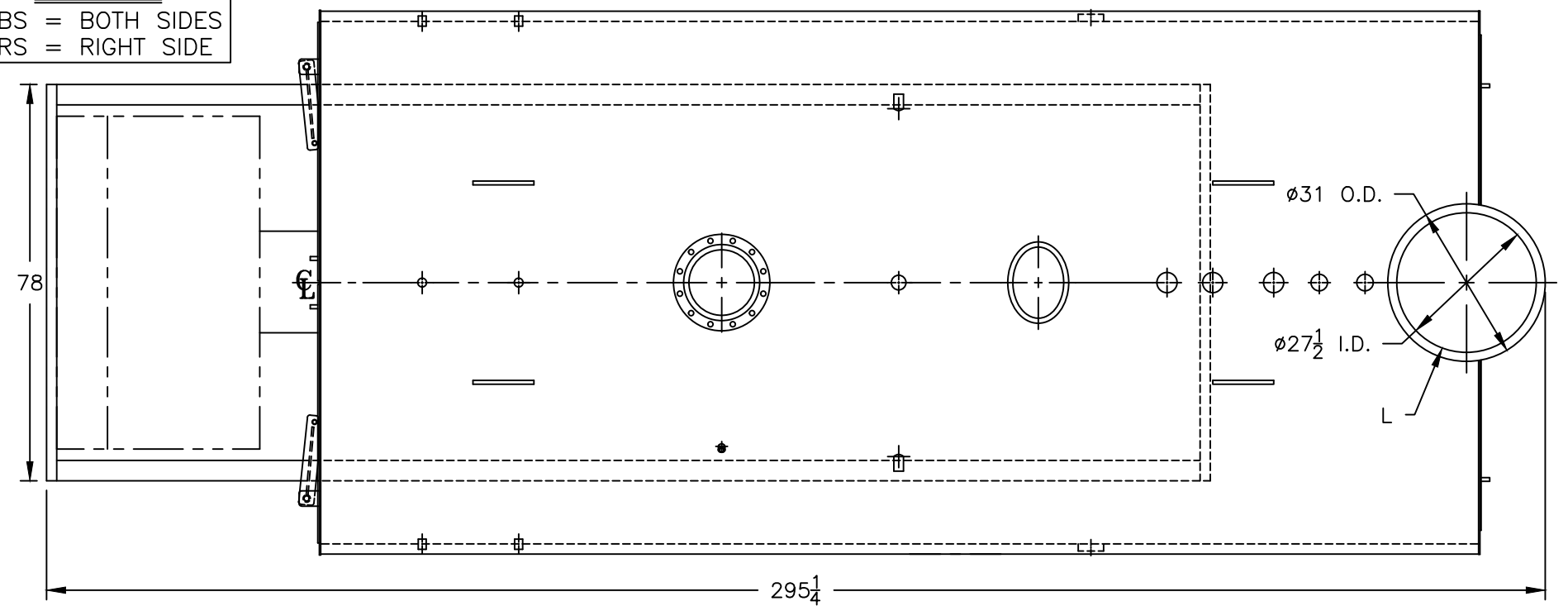
Heating Surface - Sq. Ft.
 Fireside - 3500
 Firetubes
 Number - 362
 Diameter - 2.5" O.D.

Firing Rate
 1000 BTU Gas (MBH) - 29291
 140000 BTU/Gal Oil (GPH) - 201.7
 150000 BTU/Gal Oil (GPH) - 188.3

Water Content
 Pounds - 25754
 Gallons (U.S.) - 3092
 Approximate Weight/LBS.
 Dry - 35700
 Wet - 61454

LEGEND

BS = BOTH SIDES
 RS = RIGHT SIDE



MODEL 3L-700
743.8 BHP
15 PSI STEAM

SPECIFICATIONS SUBJECT TO CHANGE WITHOUT NOTICE ALL CONNECTIONS ARE THREADED UNLESS OTHERWISE SPECIFIED
 THIS DOCUMENT CONTAINS CONFIDENTIAL INFORMATION WHICH IS THE PROPERTY OF BURNHAM COMMERCIAL. THIS DOCUMENT MAY NOT BE REPRODUCED, TRANSFERRED OR USED, OR ITS CONTENTS DISCLOSED, WITHOUT THE WRITTEN PERMISSION OF THE OWNER.