

# BURNHAM®

## Commercial Boilers

### LEGEND CONNECTIONS

- A = 8" FLANGED SUPPLY (150#)
- B = 3" RETURN
- C = 3" x 4" HANDHOLE
- D = 1" WATER COLUMN
- E = 3/4" AQUASTAT
- F = 1-1/2" BOTTOM BLOWDOWN
- G = 1-1/2" SURFACE BLOWOFF
- H = 1-1/2" AUXILIARY CONNECTION
- J = 2-1/2" SAFETY VALVE
- K = 12" NOMINAL FLUE DIAMETER

### RATINGS AND DATA

Shell Diameter : 54"  
 Gross Output - BHP : 93.6  
 Gross Output - MBH : 3133  
 Gross Output - Lbs/Hr : 3230  
 Net Rating - MBH : 2433  
 Net Rating - Sq. Ft. : 10136  
 Safety Valve - Lbs/Hr. : 3600

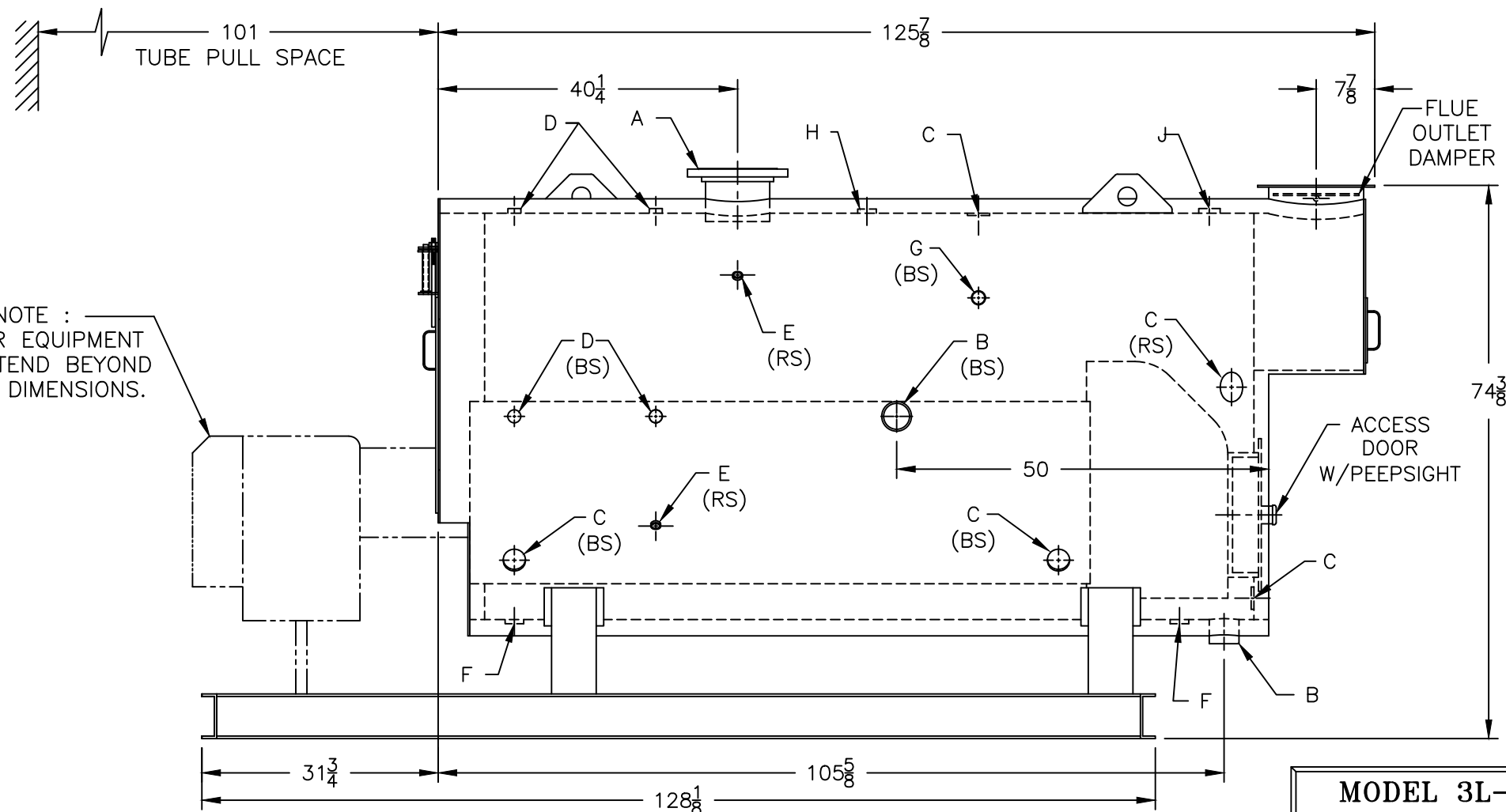
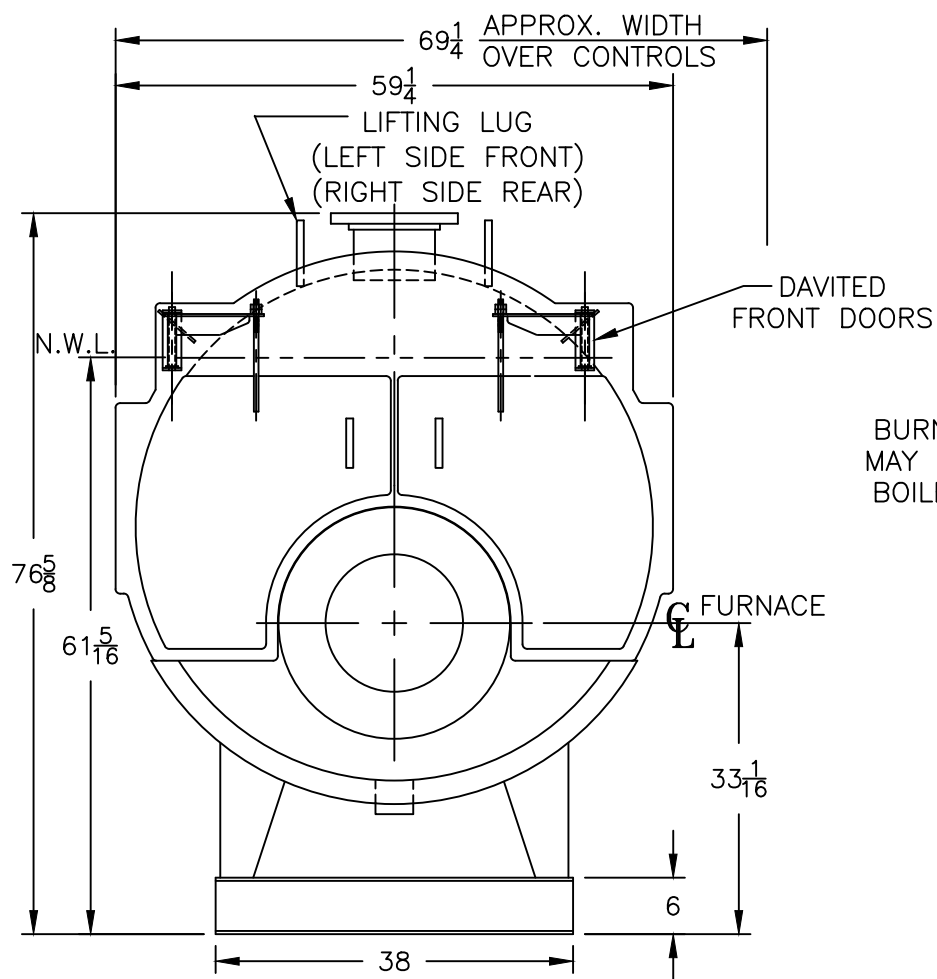
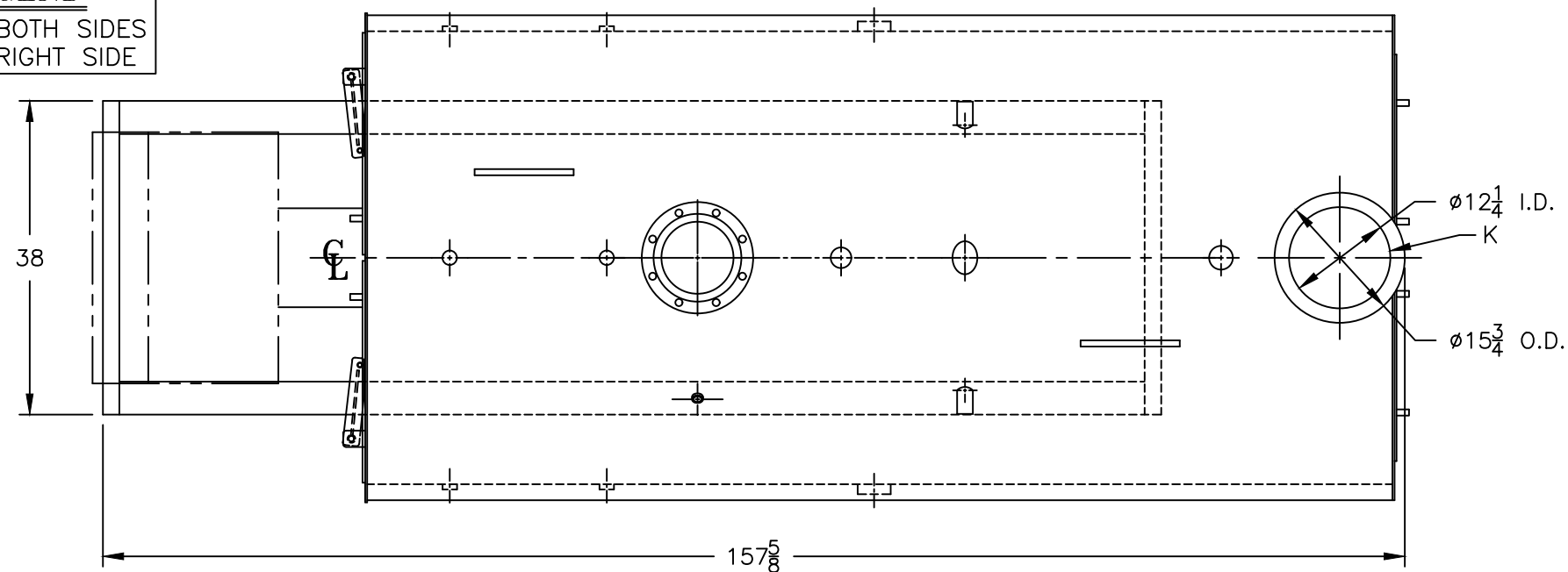
Heating Surface - Sq. Ft.  
 Fireside - 450  
 Firetubes  
 Number - 106  
 Diameter - 2" O.D.

Firing Rate  
 1000 BTU Gas (MBH) - 3766  
 140000 BTU/Gal Oil (GPH) - 25.9  
 150000 BTU/Gal Oil (GPH) - 24.2

Water Content  
 Pounds - 4312  
 Gallons (U.S.) - 517  
 Approximate Weight/LBS.  
 Dry - 6400  
 Wet - 10712

### LEGEND

BS = BOTH SIDES  
 RS = RIGHT SIDE



**MODEL 3L-90**  
**93.6 BHP**  
**15 PSI STEAM**

SPECIFICATIONS SUBJECT TO CHANGE WITHOUT NOTICE ALL CONNECTIONS ARE THREADED UNLESS OTHERWISE SPECIFIED  
 THIS DOCUMENT CONTAINS CONFIDENTIAL INFORMATION WHICH IS THE PROPERTY OF BURNHAM COMMERCIAL. THIS DOCUMENT MAY NOT BE REPRODUCED, TRANSFERRED OR USED, OR ITS CONTENTS DISCLOSED, WITHOUT THE WRITTEN PERMISSION OF THE OWNER.