

BURNHAM®

Commercial Boilers

LEGEND CONNECTIONS

- A = 4" FLANGED SUPPLY (300#)
- B = 1-1/4" RETURN
- C = 3" x 4" HANDHOLE
- D = 1" WATER COLUMN
- E = 3/4" AQUASTAT
- F = 1-1/2" BOTTOM BLOWDOWN
- G = 1-1/2" SURFACE BLOWOFF
- H = 2" AUXILIARY CONNECTION
- J = 1-1/4" SAFETY VALVE (2)
- K = 12" X 16" MANHOLE
- L = 12" NOMINAL FLUE DIAMETER

RATINGS AND DATA

Shell Diameter : 54"
 Gross Output - BHP : 100
 Gross Output - MBH : 3348
 Gross Output - Lbs/Hr : 3450
 Net Rating - MBH : 2599
 Net Rating - Sq. Ft. : 10829
 Safety Valve - Lbs/Hr. : 3905

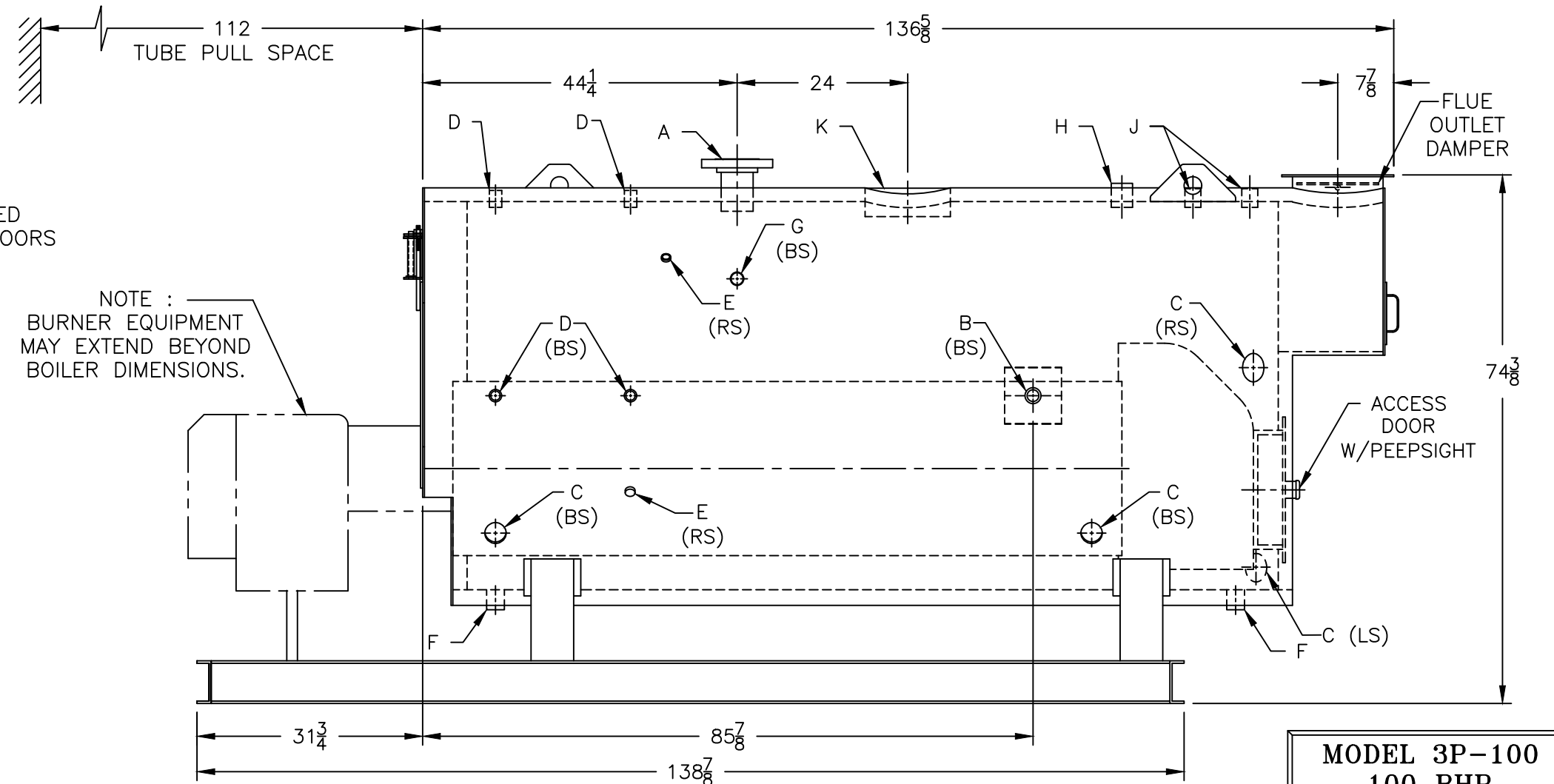
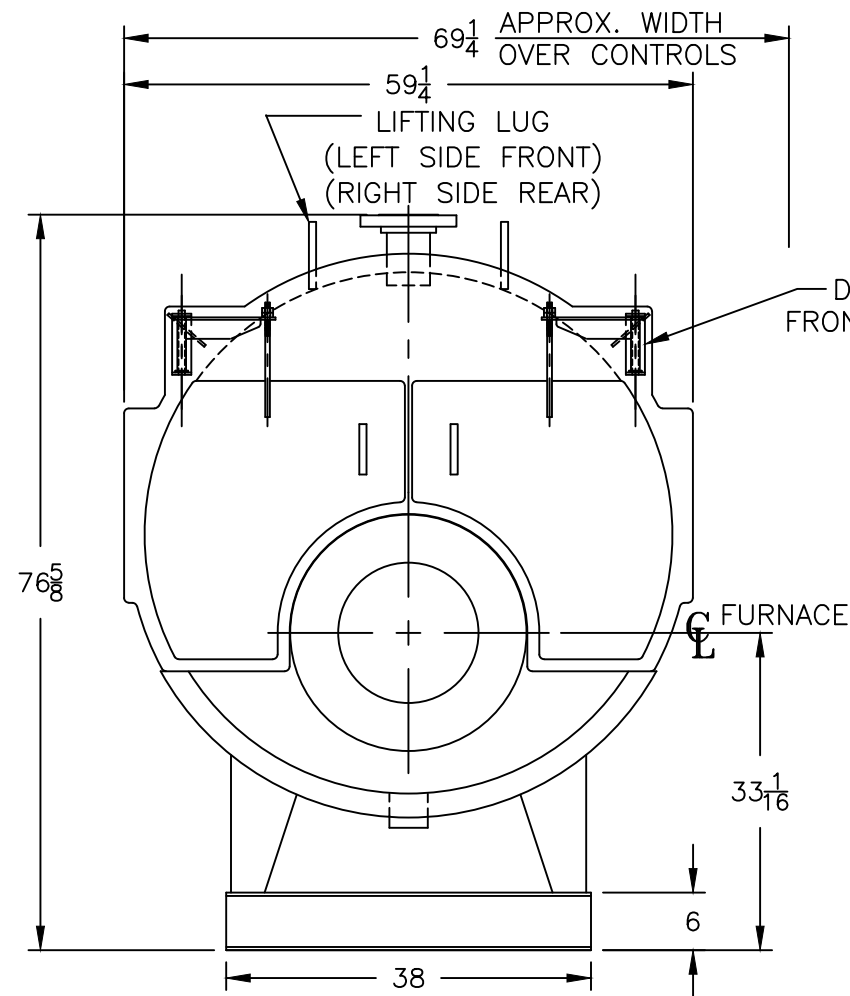
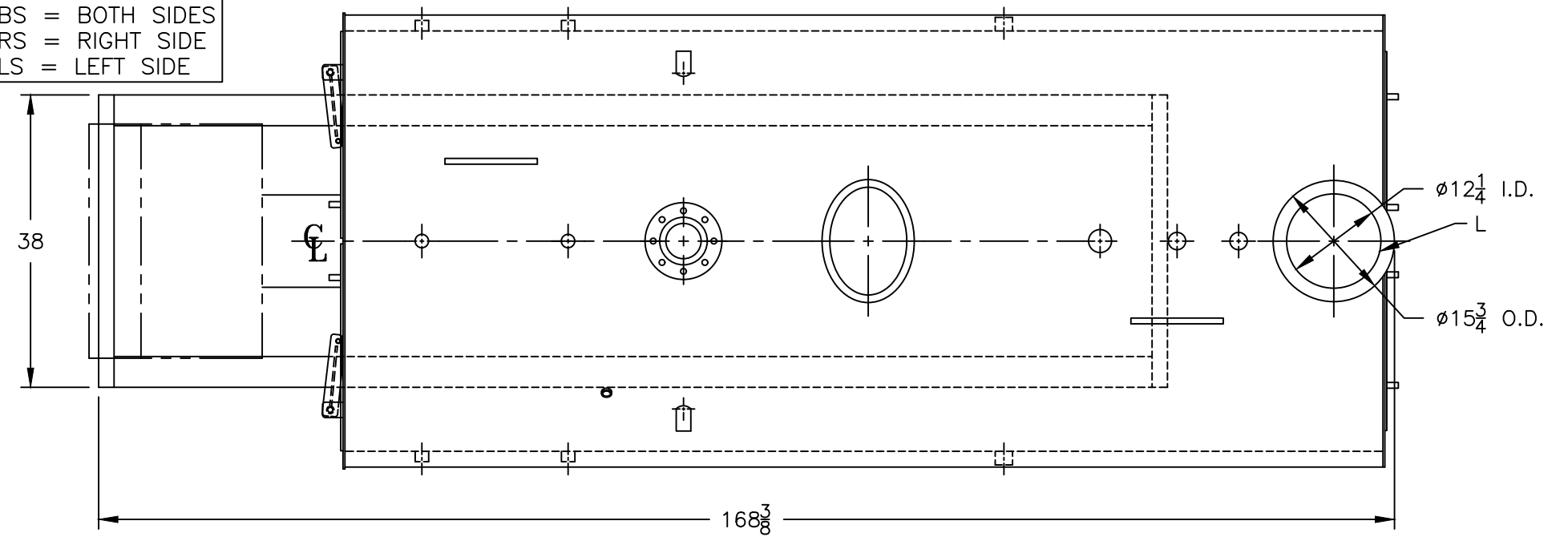
Heating Surface - Sq. Ft.
 Fireside - 500
 Firetubes
 Number - 106
 Diameter - 2" O.D.

Firing Rate
 1000 BTU Gas (MBH) - 4184
 140000 BTU/Gal Oil (GPH) - 28.9
 150000 BTU/Gal Oil (GPH) - 27.0

Water Content
 Pounds - 5143
 Gallons (U.S.) - 617
 Approximate Weight/LBS.
 Dry - 7700
 Wet - 12843

LEGEND

- BS = BOTH SIDES
- RS = RIGHT SIDE
- LS = LEFT SIDE



MODEL 3P-100
100 BHP
150 PSI STEAM

SPECIFICATIONS SUBJECT TO CHANGE WITHOUT NOTICE ALL CONNECTIONS ARE THREADED UNLESS OTHERWISE SPECIFIED
 THIS DOCUMENT CONTAINS CONFIDENTIAL INFORMATION WHICH IS THE PROPERTY OF BURNHAM COMMERCIAL. THIS DOCUMENT MAY NOT BE REPRODUCED, TRANSFERRED OR USED, OR ITS CONTENTS DISCLOSED, WITHOUT THE WRITTEN PERMISSION OF THE OWNER.