

BURNHAM®

Commercial Boilers

LEGEND CONNECTIONS

- A = 6" FLANGED SUPPLY (300#)
- B = 1-1/2" RETURN
- C = 3" x 4" HANDHOLE
- D = 1" WATER COLUMN
- E = 3/4" AQUASTAT
- F = 2" BOTTOM BLOWDOWN
- G = 2" SURFACE BLOWOFF
- H = 2" AUXILIARY CONNECTION
- J = 2" SAFETY VALVE
- 1-1/2" SAFETY VALVE
- K = 12" x 16" MANHOLE
- L = 16" NOMINAL FLUE DIAMETER

RATINGS AND DATA

Shell Diameter : 66"
 Gross Output - BHP : 175
 Gross Output - MBH : 5858
 Gross Output - Lbs/Hr : 6037
 Net Rating - MBH : 4548
 Net Rating - Sq. Ft. : 18950
 Safety Valve - Lbs/Hr. : 6834

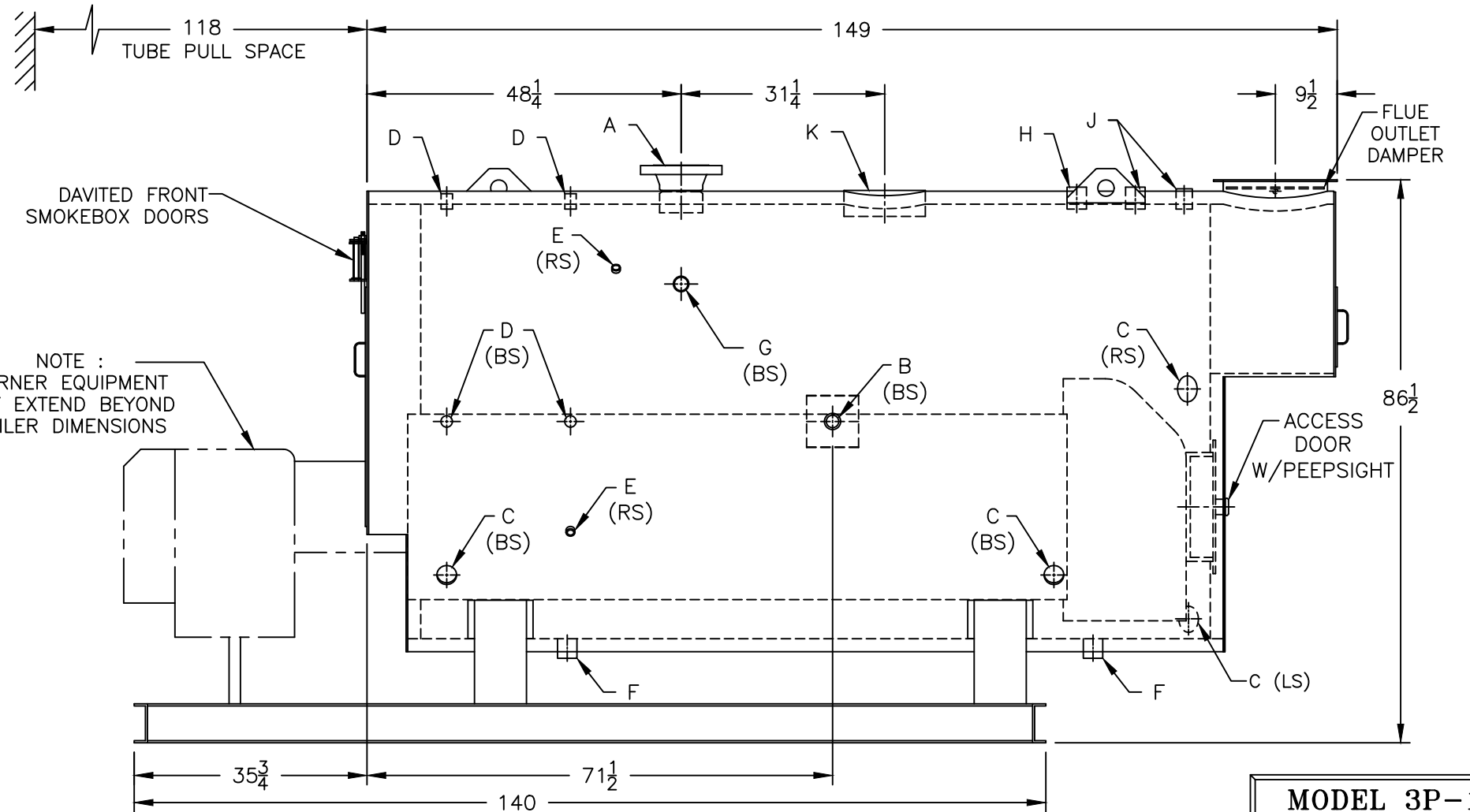
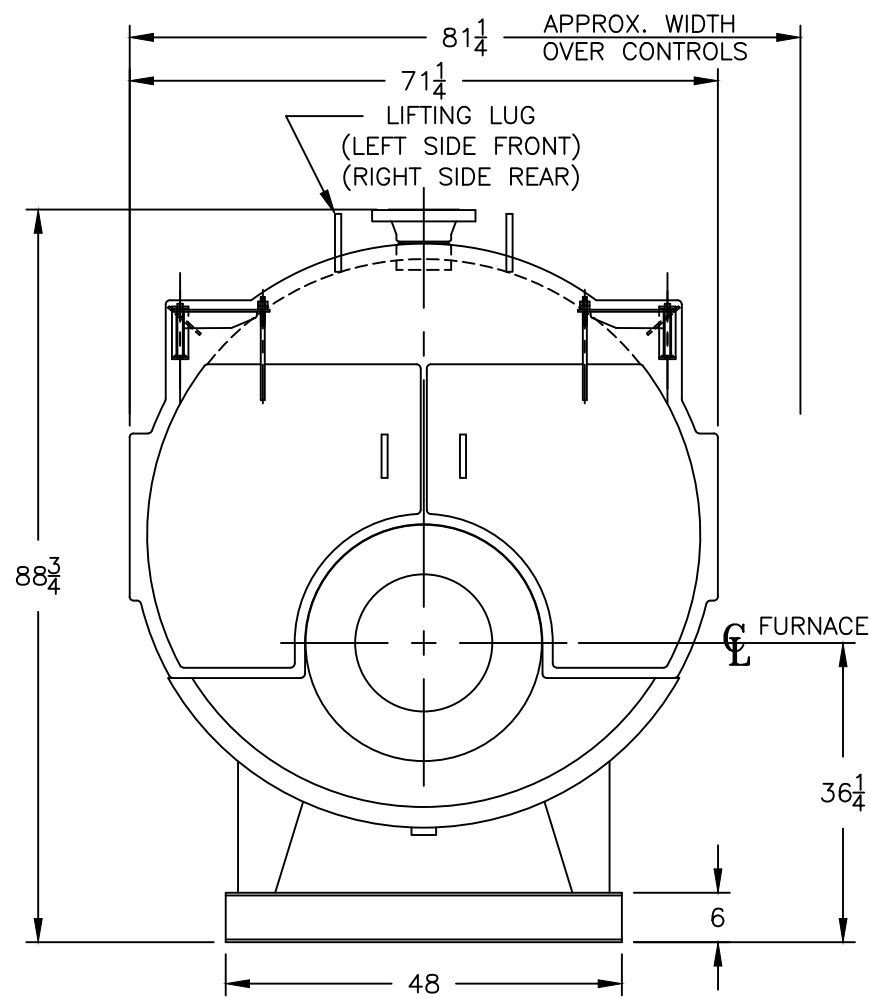
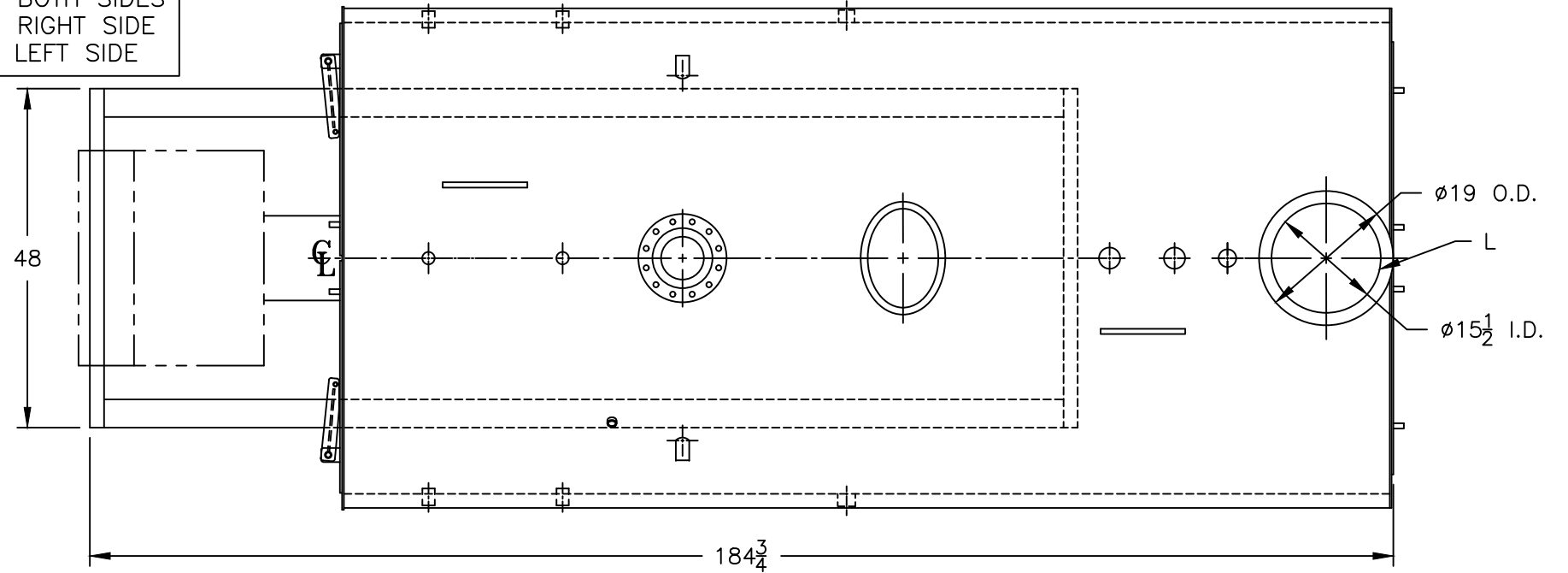
Heating Surface - Sq. Ft.
 Fireside - 875
 Firetubes
 Number - 182
 Diameter - 2" O.D.

Firing Rate
 1000 BTU Gas (MBH) - 7323
 140000 BTU/Gal Oil (GPH) - 50.3
 150000 BTU/Gal Oil (GPH) - 46.9

Water Content
 Pounds - 8079
 Gallons (U.S.) - 970
 Approximate Weight/LBS.
 Dry - 11600
 Wet - 19679

LEGEND

- BS = BOTH SIDES
- RS = RIGHT SIDE
- LS = LEFT SIDE



NOTE :
 BURNER EQUIPMENT
 MAY EXTEND BEYOND
 BOILER DIMENSIONS

MODEL 3P-175
175 BHP
150 PSI STEAM

SPECIFICATIONS SUBJECT TO CHANGE WITHOUT NOTICE ALL CONNECTIONS ARE THREADED UNLESS OTHERWISE SPECIFIED
 THIS DOCUMENT CONTAINS CONFIDENTIAL INFORMATION WHICH IS THE PROPERTY OF BURNHAM COMMERCIAL. THIS DOCUMENT MAY NOT BE REPRODUCED, TRANSFERRED OR USED, OR ITS CONTENTS DISCLOSED, WITHOUT THE WRITTEN PERMISSION OF THE OWNER.