

# BURNHAM®

## Commercial Boilers

### LEGEND CONNECTIONS

- A = 3" SUPPLY
- B = 1-1/4" RETURN
- C = 3" x 4" HANDHOLE
- D = 1" WATER COLUMN
- E = 3/4" AQUASTAT
- F = 1-1/2" BOTTOM BLOWDOWN
- G = 1-1/2" SURFACE BLOWOFF
- H = 2" AUXILIARY CONNECTION
- J = 1" SAFETY VALVE
- K = 10" NOMINAL FLUE DIAMETER

### RATINGS AND DATA

Shell Diameter : 48"  
 Gross Output - BHP : 50  
 Gross Output - MBH : 1674  
 Gross Output - Lbs/Hr : 1725  
 Net Rating - MBH : 1290  
 Net Rating - Sq. Ft. : 5375  
 Safety Valve - Lbs/Hr. : 1953

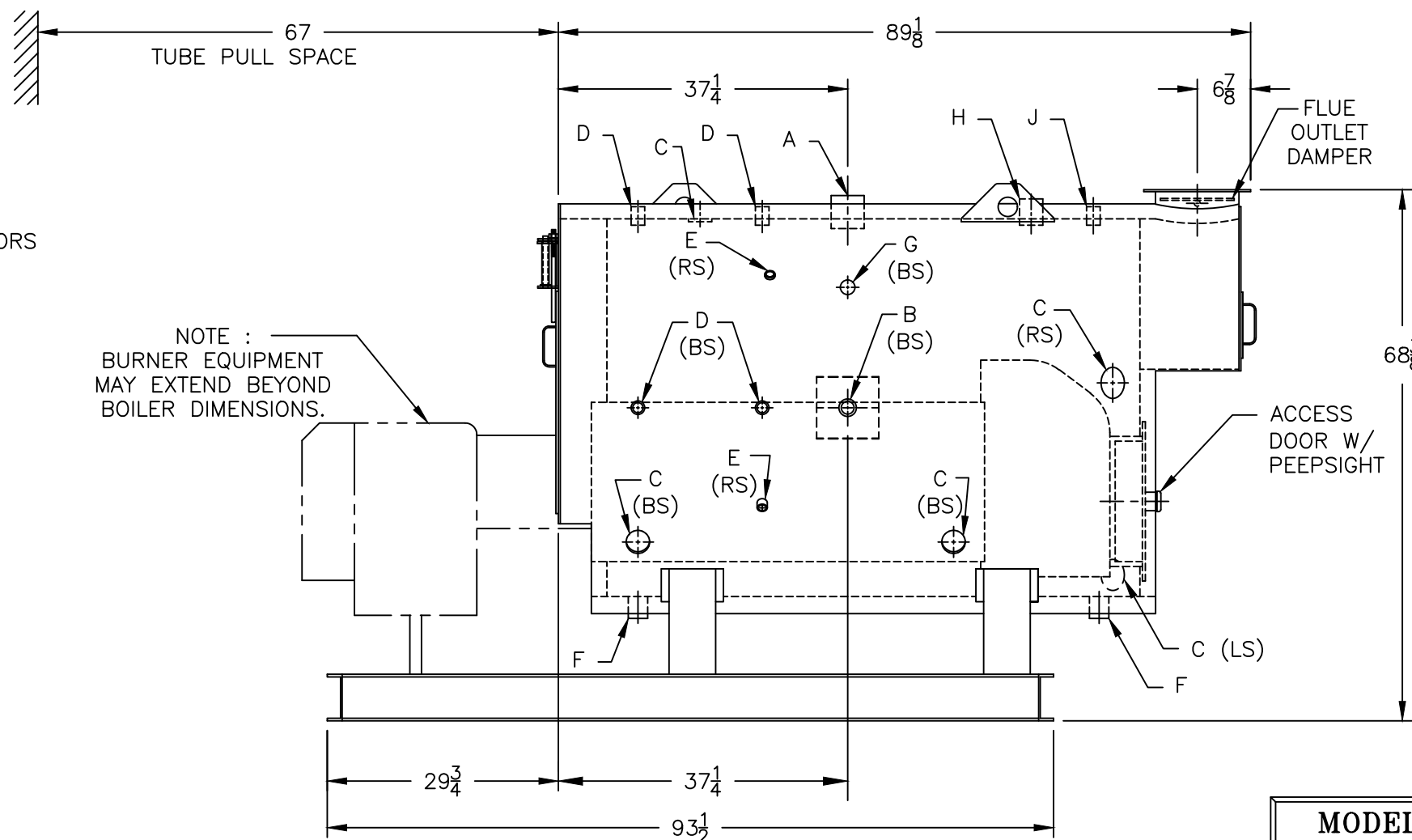
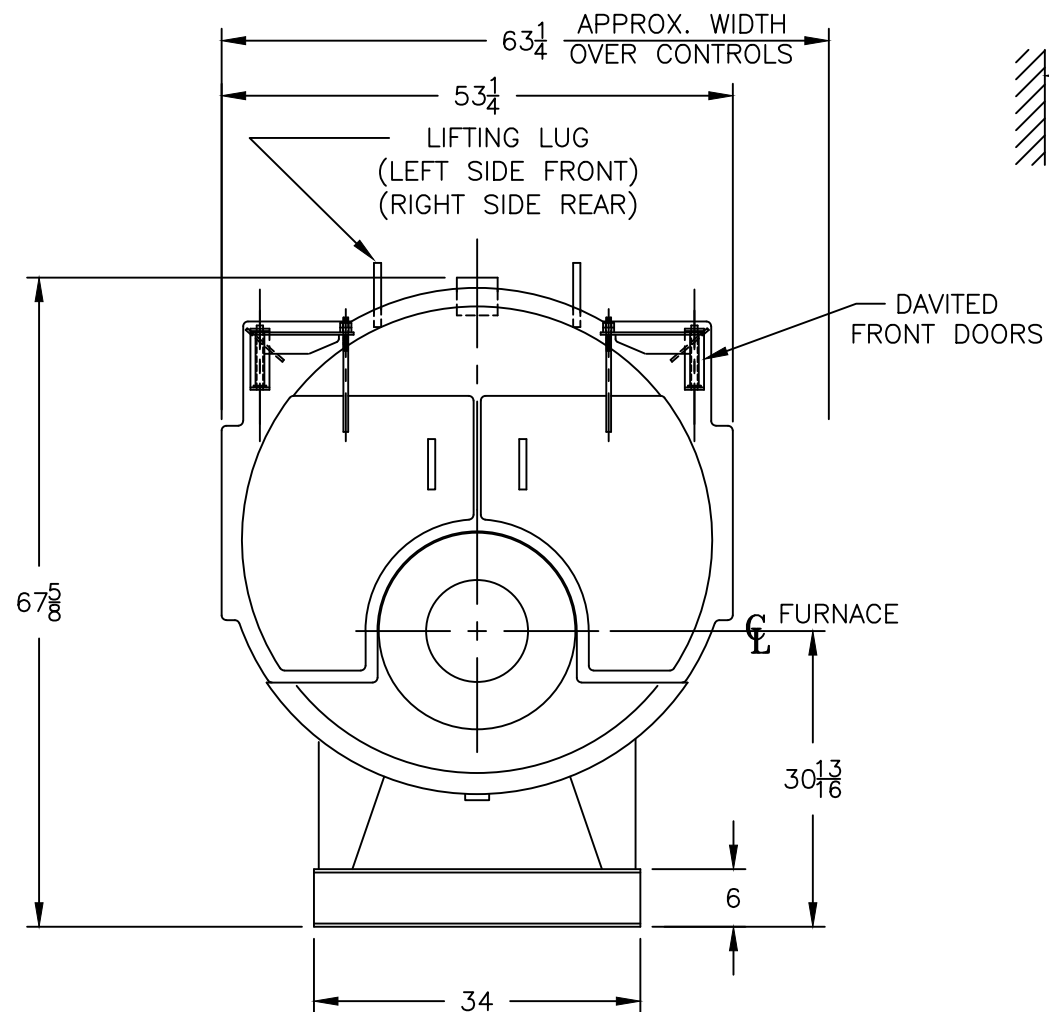
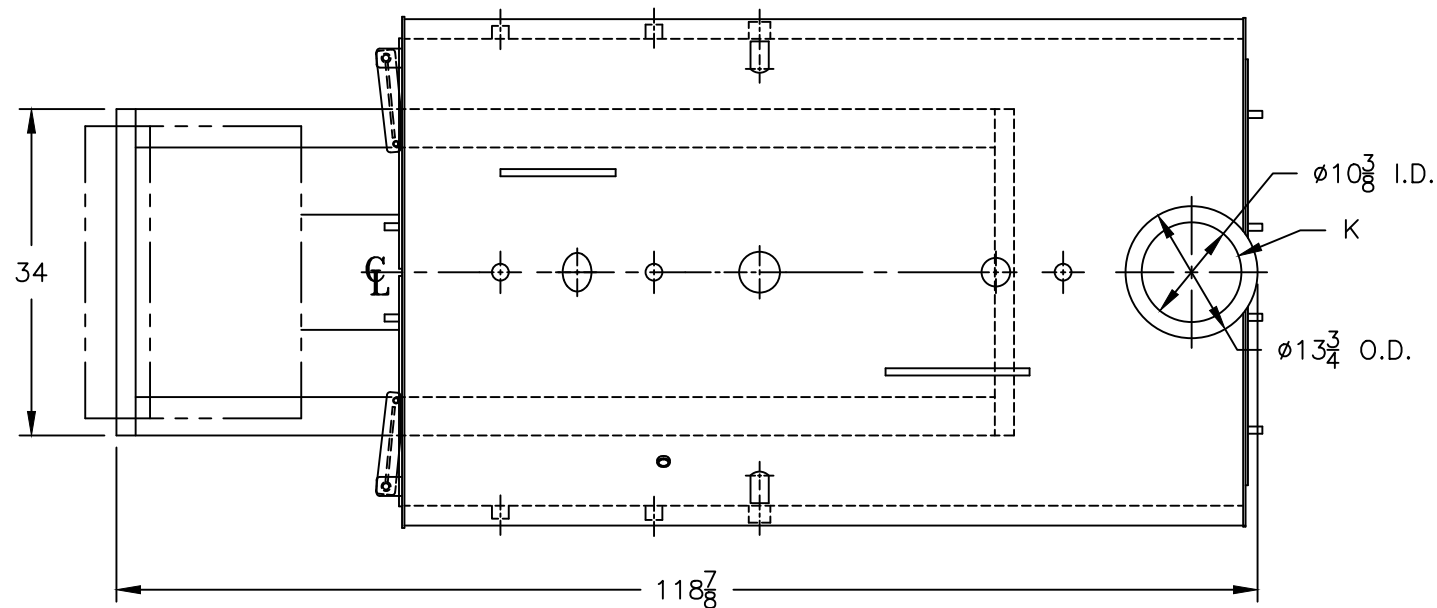
Heating Surface - Sq. Ft.  
 Fireside - 250  
 Firetubes  
 Number - 92  
 Diameter - 2" O.D.

Firing Rate  
 1000 BTU Gas (MBH) - 2092  
 140000 BTU/Gal Oil (GPH) - 14.5  
 150000 BTU/Gal Oil (GPH) - 13.5

Water Content  
 Pounds - 2468  
 Gallons (U.S.) - 296  
 Approximate Weight/LBS.  
 Dry - 4700  
 Wet - 7168

### LEGEND

- BS = BOTH SIDES
- RS = RIGHT SIDE
- LS = LEFT SIDE



SPECIFICATIONS SUBJECT TO CHANGE WITHOUT NOTICE ALL CONNECTIONS ARE THREADED UNLESS OTHERWISE SPECIFIED  
 THIS DOCUMENT CONTAINS CONFIDENTIAL INFORMATION WHICH IS THE PROPERTY OF BURNHAM COMMERCIAL. THIS DOCUMENT MAY NOT BE REPRODUCED, TRANSFERRED OR USED, OR ITS CONTENTS DISCLOSED, WITHOUT THE WRITTEN PERMISSION OF THE OWNER.

**MODEL 3P-50**  
**50 BHP**  
**150 PSI STEAM**