

# BURNHAM®

## Commercial Boilers

### LEGEND CONNECTIONS

- A = 3" SUPPLY
- B = 1-1/4" RETURN
- C = 3" x 4" HANDHOLE
- D = 1" WATER COLUMN
- E = 3/4" AQUASTAT
- F = 1-1/2" BOTTOM BLOWDOWN
- G = 1-1/2" SURFACE BLOWOFF
- H = 2" AUXILIARY CONNECTION
- J = 2" SAFETY VALVE
- K = 12" X 16" MANHOLE
- L = 12" NOMINAL FLUE DIAMETER

### RATINGS AND DATA

Shell Diameter : 54"  
 Gross Output - BHP : 70  
 Gross Output - MBH : 2343  
 Gross Output - Lbs/Hr : 2415  
 Net Rating - MBH : 1819  
 Net Rating - Sq. Ft. : 7580  
 Safety Valve - Lbs/Hr. : 2734

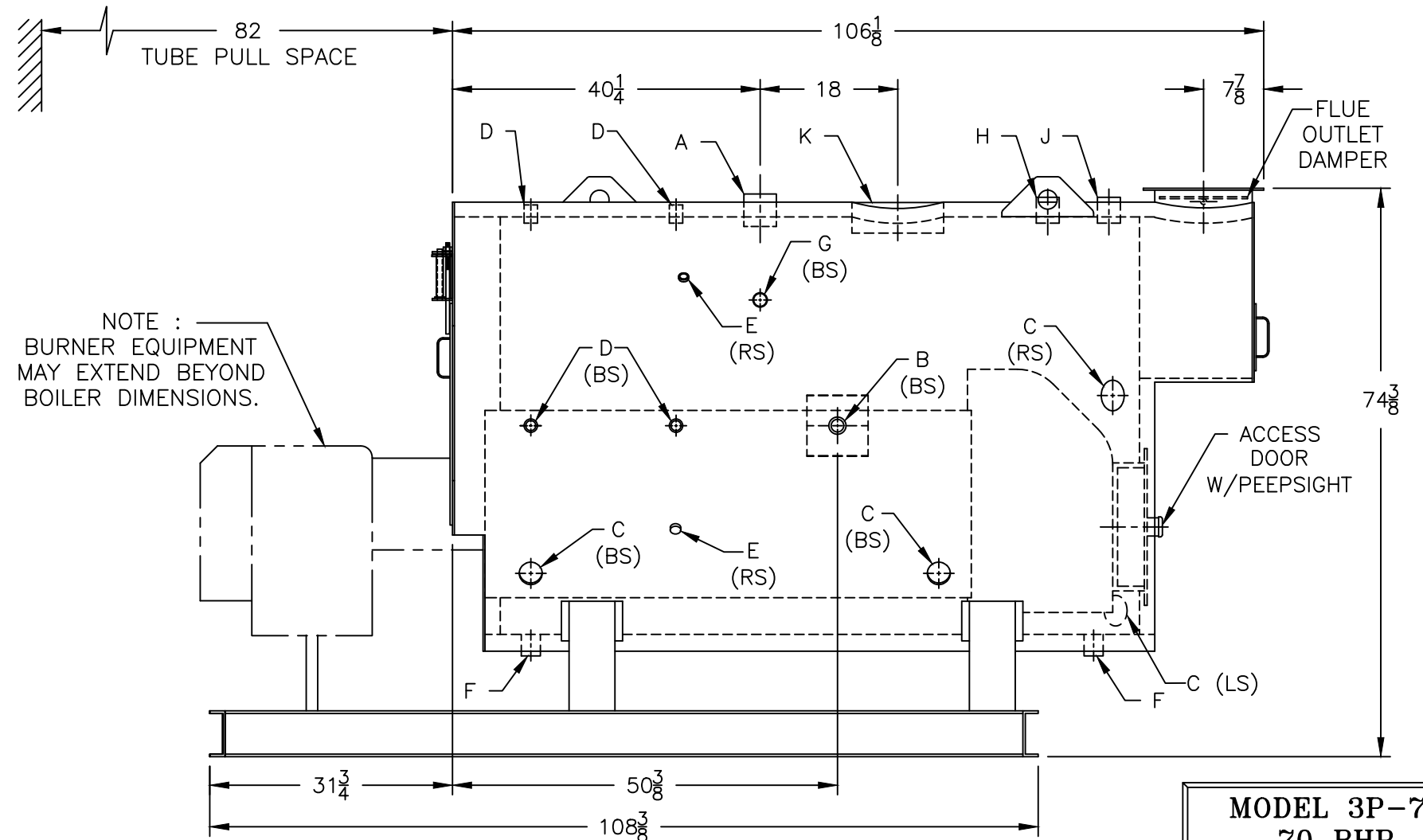
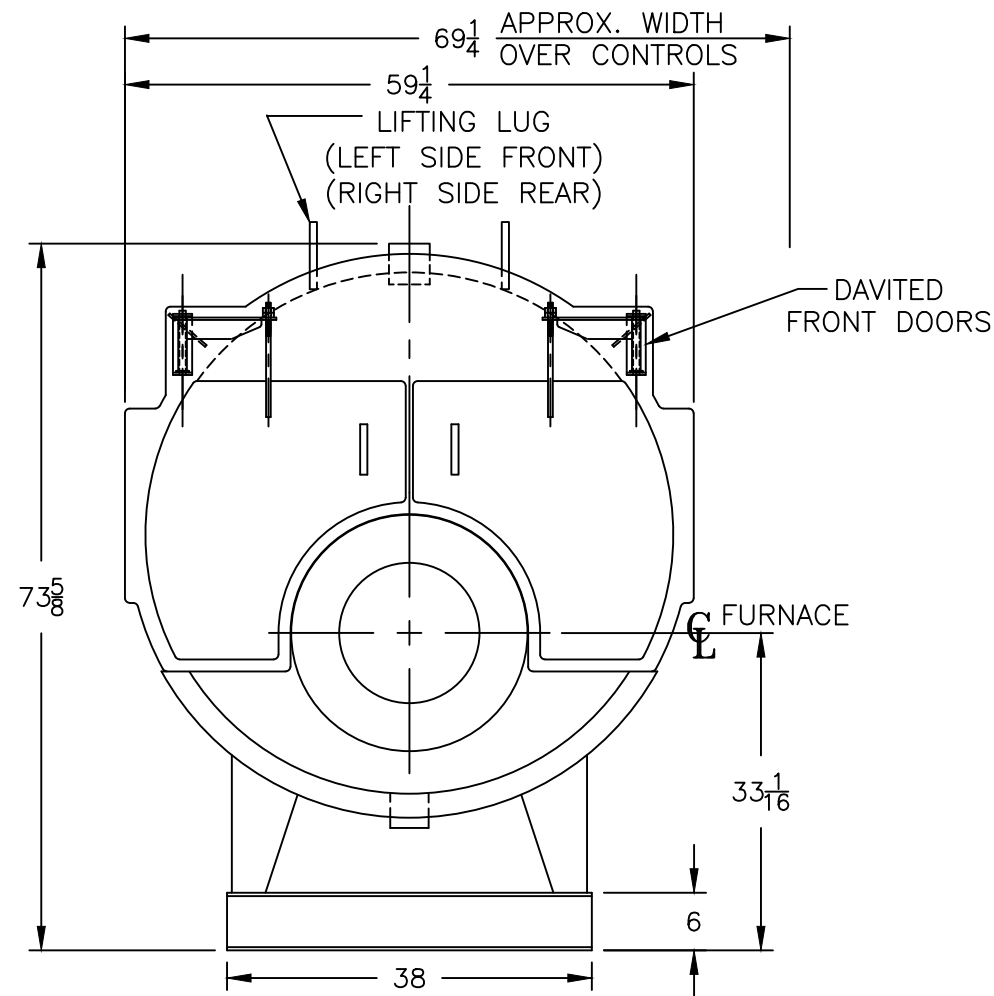
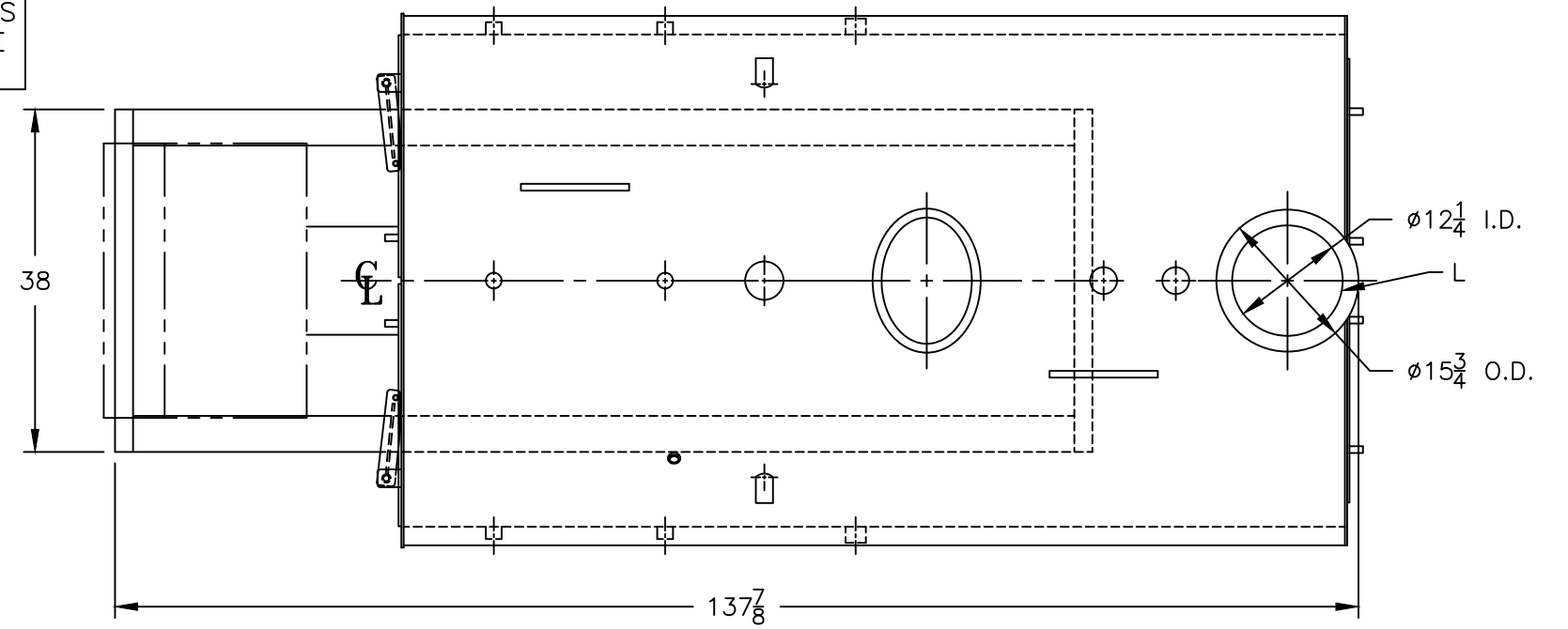
Heating Surface - Sq. Ft.  
 Fireside - 350  
 Firetubes  
 Number - 106  
 Diameter - 2" O.D.

Firing Rate  
 1000 BTU Gas (MBH) - 2929  
 140000 BTU/Gal Oil (GPH) - 20.1  
 150000 BTU/Gal Oil (GPH) - 18.8

Water Content  
 Pounds - 3706  
 Gallons (U.S.) - 445  
 Approximate Weight/LBS.  
 Dry - 6200  
 Wet - 9906

### LEGEND

- BS = BOTH SIDES
- RS = RIGHT SIDE
- LS = LEFT SIDE



**MODEL 3P-70**  
**70 BHP**  
**150 PSI STEAM**

SPECIFICATIONS SUBJECT TO CHANGE WITHOUT NOTICE ALL CONNECTIONS ARE THREADED UNLESS OTHERWISE SPECIFIED  
 THIS DOCUMENT CONTAINS CONFIDENTIAL INFORMATION WHICH IS THE PROPERTY OF BURNHAM COMMERCIAL. THIS DOCUMENT MAY NOT BE REPRODUCED, TRANSFERRED OR USED, OR ITS CONTENTS DISCLOSED, WITHOUT THE WRITTEN PERMISSION OF THE OWNER.