

BURNHAM®

Commercial Boilers

RATINGS AND DATA

Shell Diameter : 54"
 Gross Output - BHP : 80
 Gross Output - MBH : 2678
 Gross Output - Lbs/Hr : 2760
 Net Rating - MBH : 2079
 Net Rating - Sq. Ft. : 8663
 Safety Valve - Lbs/Hr. : 3124

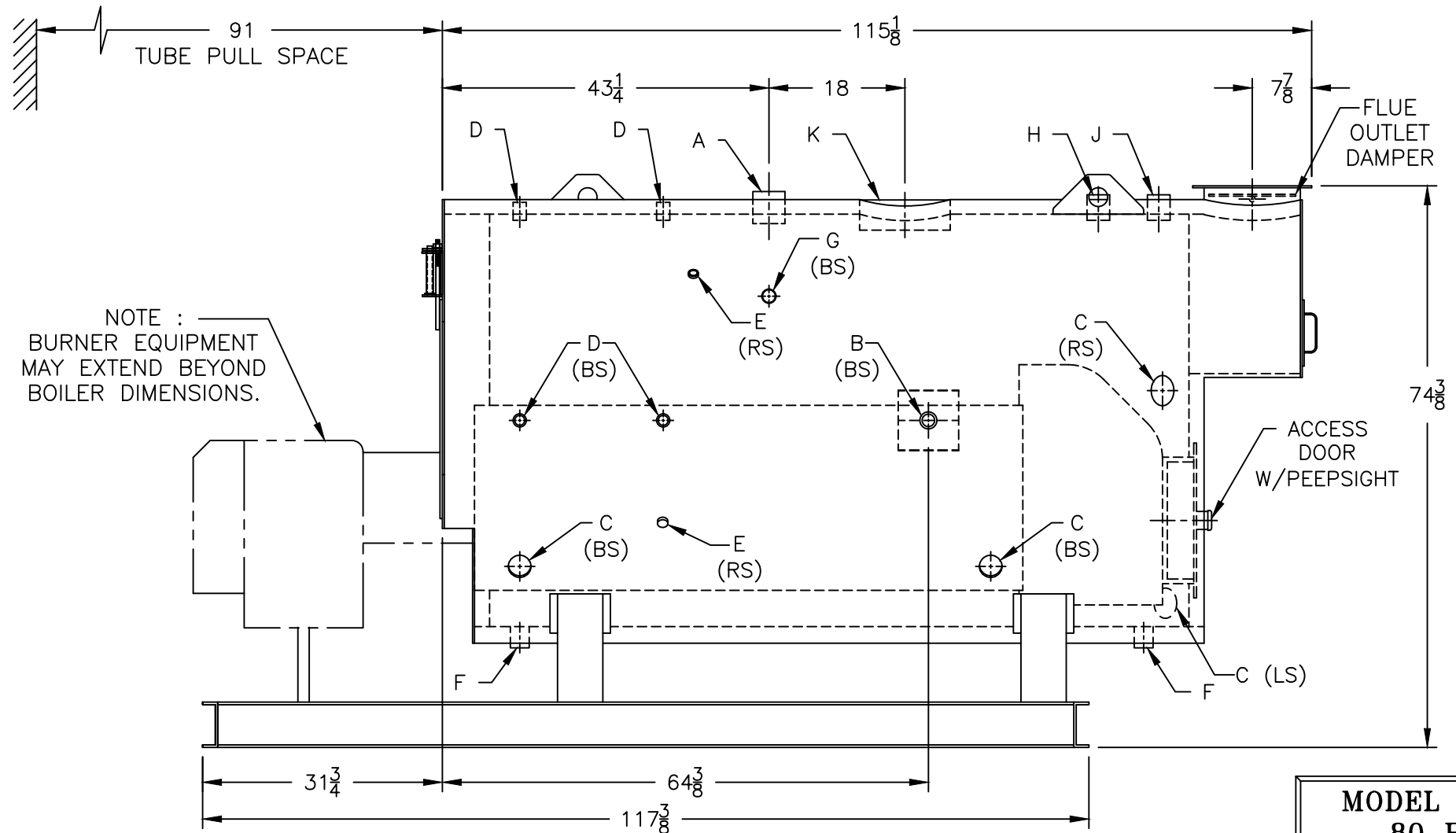
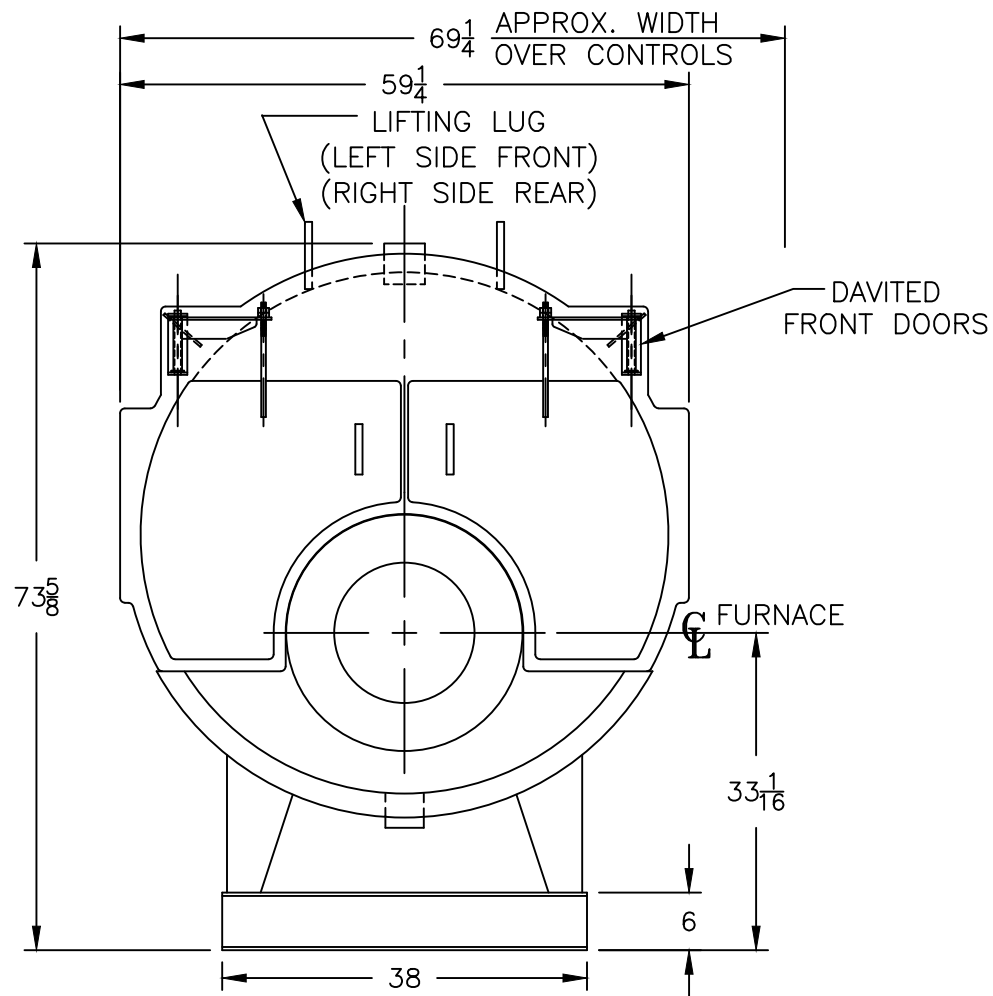
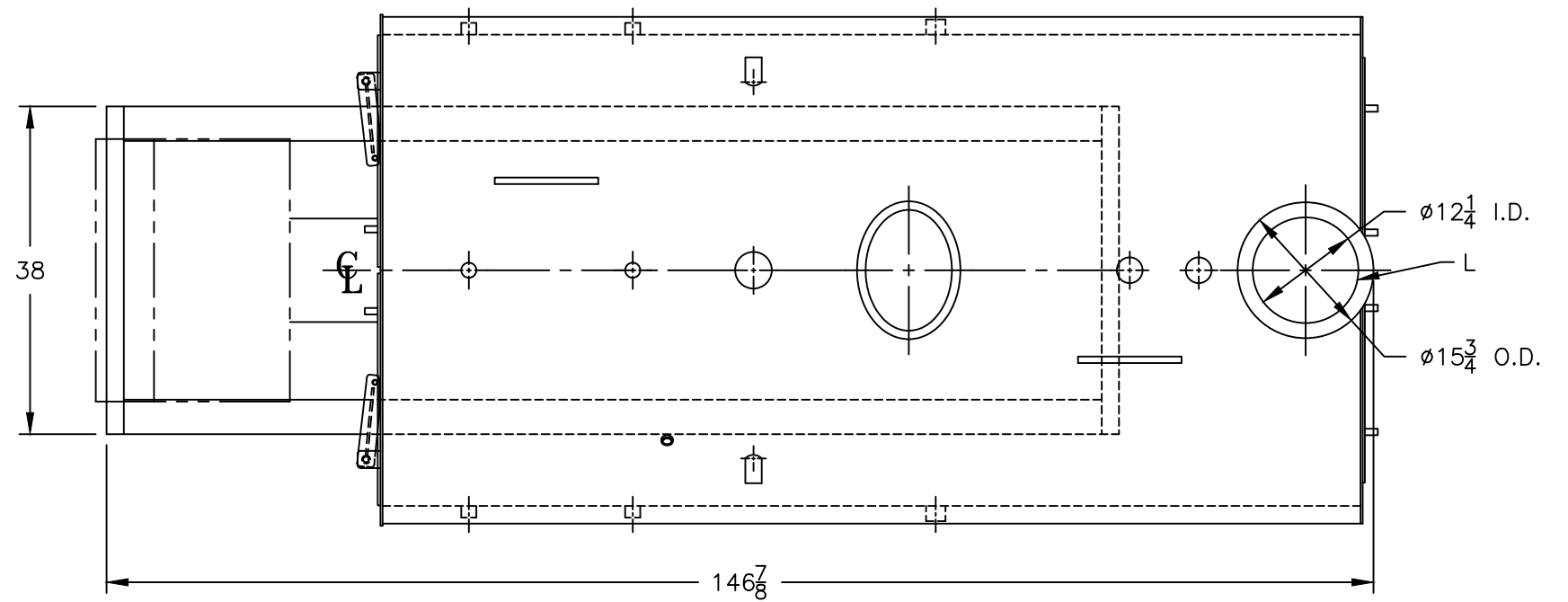
Heating Surface - Sq. Ft.
 Fireside - 400
 Firetubes
 Number - 106
 Diameter - 2" O.D.

Firing Rate
 1000 BTU Gas (MBH) - 3348
 140000 BTU/Gal Oil (GPH) - 23.0
 150000 BTU/Gal Oil (GPH) - 21.5

Water Content
 Pounds - 4130
 Gallons (U.S.) - 496
 Approximate Weight/LBS.
 Dry - 6700
 Wet - 10830

LEGEND CONNECTIONS

- A = 3" SUPPLY
- B = 1-1/4" RETURN
- C = 3" x 4" HANDHOLE
- D = 1" WATER COLUMN
- E = 3/4" AQUASTAT
- F = 1-1/2" BOTTOM BLOWDOWN
- G = 1-1/2" SURFACE BLOWOFF
- H = 2" AUXILIARY CONNECTION
- J = 2" SAFETY VALVE
- K = 12" X 16" MANHOLE
- L = 12" NOMINAL FLUE DIAMETER



MODEL 3P-80
80 BHP
150 PSI STEAM

SPECIFICATIONS SUBJECT TO CHANGE WITHOUT NOTICE ALL CONNECTIONS ARE THREADED UNLESS OTHERWISE SPECIFIED
 THIS DOCUMENT CONTAINS CONFIDENTIAL INFORMATION WHICH IS THE PROPERTY OF BURNHAM COMMERCIAL. THIS DOCUMENT MAY NOT BE REPRODUCED, TRANSFERRED OR USED, OR ITS CONTENTS DISCLOSED, WITHOUT THE WRITTEN PERMISSION OF THE OWNER.