

BURNHAM®

Commercial Boilers

LEGEND CONNECTIONS

- A = 3" SUPPLY
- B = 1-1/4" RETURN
- C = 3" x 4" HANDHOLE
- D = 1" WATER COLUMN
- E = 3/4" AQUASTAT
- F = 1-1/2" BOTTOM BLOWDOWN
- G = 1-1/2" SURFACE BLOWOFF
- H = 2" AUXILIARY CONNECTION
- J = 2" SAFETY VALVE
- K = 12" X 16" MANHOLE
- L = 12" NOMINAL FLUE DIAMETER

RATINGS AND DATA

Shell Diameter : 54"
 Gross Output - BHP : 90
 Gross Output - MBH : 3013
 Gross Output - Lbs/Hr : 3105
 Net Rating - MBH : 2339
 Net Rating - Sq. Ft. : 9746
 Safety Valve - Lbs/Hr. : 3515

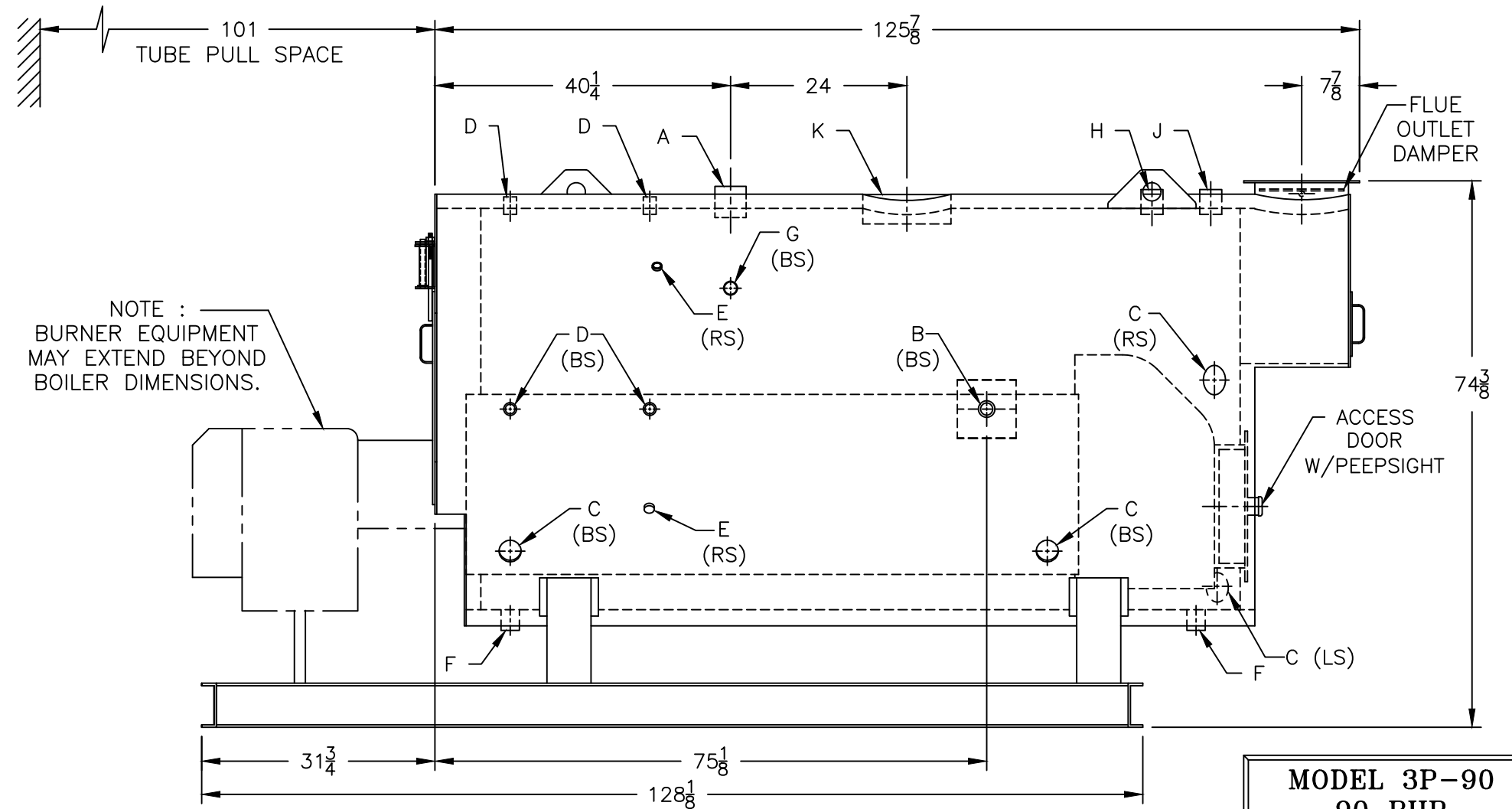
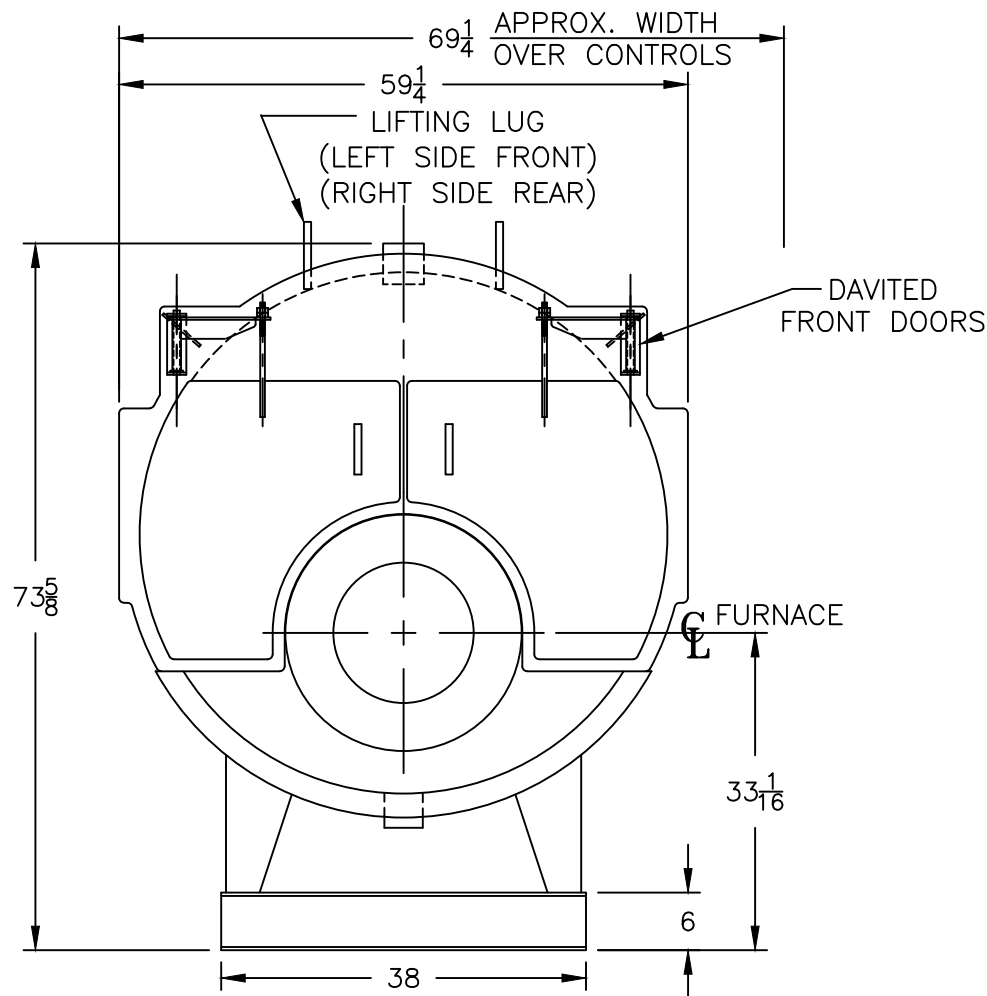
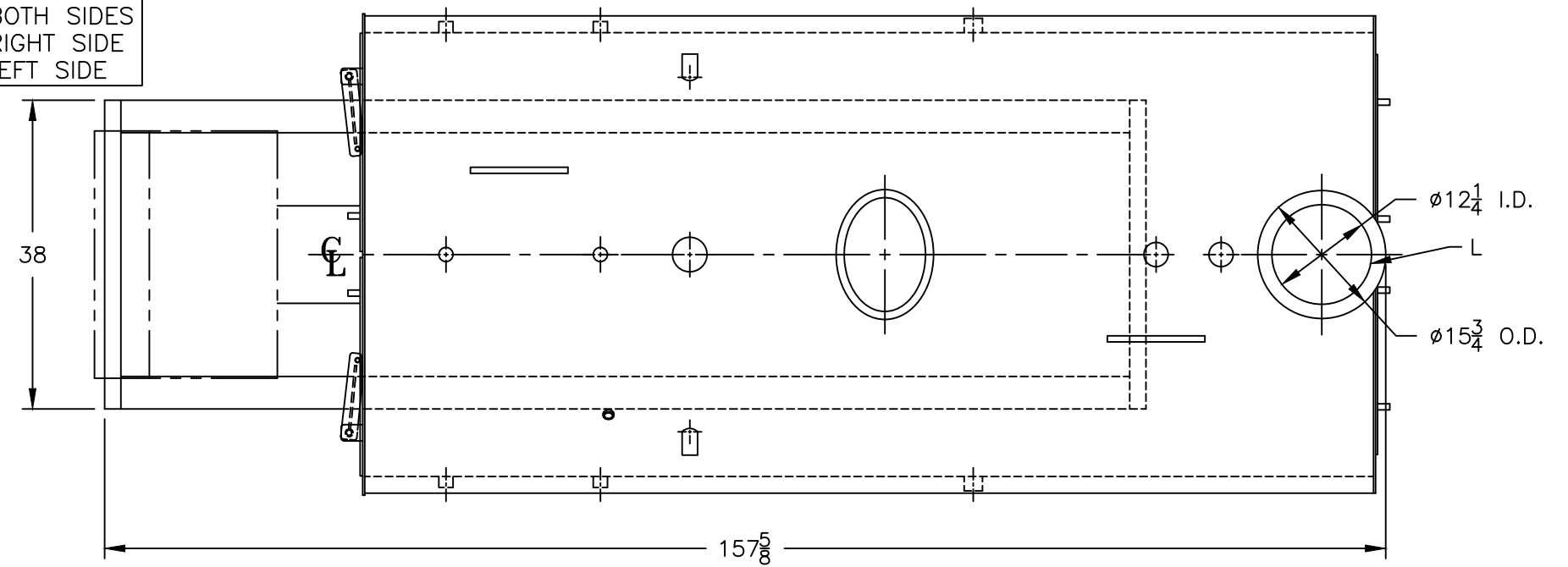
Heating Surface - Sq. Ft.
 Fireside - 450
 Firetubes
 Number - 106
 Diameter - 2" O.D.

Firing Rate
 1000 BTU Gas (MBH) - 3766
 140000 BTU/Gal Oil (GPH) - 25.9
 150000 BTU/Gal Oil (GPH) - 24.2

Water Content
 Pounds - 4637
 Gallons (U.S.) - 557
 Approximate Weight/LBS.
 Dry - 7200
 Wet - 11837

LEGEND

- BS = BOTH SIDES
- RS = RIGHT SIDE
- LS = LEFT SIDE



MODEL 3P-90
90 BHP
150 PSI STEAM

SPECIFICATIONS SUBJECT TO CHANGE WITHOUT NOTICE ALL CONNECTIONS ARE THREADED UNLESS OTHERWISE SPECIFIED
 THIS DOCUMENT CONTAINS CONFIDENTIAL INFORMATION WHICH IS THE PROPERTY OF BURNHAM COMMERCIAL. THIS DOCUMENT MAY NOT BE REPRODUCED, TRANSFERRED OR USED, OR ITS CONTENTS DISCLOSED, WITHOUT THE WRITTEN PERMISSION OF THE OWNER.