

# BURNHAM®

## Commercial Boilers

### RATINGS AND DATA

Shell Diameter : 66"  
 Gross Output - BHP : 127.2  
 Gross Output - MBH : 4257  
 Gross Output - Lbs/Hr : 4388  
 Net Rating - MBH : 3305  
 Net Rating - Sq. Ft. : 13772  
 Safety Valve - Lbs/Hr. : 5000

Heating Surface - Sq. Ft.  
 Fireside - 625  
 Firetubes  
 Number - 182  
 Diameter - 2" O.D.

Firing Rate  
 1000 BTU Gas (MBH) - 5230  
 140000 BTU/Gal Oil (GPH) - 35.7  
 150000 BTU/Gal Oil (GPH) - 33.3

Water Content  
 Pounds - 5464  
 Gallons (U.S.) - 655  
 Approximate Weight/LBS.  
 Dry - 8700  
 Wet - 14164

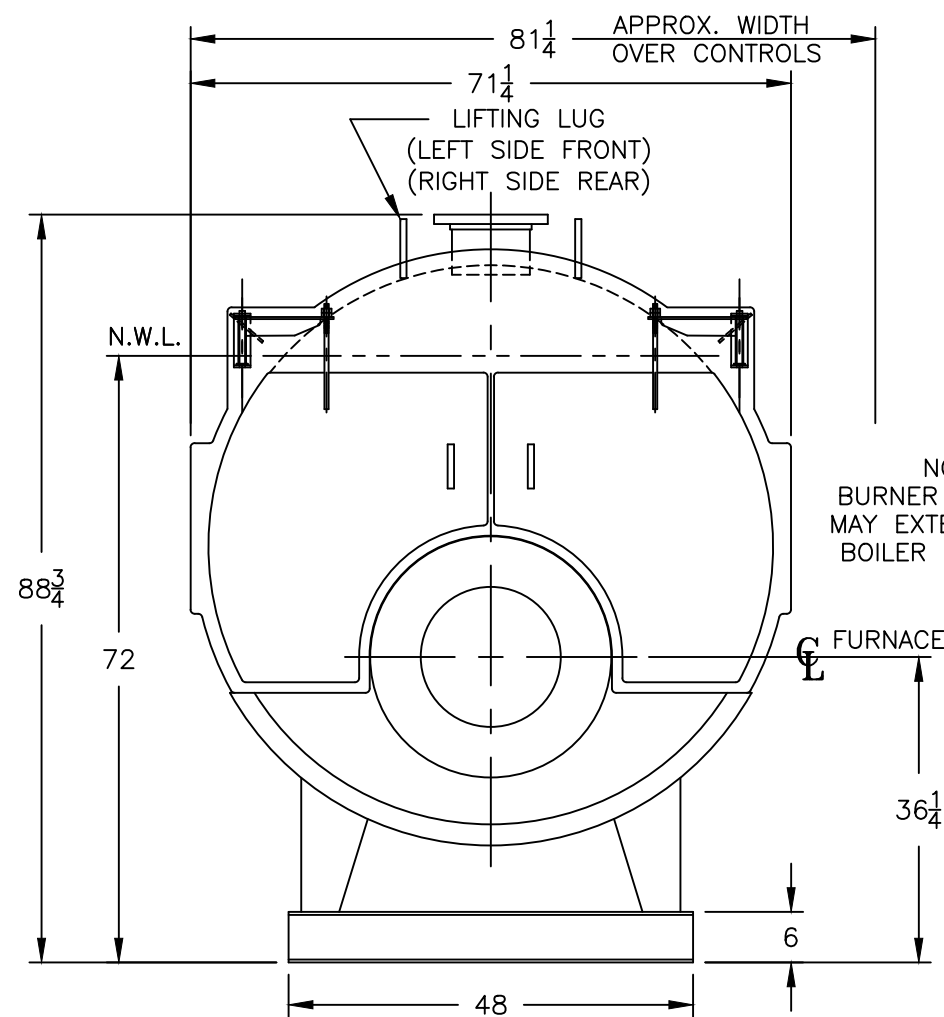
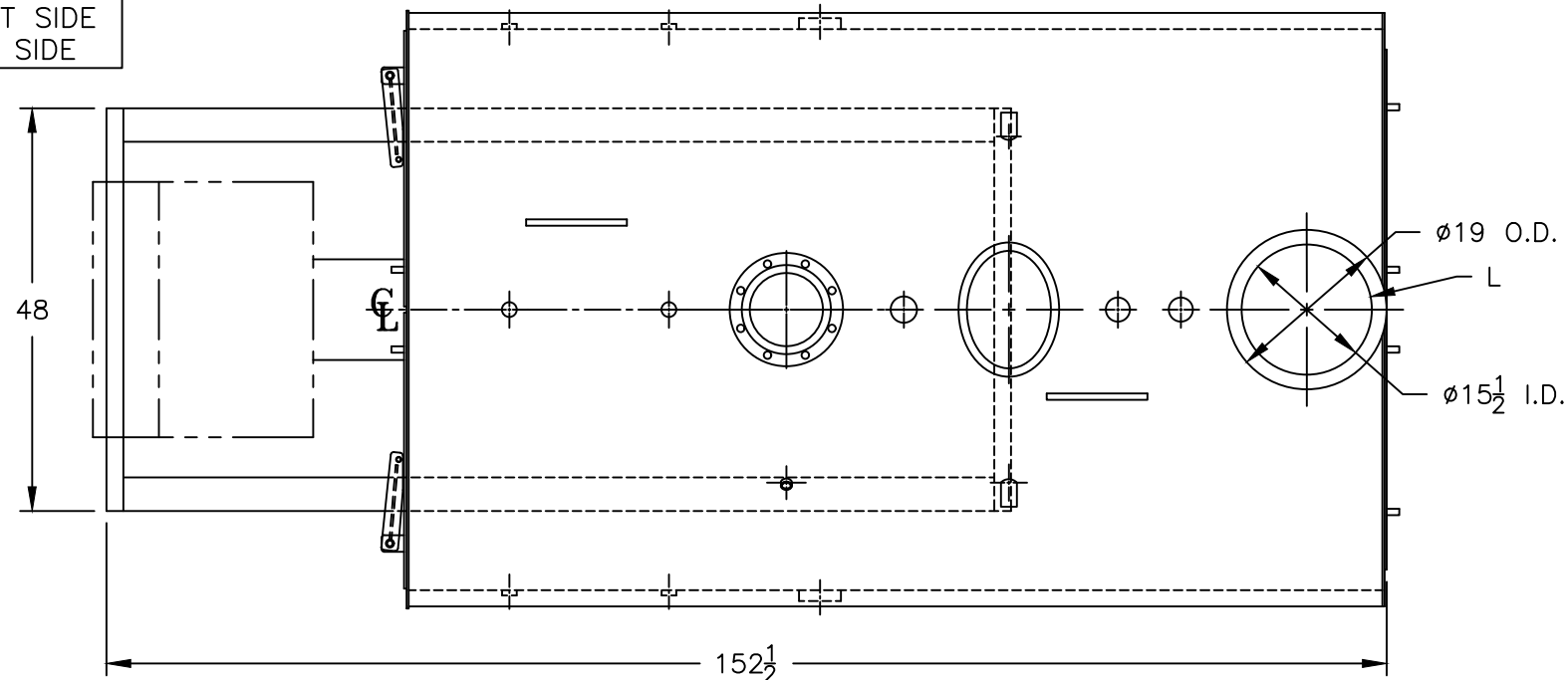
### LEGEND

BS = BOTH SIDES  
 RS = RIGHT SIDE  
 LS = LEFT SIDE

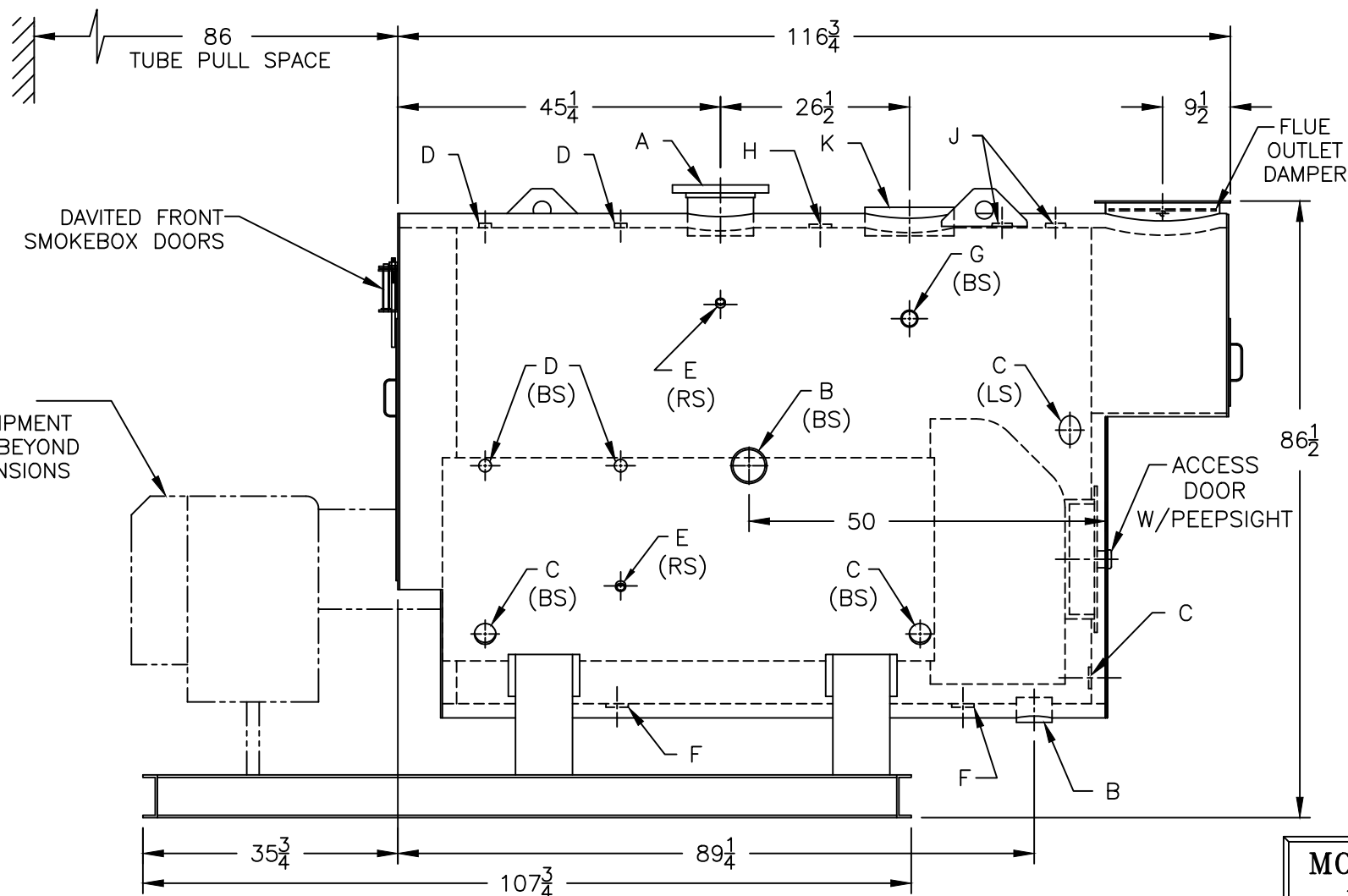
### LEGEND CONNECTIONS

- A = 8" FLANGED SUPPLY (150#)
- B = 4" RETURN
- C = 3" x 4" HANDHOLE
- D = 1" WATER COLUMN
- E = 3/4" AQUASTAT
- F = 2" BOTTOM BLOWDOWN
- G = 2" SURFACE BLOWOFF
- H = 2" AUXILIARY CONNECTION
- J = 2" SAFETY VALVE (2)
- K = 12" x 16" MANHOLE
- L = 16" NOMINAL FLUE DIAMETER

### PROJECT: STANDARD BOILER



NOTE :  
 BURNER EQUIPMENT  
 MAY EXTEND BEYOND  
 BOILER DIMENSIONS



**MODEL 3L-125**  
**127.2 BHP**  
**15 PSI STEAM**