

# BURNHAM®

## Commercial Boilers

### RATINGS AND DATA

Shell Diameter : 66"  
 Gross Output - BHP : 155.4  
 Gross Output - MBH : 5204  
 Gross Output - Lbs/Hr : 5363  
 Net Rating - MBH : 4040  
 Net Rating - Sq. Ft. : 16834  
 Safety Valve - Lbs/Hr. : 6000

Heating Surface - Sq. Ft.  
 Fireside - 750  
 Firetubes  
 Number - 182  
 Diameter - 2" O.D.

Firing Rate  
 1000 BTU Gas (MBH) - 6277  
 140000 BTU/Gal Oil (GPH) - 43.1  
 150000 BTU/Gal Oil (GPH) - 40.2

Water Content  
 Pounds - 6551  
 Gallons (U.S.) - 785  
 Approximate Weight/LBS.  
 Dry - 9700  
 Wet - 16251

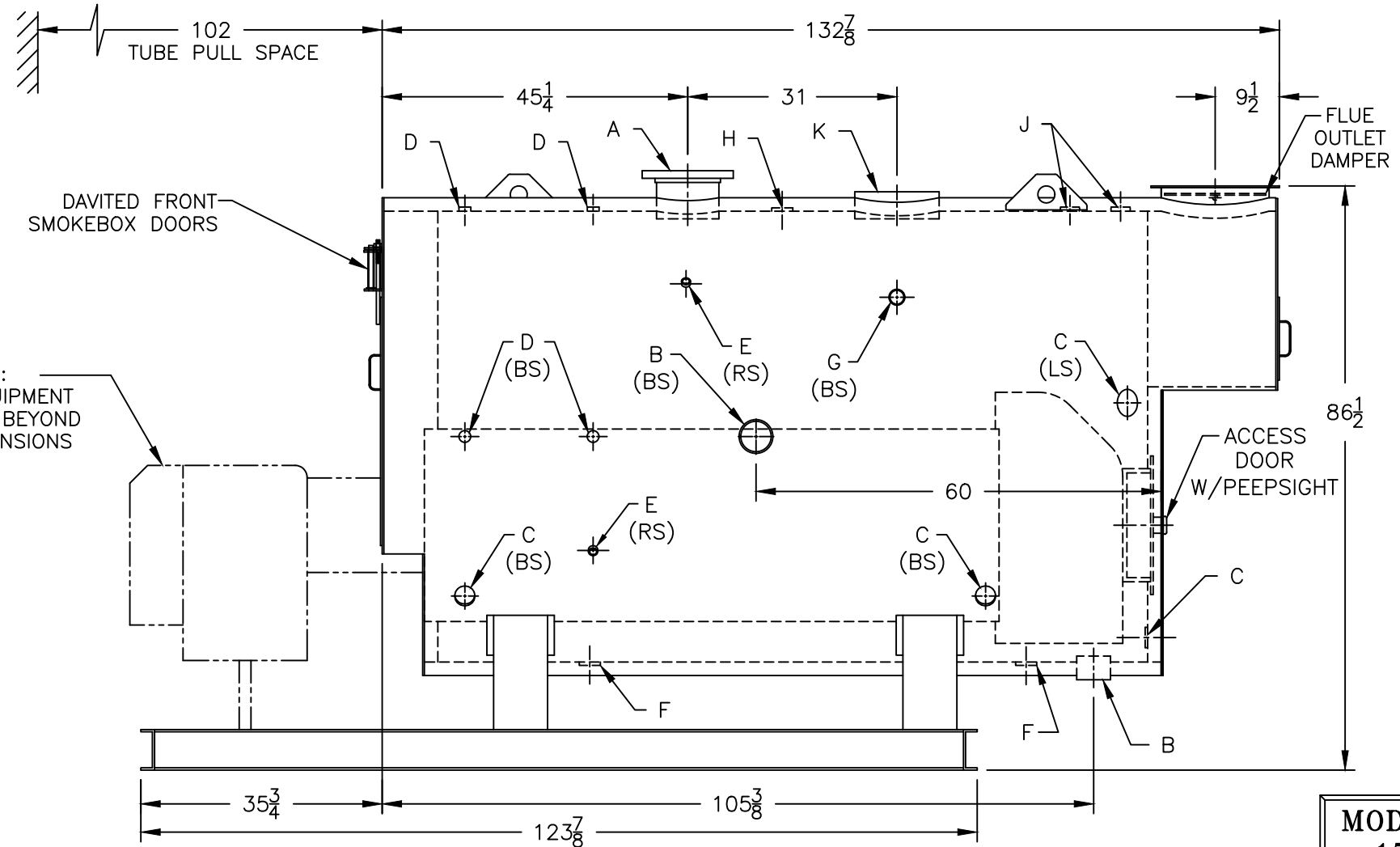
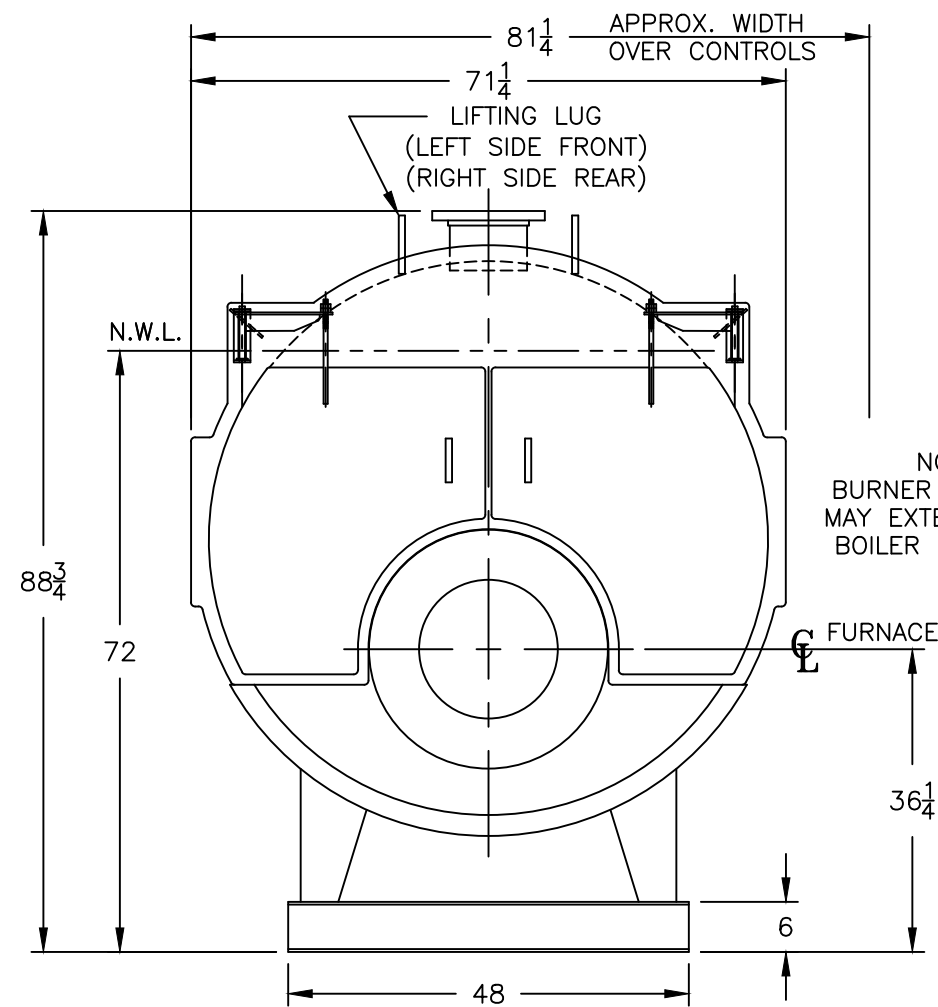
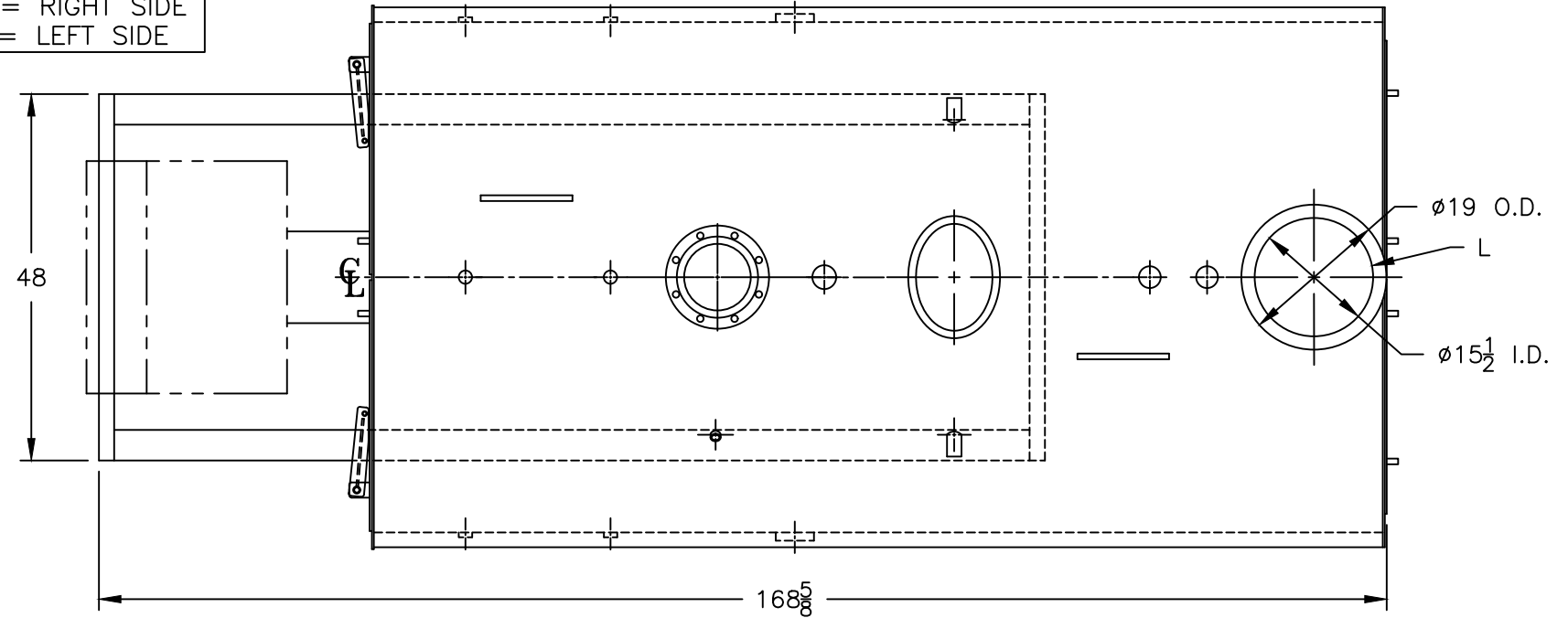
### LEGEND CONNECTIONS

- A = 8" FLANGED SUPPLY (150#)
- B = 4" RETURN
- C = 3" x 4" HANDHOLE
- D = 1" WATER COLUMN
- E = 3/4" AQUASTAT
- F = 2" BOTTOM BLOWDOWN
- G = 2" SURFACE BLOWOFF
- H = 2" AUXILIARY CONNECTION
- J = 2" SAFETY VALVE (2)
- K = 12" x 16" MANHOLE
- L = 16" NOMINAL FLUE DIAMETER

### LEGEND

- BS = BOTH SIDES
- RS = RIGHT SIDE
- LS = LEFT SIDE

### PROJECT: STANDARD BOILER



NOTE :  
 BURNER EQUIPMENT  
 MAY EXTEND BEYOND  
 BOILER DIMENSIONS

**MODEL 3L-150**  
**155.4 BHP**  
**15 PSI STEAM**

SPECIFICATIONS SUBJECT TO CHANGE WITHOUT NOTICE ALL CONNECTIONS ARE THREADED UNLESS OTHERWISE SPECIFIED

THIS DOCUMENT CONTAINS CONFIDENTIAL INFORMATION WHICH IS THE PROPERTY OF BURNHAM COMMERCIAL. THIS DOCUMENT MAY NOT BE REPRODUCED, TRANSFERRED OR USED, OR ITS CONTENTS DISCLOSED, WITHOUT THE WRITTEN PERMISSION OF THE OWNER.