

# BURNHAM®

## Commercial Boilers

### LEGEND CONNECTIONS

- A = 8" FLANGED SUPPLY (150#)
- B = 4" RETURN
- C = 3" x 4" HANDHOLE
- D = 1" WATER COLUMN
- E = 3/4" AQUASTAT
- F = 2" BOTTOM BLOWDOWN
- G = 2" SURFACE BLOWOFF
- H = 2" AUXILIARY CONNECTION
- J = 2-1/2" SAFETY VALVE
- 2" SAFETY VALVE
- K = 12" x 16" MANHOLE
- L = 16" NOMINAL FLUE DIAMETER

### RATINGS AND DATA

Shell Diameter : 66"  
 Gross Output - BHP : 183.5  
 Gross Output - MBH : 6144  
 Gross Output - Lbs/Hr : 6333  
 Net Rating - MBH : 4770  
 Net Rating - Sq. Ft. : 19876  
 Safety Valve - Lbs/Hr. : 7000

Heating Surface - Sq. Ft.  
 Fireside - 875  
 Firetubes  
 Number - 182  
 Diameter - 2" O.D.

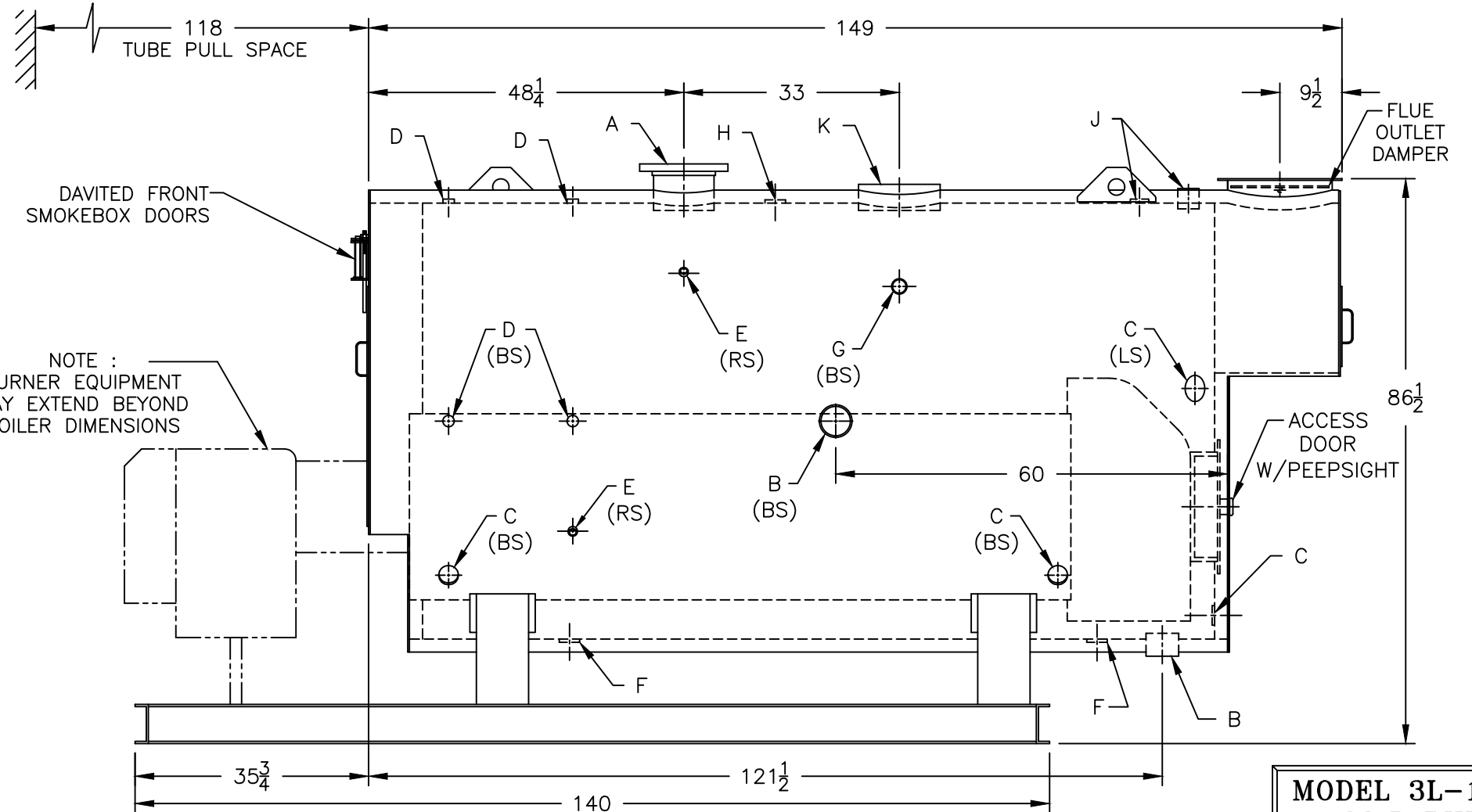
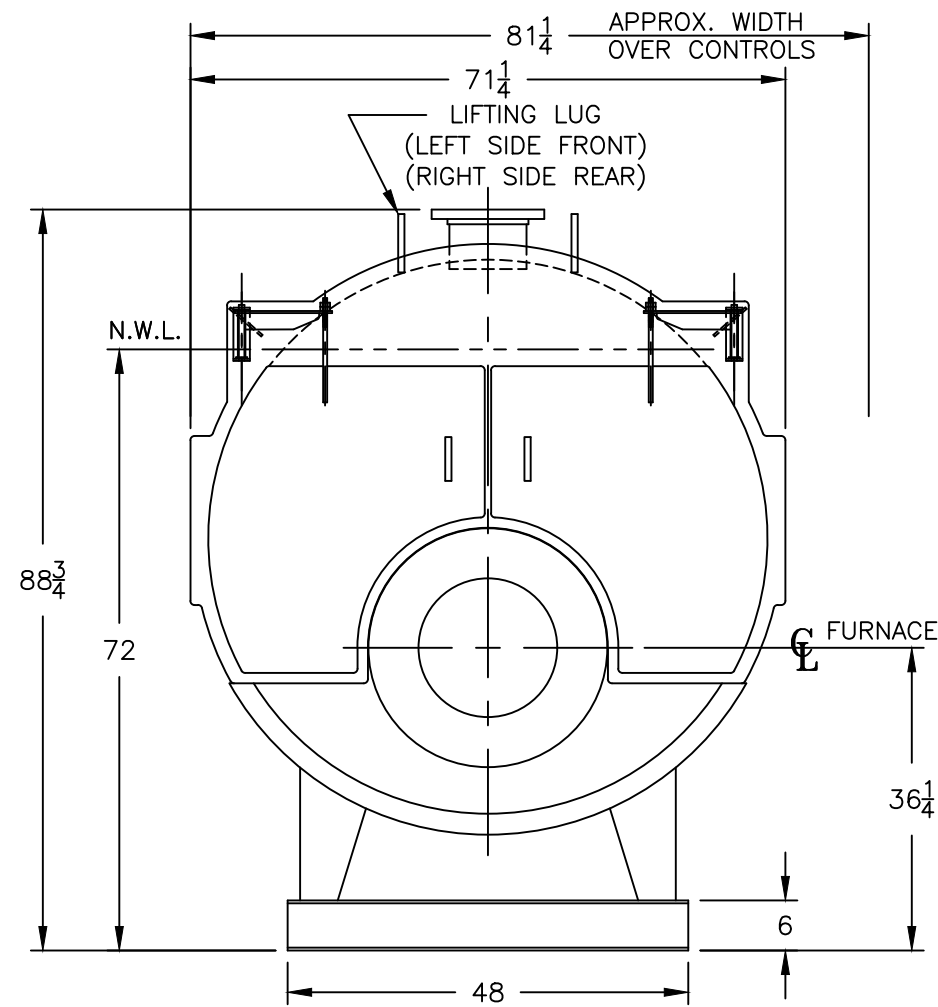
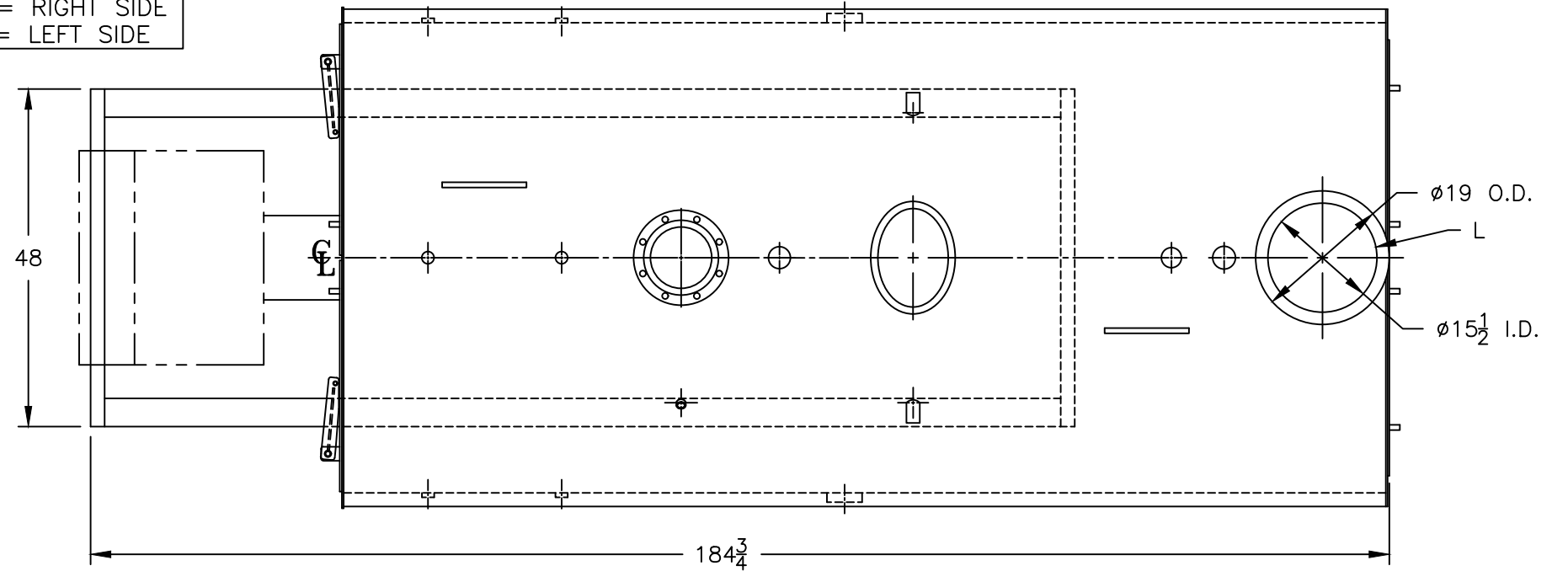
Firing Rate  
 1000 BTU Gas (MBH) - 7323  
 140000 BTU/Gal Oil (GPH) - 50.3  
 150000 BTU/Gal Oil (GPH) - 46.9

Water Content  
 Pounds - 7638  
 Gallons (U.S.) - 916  
 Approximate Weight/LBS.  
 Dry - 10900  
 Wet - 18538

### LEGEND

- BS = BOTH SIDES
- RS = RIGHT SIDE
- LS = LEFT SIDE

### PROJECT: STANDARD BOILER



**MODEL 3L-175**  
**183.5 BHP**  
**15 PSI STEAM**

SPECIFICATIONS SUBJECT TO CHANGE WITHOUT NOTICE ALL CONNECTIONS ARE THREADED UNLESS OTHERWISE SPECIFIED

THIS DOCUMENT CONTAINS CONFIDENTIAL INFORMATION WHICH IS THE PROPERTY OF BURNHAM COMMERCIAL. THIS DOCUMENT MAY NOT BE REPRODUCED, TRANSFERRED OR USED, OR ITS CONTENTS DISCLOSED, WITHOUT THE WRITTEN PERMISSION OF THE OWNER.