

BURNHAM®

Commercial Boilers

RATINGS AND DATA

Shell Diameter : 78"
 Gross Output - BHP : 314.6
 Gross Output - MBH : 10532
 Gross Output - Lbs/Hr : 10855
 Net Rating - MBH : 8177
 Net Rating - Sq. Ft. : 34071
 Safety Valve - Lbs/Hr. : 12000

Heating Surface - Sq. Ft.
 Fireside - 1500
 Firetubes
 Number - 186
 Diameter - 2.5" O.D.

Firing Rate
 1000 BTU Gas (MBH) - 12553
 140000 BTU/Gal Oil (GPH) - 86.3
 150000 BTU/Gal Oil (GPH) - 80.5

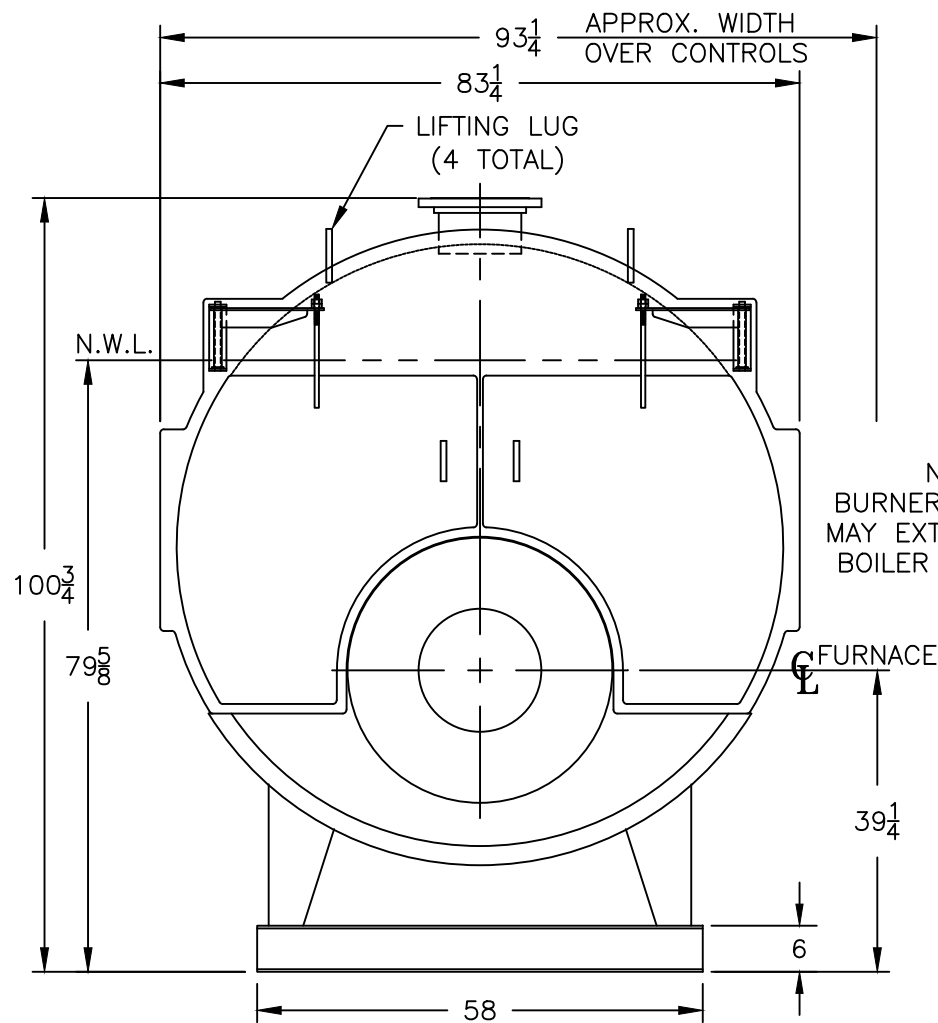
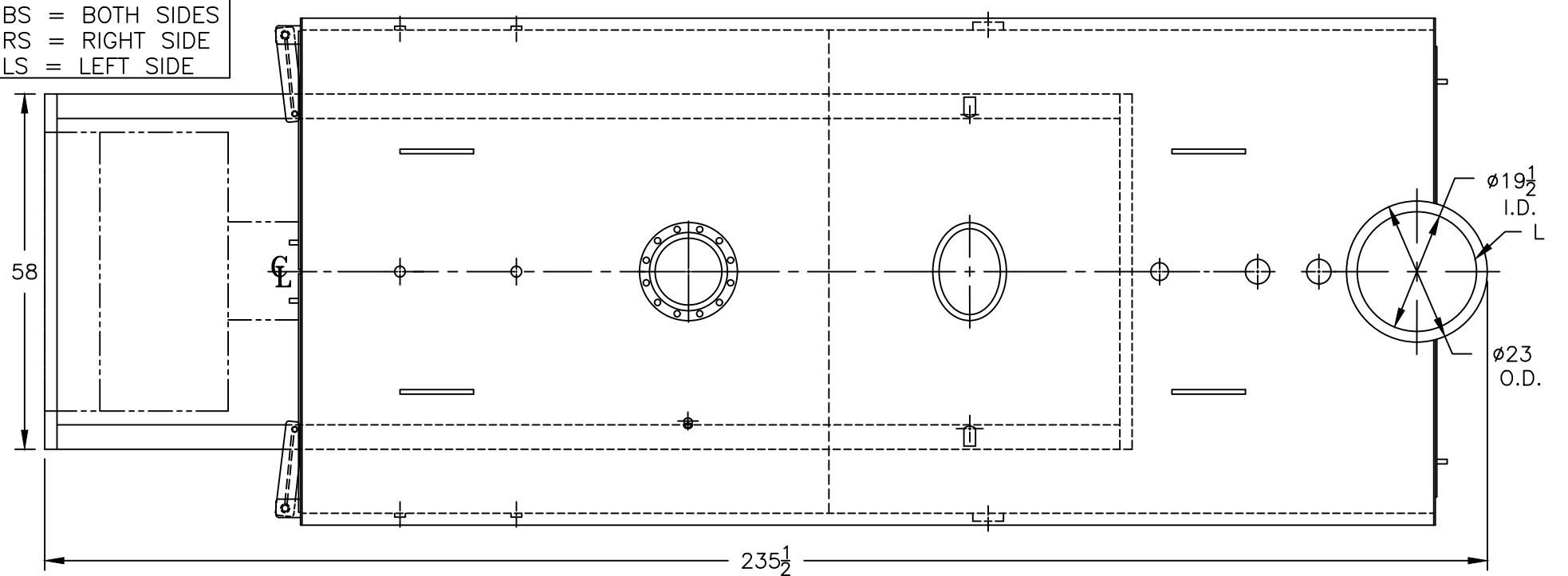
Water Content
 Pounds - 12586
 Gallons (U.S.) - 1511
 Approximate Weight/LBS.
 Dry - 18100
 Wet - 30686

LEGEND CONNECTIONS

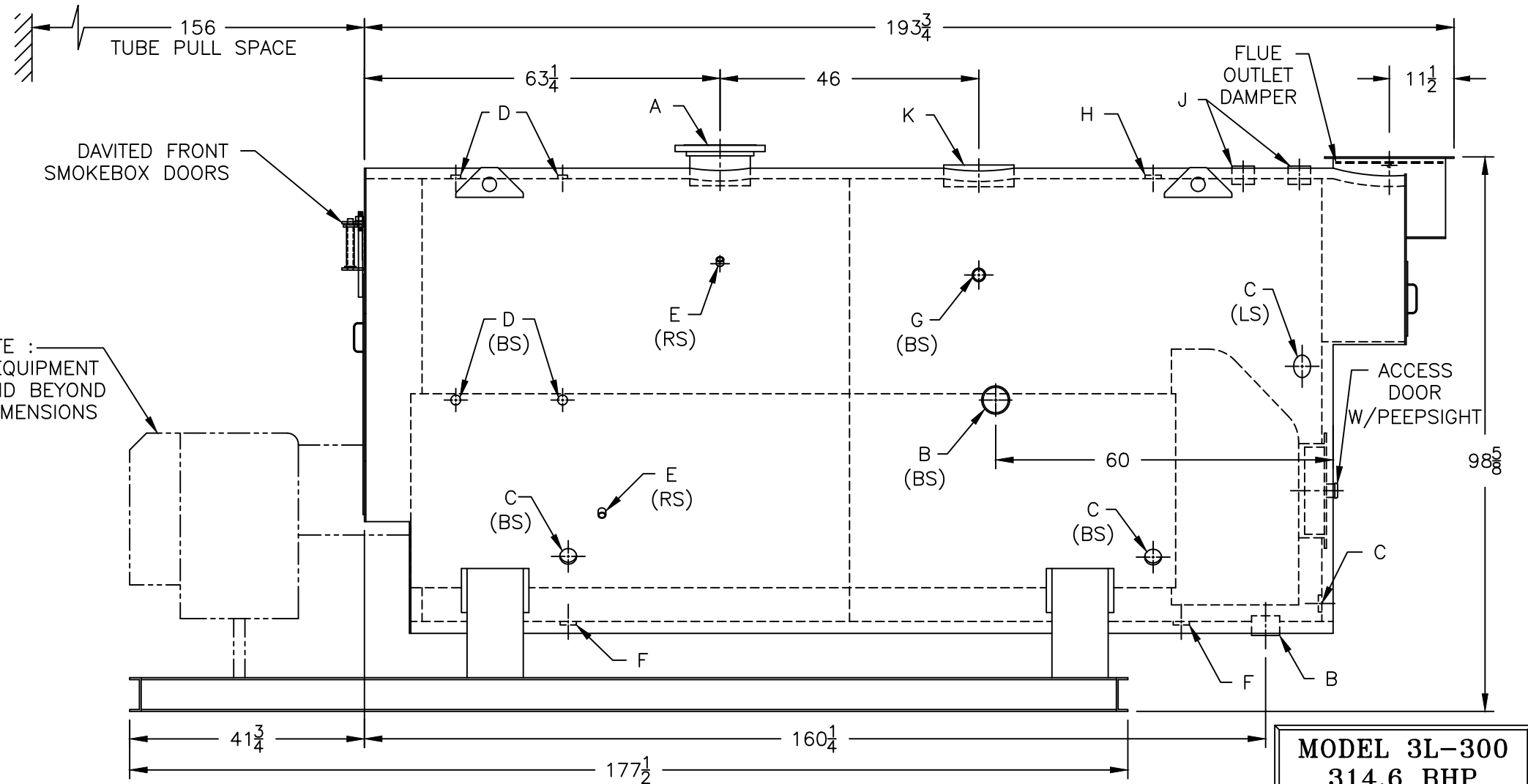
- A = 10" FLANGED SUPPLY (150#)
- B = 4" RETURN
- C = 3" x 4" HANDHOLE
- D = 1" WATER COLUMN
- E = 3/4" AQUASTAT
- F = 2" BOTTOM BLOWDOWN
- G = 2" SURFACE BLOWOFF
- H = 2" AUXILIARY CONNECTION
- J = 3" SAFETY VALVE (2)
- K = 12" x 16" MANHOLE
- L = 20" NOMINAL FLUE DIAMETER

LEGEND

- BS = BOTH SIDES
- RS = RIGHT SIDE
- LS = LEFT SIDE



PROJECT: STANDARD BOILER



NOTE :
 BURNER EQUIPMENT
 MAY EXTEND BEYOND
 BOILER DIMENSIONS

MODEL 3L-300
314.6 BHP
15 PSI STEAM

SPECIFICATIONS SUBJECT TO CHANGE WITHOUT NOTICE ALL CONNECTIONS ARE THREADED UNLESS OTHERWISE SPECIFIED

THIS DOCUMENT CONTAINS CONFIDENTIAL INFORMATION WHICH IS THE PROPERTY OF BURNHAM COMMERCIAL. THIS DOCUMENT MAY NOT BE REPRODUCED, TRANSFERRED OR USED, OR ITS CONTENTS DISCLOSED, WITHOUT THE WRITTEN PERMISSION OF THE OWNER.