

BURNHAM®

Commercial Boilers

LEGEND CONNECTIONS

- A = 10" FLANGED SUPPLY (150#)
- B = 4" RETURN
- C = 3" x 4" HANDHOLE
- D = 1" WATER COLUMN
- E = 3/4" AQUASTAT
- F = 2" BOTTOM BLOWDOWN
- G = 2" SURFACE BLOWOFF
- H = 2" AUXILIARY CONNECTION
- J = 2" SAFETY VALVE (1)
3" SAFETY VALVE (2)
- K = 12" x 16" MANHOLE
- L = 24" NOMINAL FLUE DIAMETER

RATINGS AND DATA

Shell Diameter : 90"
 Gross Output - BHP : 360.1
 Gross Output - MBH : 12053
 Gross Output - Lbs/Hr : 12422
 Net Rating - MBH : 9358
 Net Rating - Sq. Ft. : 38991
 Safety Valve - Lbs/Hr. : 14000

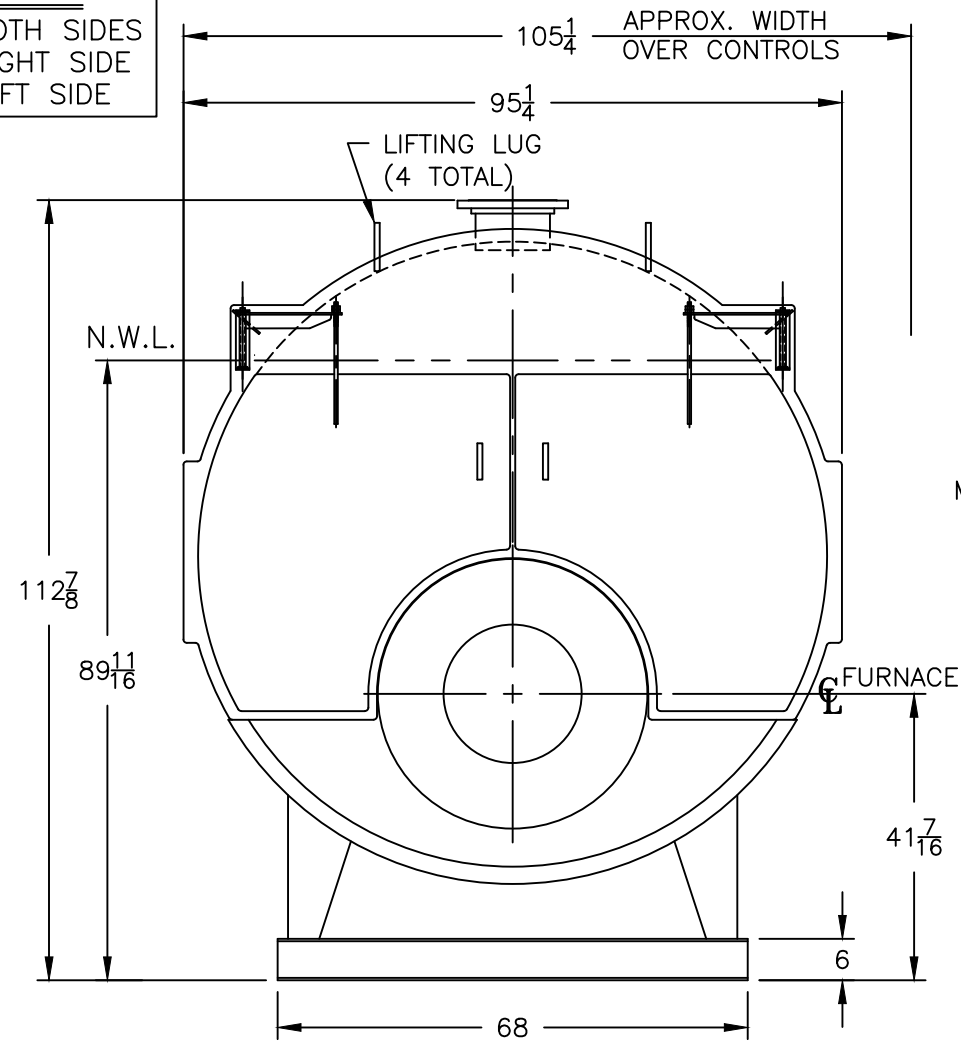
Heating Surface - Sq. Ft.
 Fireside - 1750
 Firetubes
 Number - 268
 Diameter - 2.5" O.D.

Firing Rate
 1000 BTU Gas (MBH) - 14645
 140000 BTU/Gal Oil (GPH) - 100.1
 150000 BTU/Gal Oil (GPH) - 93.4

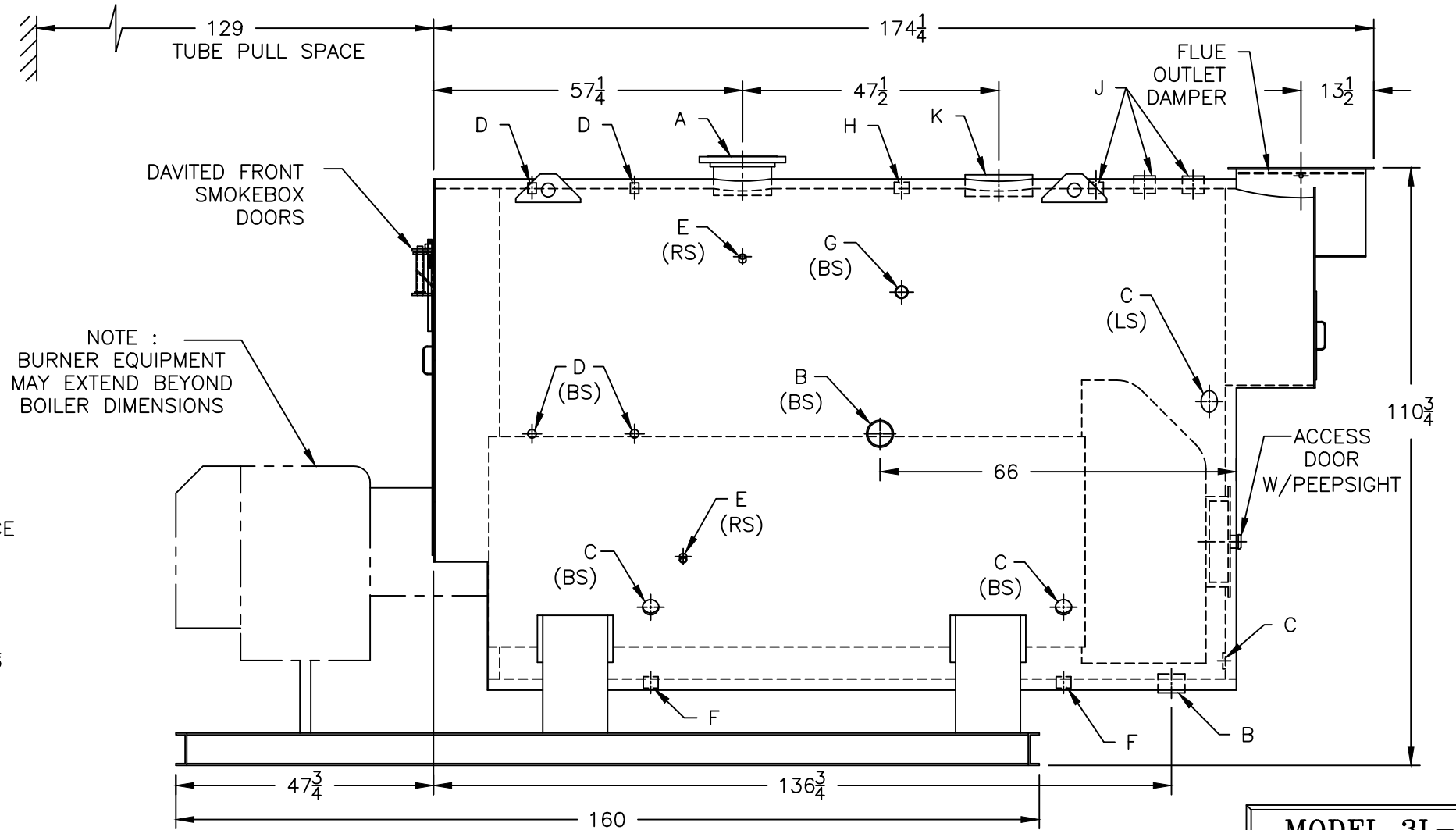
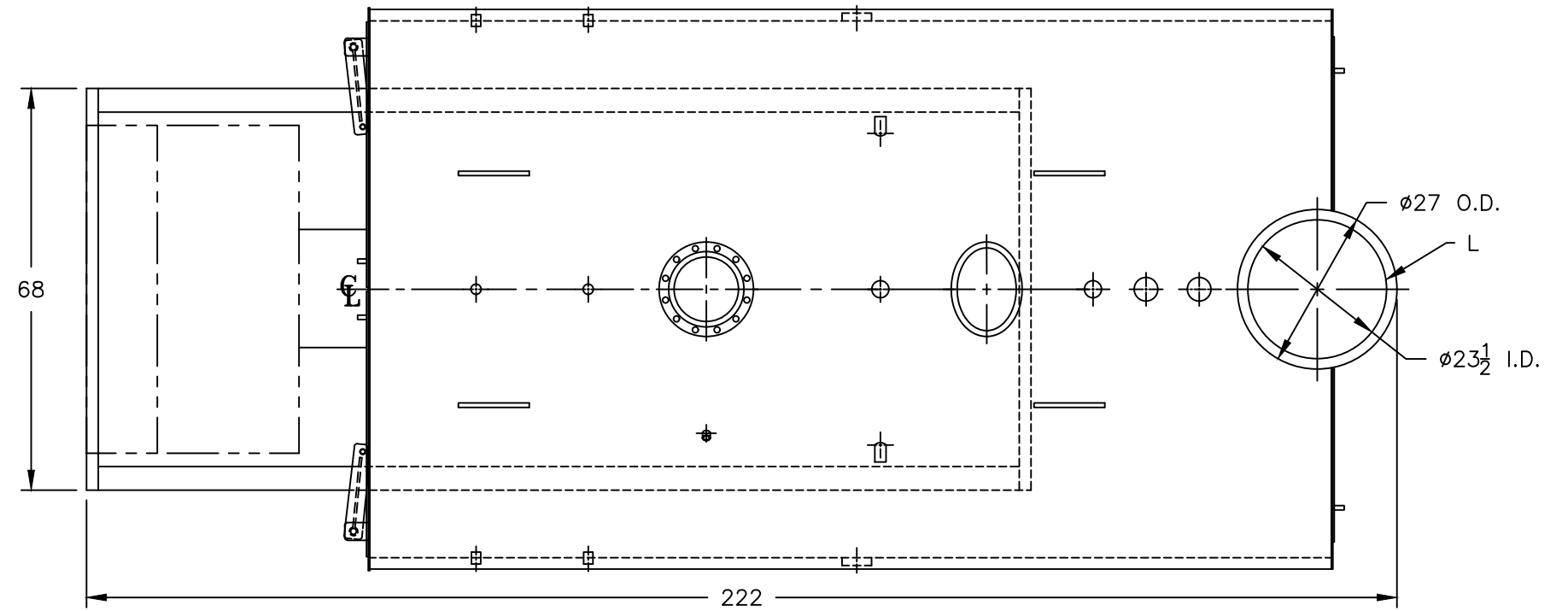
Water Content
 Pounds - 13681
 Gallons (U.S.) - 1642
 Approximate Weight/LBS.
 Dry - 21000
 Wet - 34681

LEGEND

BS = BOTH SIDES
 RS = RIGHT SIDE
 LS = LEFT SIDE



PROJECT: STANDARD BOILER



MODEL 3L-350
360.1 BHP
15 PSI STEAM