

BURNHAM®

Commercial Boilers

LEGEND CONNECTIONS

- A = 12" FLANGED SUPPLY (150#)
- B = 4" RETURN
- C = 3" x 4" HANDHOLE
- D = 1" WATER COLUMN
- E = 3/4" AQUASTAT
- F = 2" BOTTOM BLOWDOWN
- G = 2" SURFACE BLOWOFF
- H = 2" AUXILIARY CONNECTION
- J = 2" SAFETY VALVE (1)
3" SAFETY VALVE (2)
- K = 12" x 16" MANHOLE
- L = 24" NOMINAL FLUE DIAMETER

RATINGS AND DATA

Shell Diameter : 90"
 Gross Output - BHP : 416.5
 Gross Output - MBH : 13943
 Gross Output - Lbs/Hr : 14370
 Net Rating - MBH : 10825
 Net Rating - Sq. Ft. : 45105
 Safety Valve - Lbs/Hr. : 16000

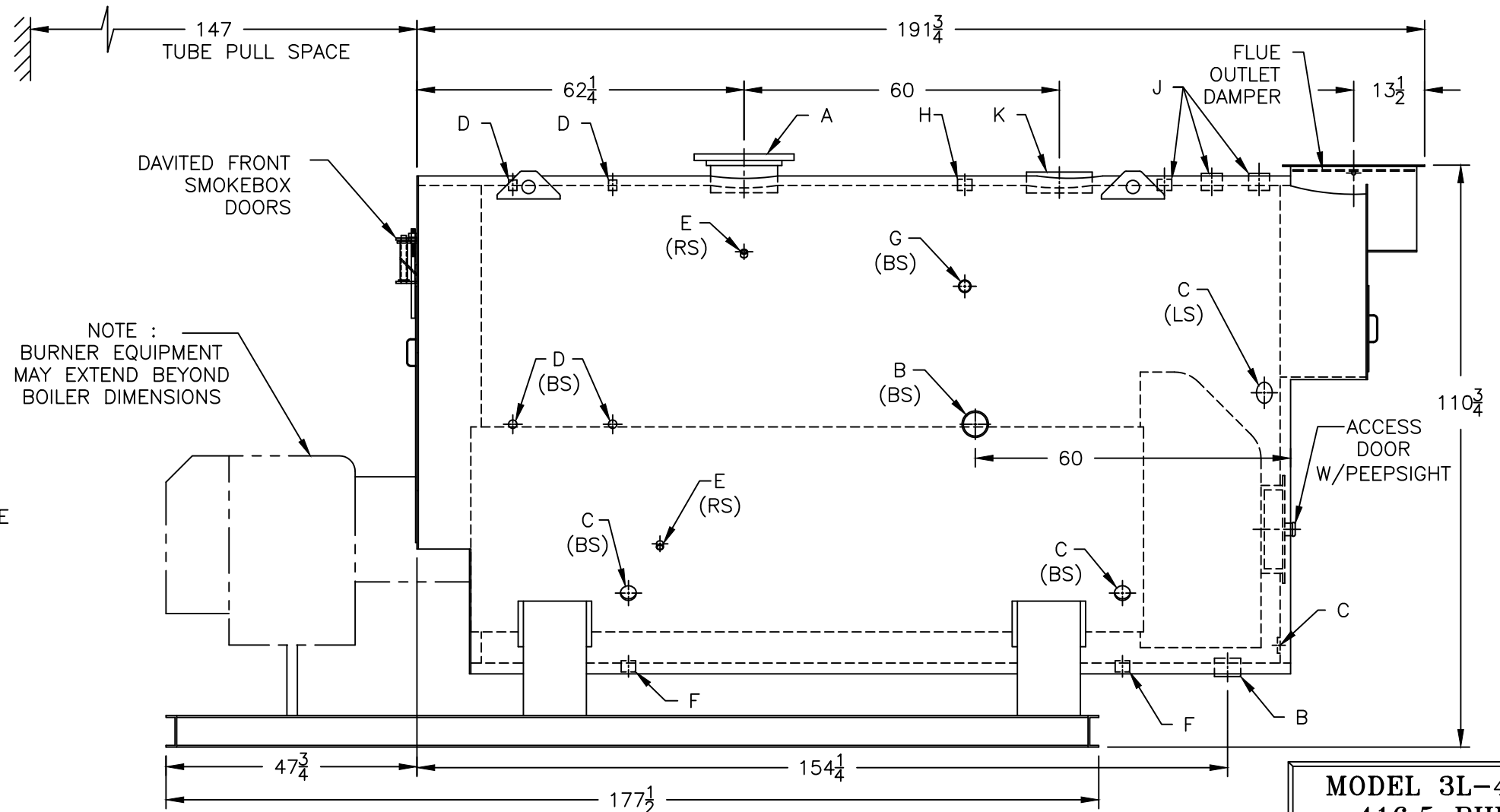
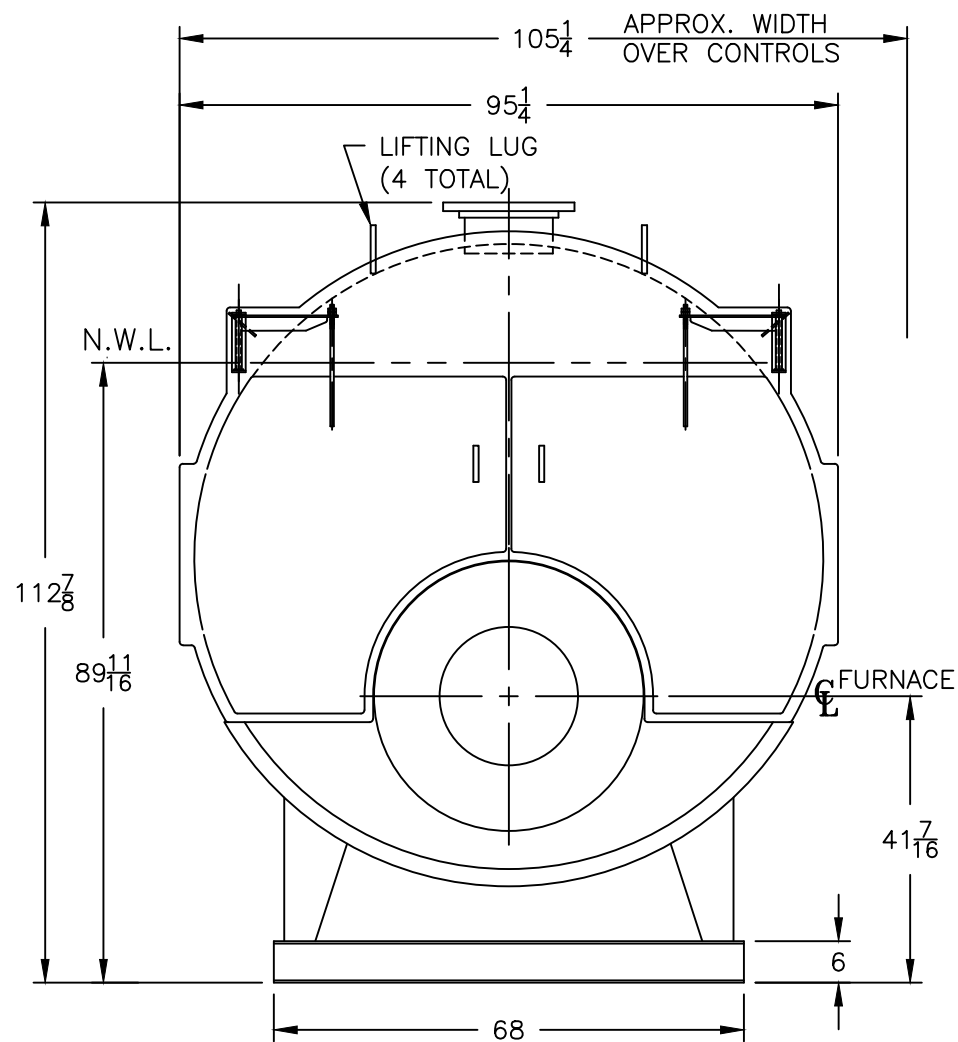
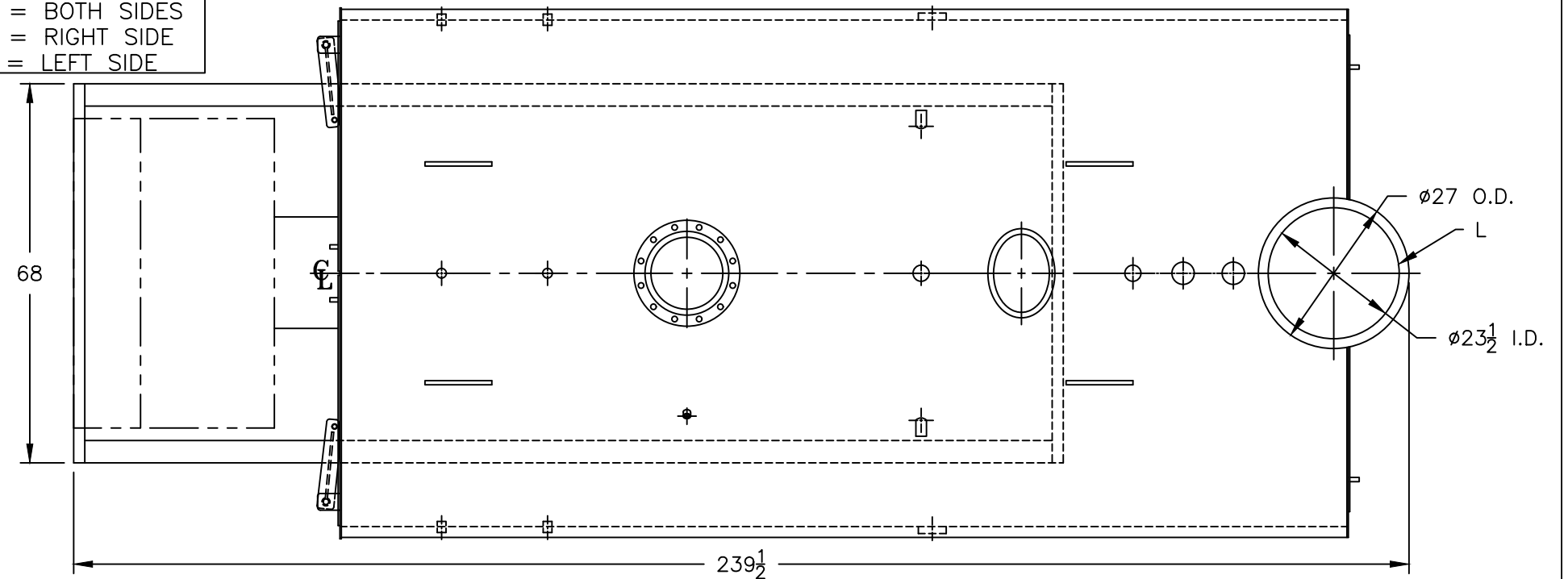
Heating Surface - Sq. Ft.
 Fireside - 2000
 Firetubes
 Number - 268
 Diameter - 2.5" O.D.

Firing Rate
 1000 BTU Gas (MBH) - 16738
 140000 BTU/Gal Oil (GPH) - 114.8
 150000 BTU/Gal Oil (GPH) - 107.1

Water Content
 Pounds - 15599
 Gallons (U.S.) - 1873
 Approximate Weight/LBS.
 Dry - 23200
 Wet - 38799

LEGEND

BS = BOTH SIDES
 RS = RIGHT SIDE
 LS = LEFT SIDE



PROJECT: STANDARD BOILER

MODEL 3L-400
416.5 BHP
15 PSI STEAM

SPECIFICATIONS SUBJECT TO CHANGE WITHOUT NOTICE ALL CONNECTIONS ARE THREADED UNLESS OTHERWISE SPECIFIED

THIS DOCUMENT CONTAINS CONFIDENTIAL INFORMATION WHICH IS THE PROPERTY OF BURNHAM COMMERCIAL. THIS DOCUMENT MAY NOT BE REPRODUCED, TRANSFERRED OR USED, OR ITS CONTENTS DISCLOSED, WITHOUT THE WRITTEN PERMISSION OF THE OWNER.