

# BURNHAM®

## Commercial Boilers

### LEGEND CONNECTIONS

- A = 12" FLANGED SUPPLY (150#)
- B = 4" RETURN
- C = 3" x 4" HANDHOLE
- D = 1" WATER COLUMN
- E = 3/4" AQUASTAT
- F = 2" BOTTOM BLOWDOWN
- G = 2" SURFACE BLOWOFF
- H = 2" AUXILIARY CONNECTION
- J = 2-1/2" SAFETY VALVE (3)  
3" RELIEF VALVE (1)
- K = 12" x 16" MANHOLE
- L = 28" NOMINAL FLUE DIAMETER

### RATINGS AND DATA

Shell Diameter : 102"  
 Gross Output - BHP : 520  
 Gross Output - MBH : 17407  
 Gross Output - Lbs/Hr : 17940  
 Net Rating - MBH : 13515  
 Net Rating - Sq. Ft. : 56312  
 Safety Valve - Lbs/Hr. : 20000

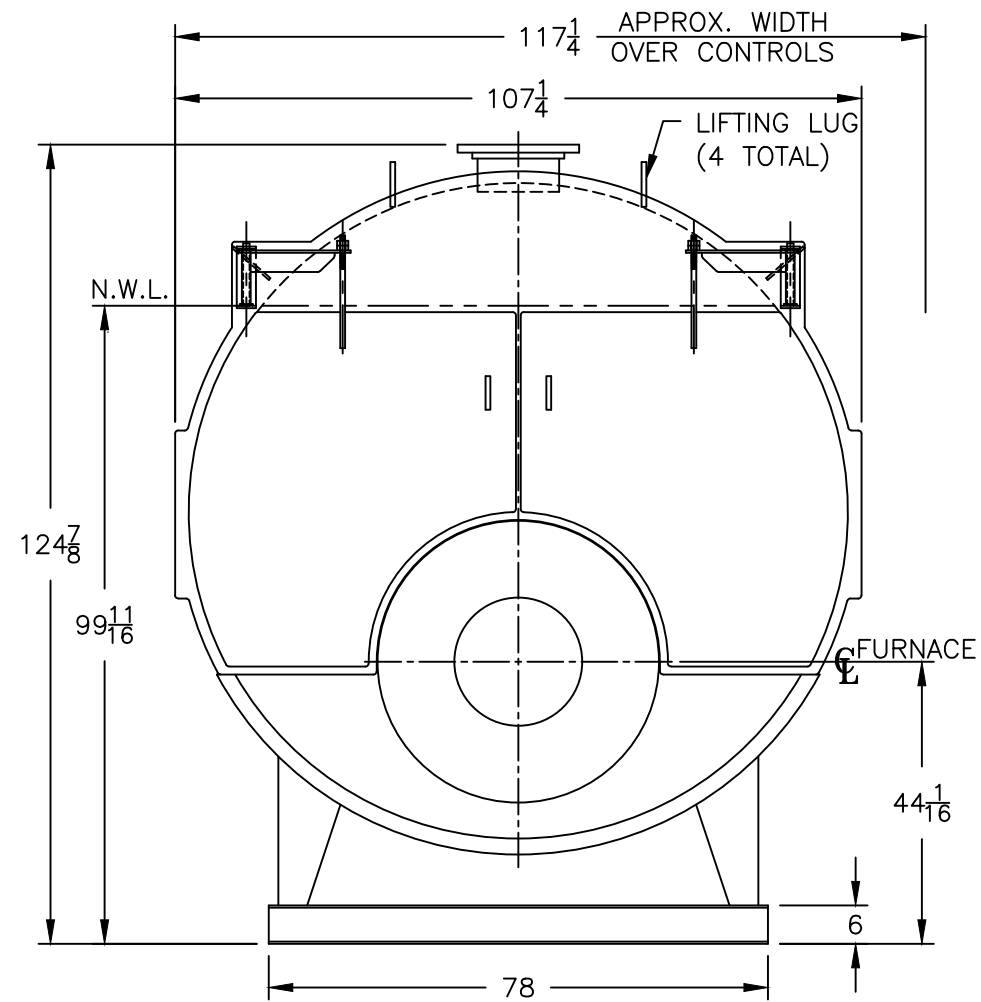
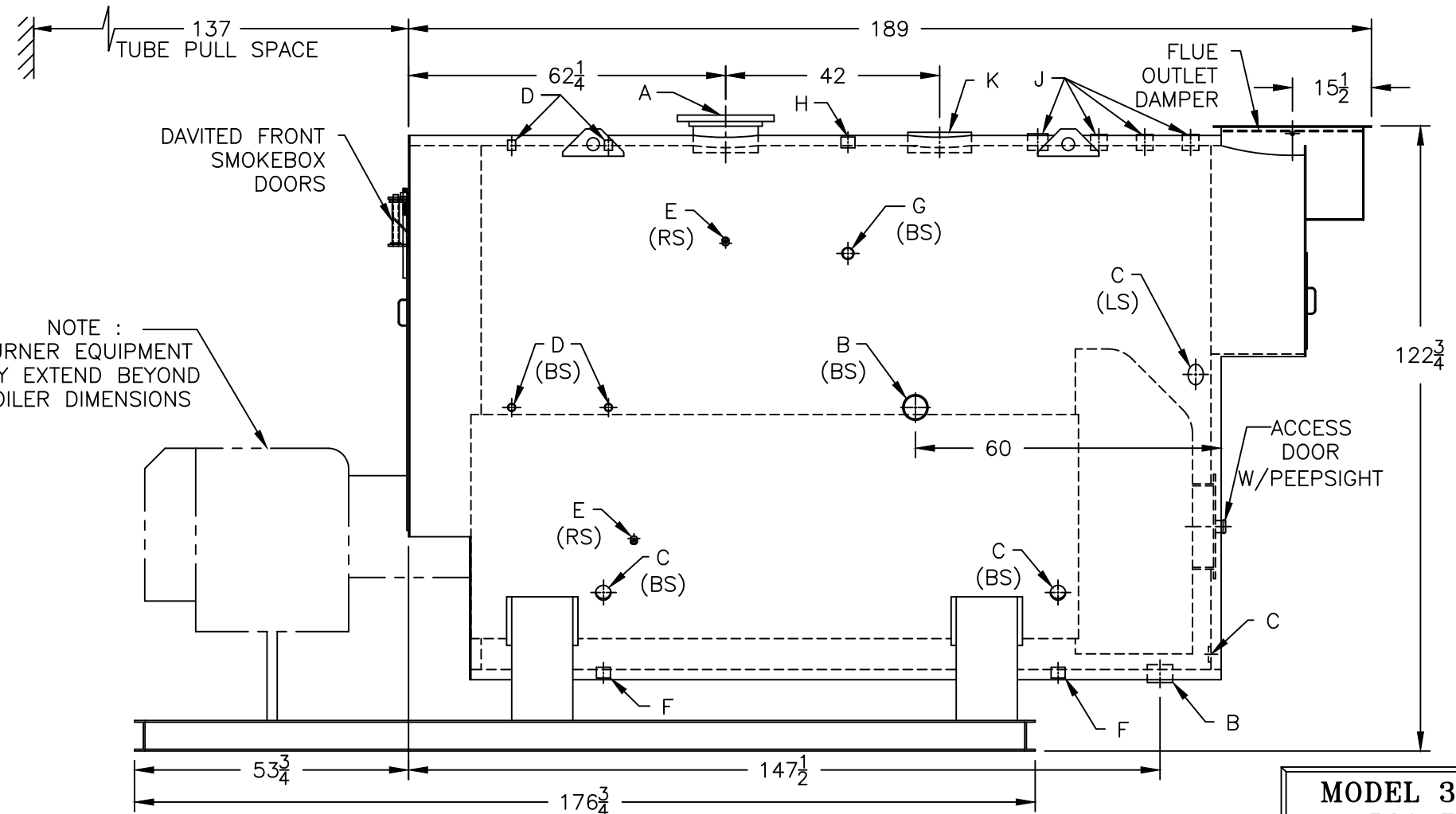
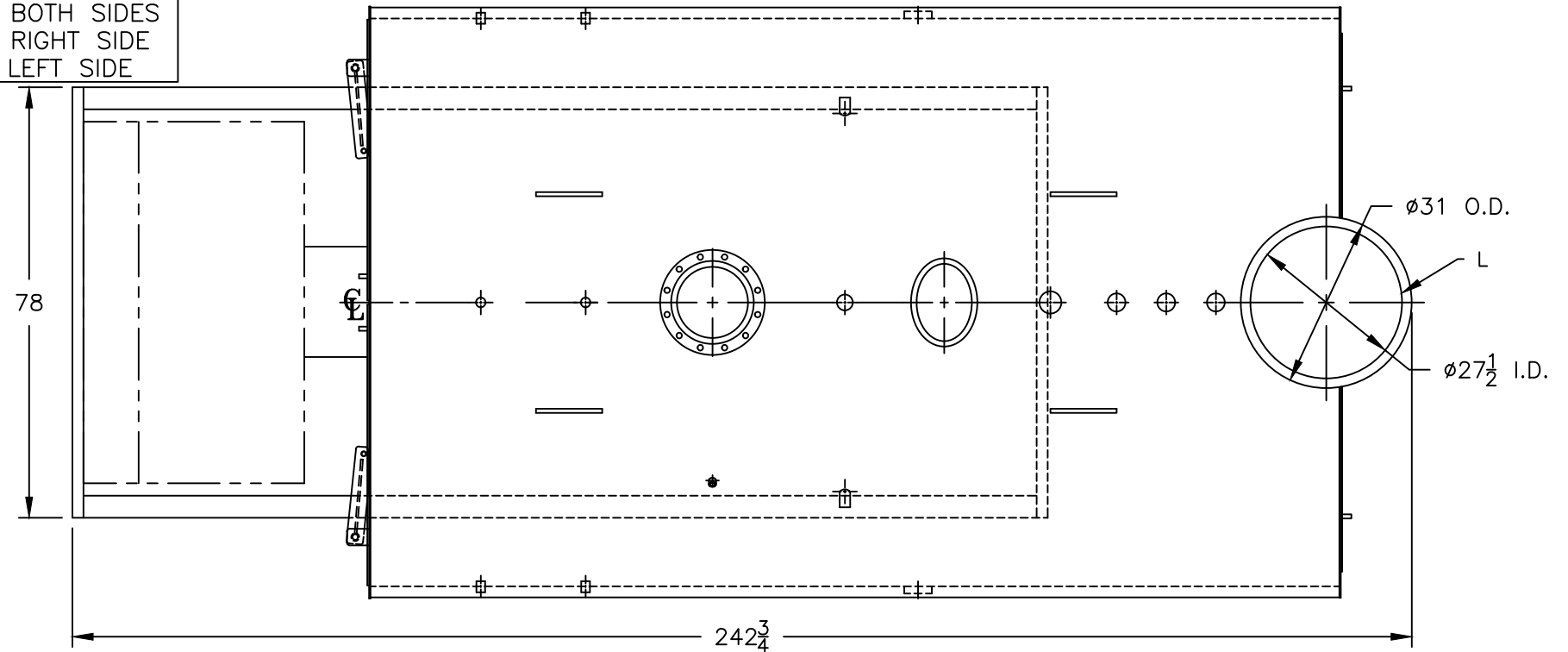
Heating Surface - Sq. Ft.  
 Fireside - 2500  
 Firetubes  
 Number - 362  
 Diameter - 2.5" O.D.

Firing Rate  
 1000 BTU Gas (MBH) - 20922  
 140000 BTU/Gal Oil (GPH) - 143.3  
 150000 BTU/Gal Oil (GPH) - 133.7

Water Content  
 Pounds - 18469  
 Gallons (U.S.) - 2217  
 Approximate Weight/LBS.  
 Dry - 27400  
 Wet - 45869

### LEGEND

BS = BOTH SIDES  
 RS = RIGHT SIDE  
 LS = LEFT SIDE



**MODEL 3L-500**  
**520 BHP**  
**15 PSI STEAM**

**PROJECT: STANDARD BOILER**

SPECIFICATIONS SUBJECT TO CHANGE WITHOUT NOTICE ALL CONNECTIONS ARE THREADED UNLESS OTHERWISE SPECIFIED

THIS DOCUMENT CONTAINS CONFIDENTIAL INFORMATION WHICH IS THE PROPERTY OF BURNHAM COMMERCIAL. THIS DOCUMENT MAY NOT BE REPRODUCED, TRANSFERRED OR USED, OR ITS CONTENTS DISCLOSED, WITHOUT THE WRITTEN PERMISSION OF THE OWNER.