

BURNHAM®

Commercial Boilers

RATINGS AND DATA

Shell Diameter : 54"
 Gross Output - BHP : 82.4
 Gross Output - MBH : 2759
 Gross Output - Lbs/Hr : 2844
 Net Rating - MBH : 2142
 Net Rating - Sq. Ft. : 8925
 Safety Valve - Lbs/Hr. : 3200

Heating Surface - Sq. Ft.
 Fireside - 400
 Firetubes
 Number - 106
 Diameter - 2" O.D.

Firing Rate
 1000 BTU Gas (MBH) - 3348
 140000 BTU/Gal Oil (GPH) - 23.0
 150000 BTU/Gal Oil (GPH) - 21.5

Water Content
 Pounds - 3815
 Gallons (U.S.) - 457
 Approximate Weight/LBS.
 Dry - 5900
 Wet - 9715

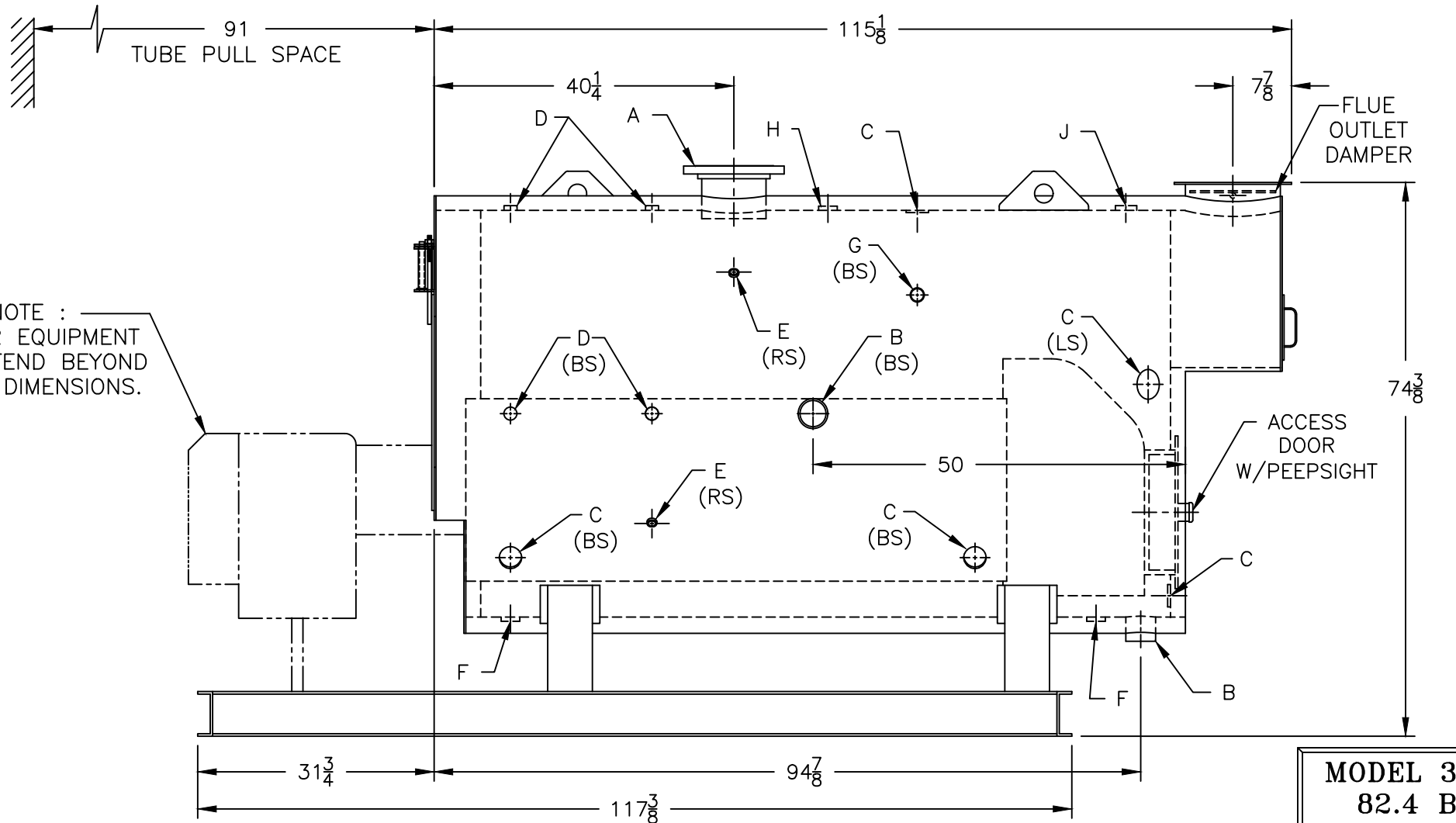
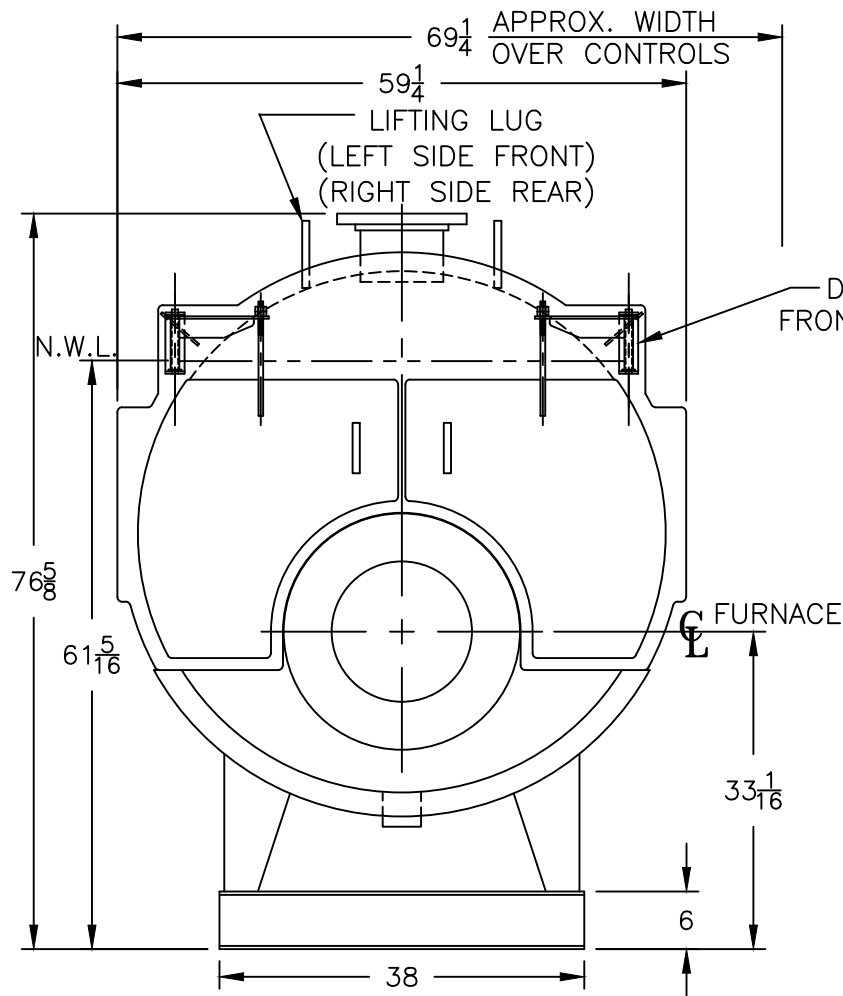
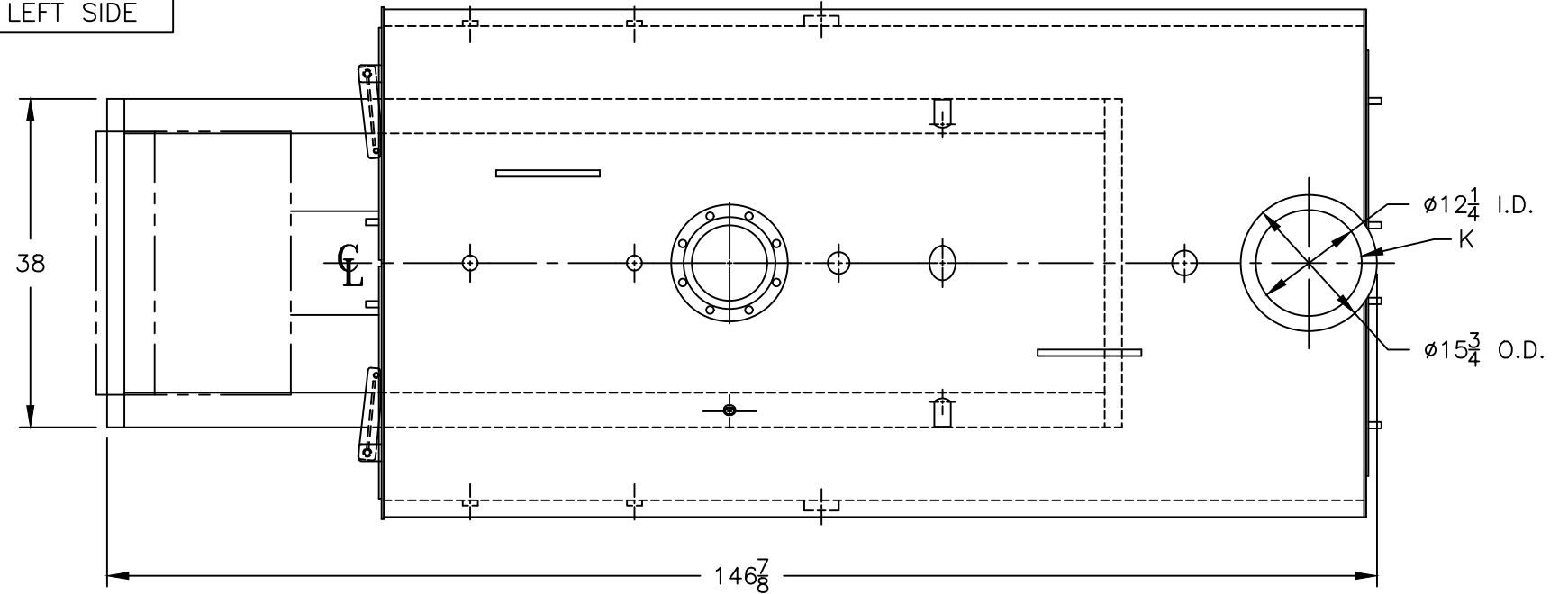
LEGEND

BS = BOTH SIDES
 RS = RIGHT SIDE
 LS = LEFT SIDE

LEGEND CONNECTIONS

- A = 8" FLANGED SUPPLY (150#)
- B = 3" RETURN
- C = 3" x 4" HANDHOLE
- D = 1" WATER COLUMN
- E = 3/4" AQUASTAT
- F = 1-1/2" BOTTOM BLOWDOWN
- G = 1-1/2" SURFACE BLOWOFF
- H = 1-1/2" AUXILIARY CONNECTION
- J = 2-1/2" SAFETY VALVE
- K = 12" NOMINAL FLUE DIAMETER

PROJECT: STANDARD BOILER



NOTE :
 BURNER EQUIPMENT
 MAY EXTEND BEYOND
 BOILER DIMENSIONS.

MODEL 3L-80
82.4 BHP
15 PSI STEAM