

BURNHAM®

Commercial Boilers

RATINGS AND DATA

Shell Diameter : 114"
 Gross Output - BHP : 900
 Gross Output - MBH : 30128
 Gross Output - Lbs/Hr : 31050
 Net Rating - MBH : 23391
 Net Rating - Sq. Ft. : 97462
 Safety Valve - Lbs/Hr. : 36000

Heating Surface - Sq. Ft.
 Fireside - 4500
 Firetubes
 Number - 410
 Diameter - 2.5" O.D.

Firing Rate
 1000 BTU Gas (MBH) - 37659
 140000 BTU/Gal Oil (GPH) - 269.0
 150000 BTU/Gal Oil (GPH) - 251.1

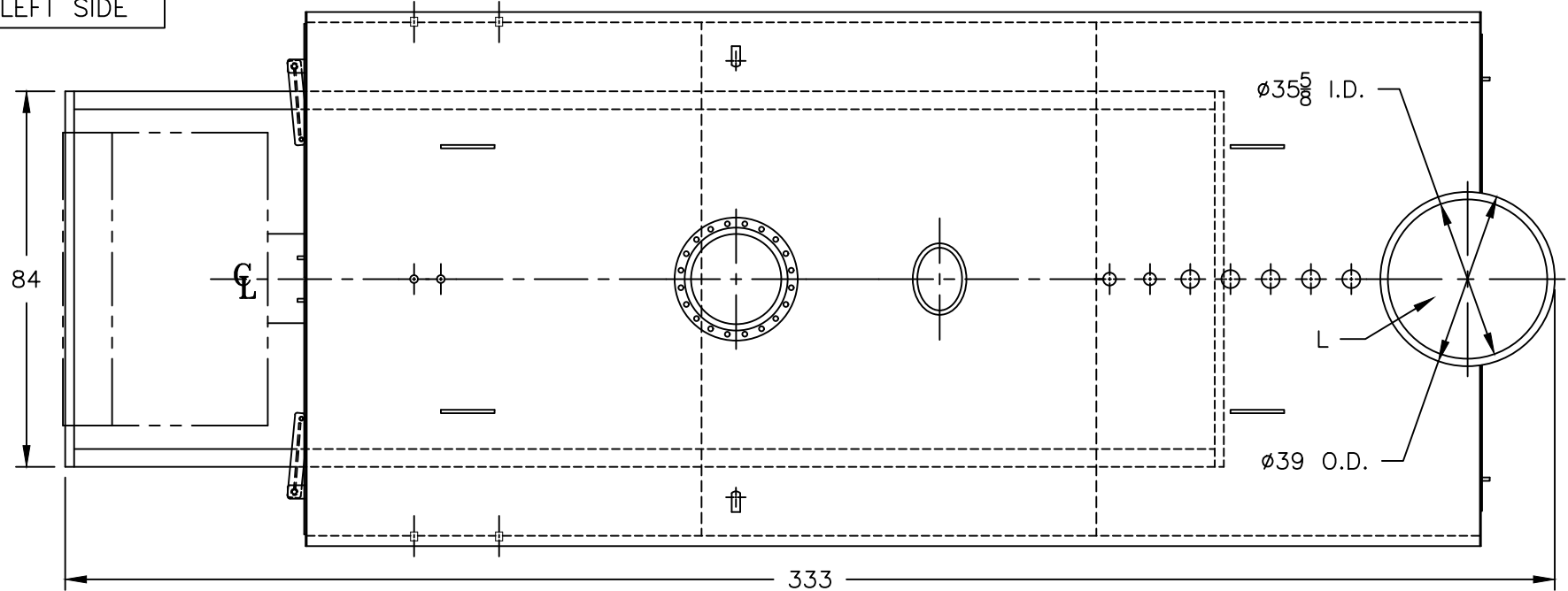
Water Content
 Pounds - 35100
 Gallons (U.S.) - 4208
 Approximate Weight/LBS.
 Dry - 47800
 Wet - 82900

LEGEND

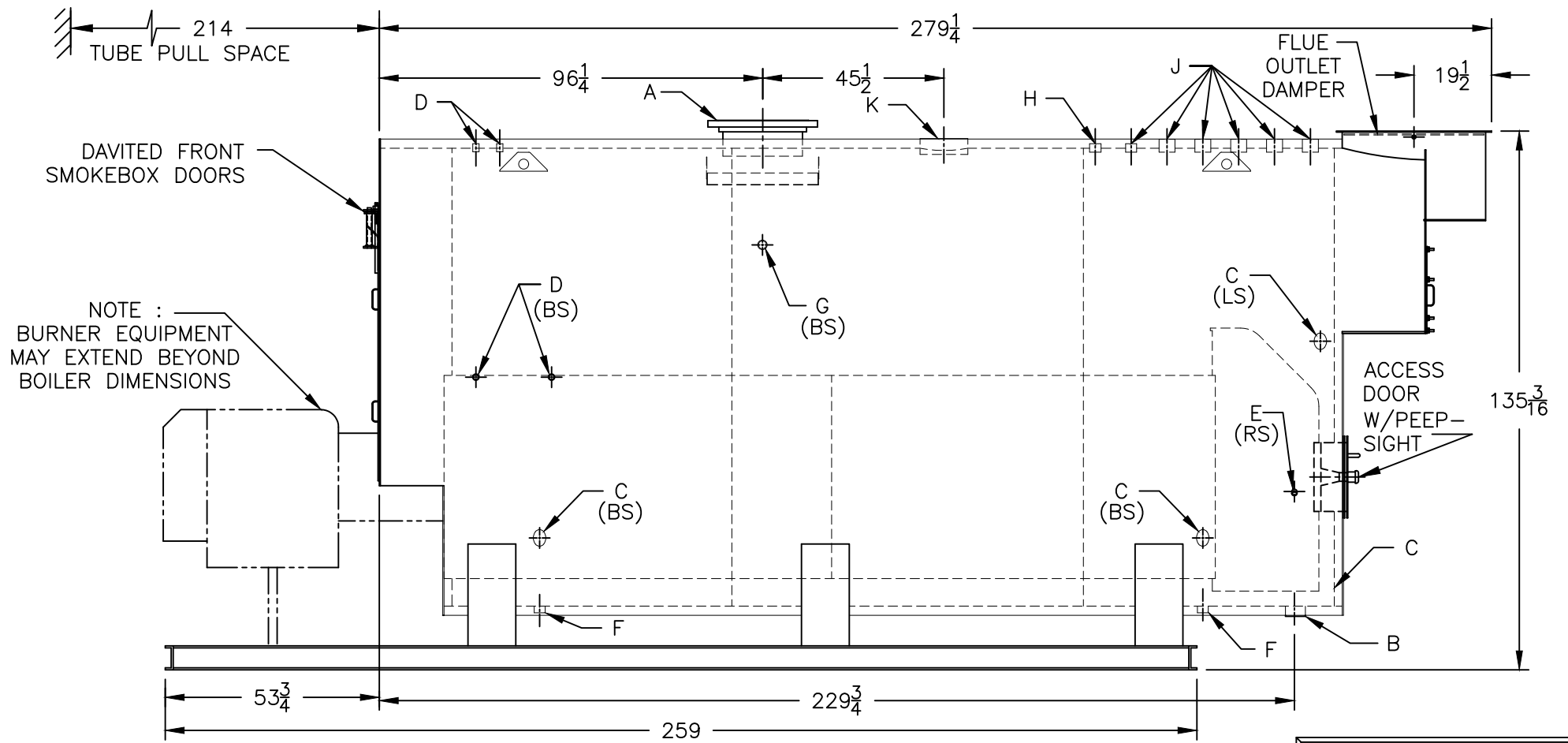
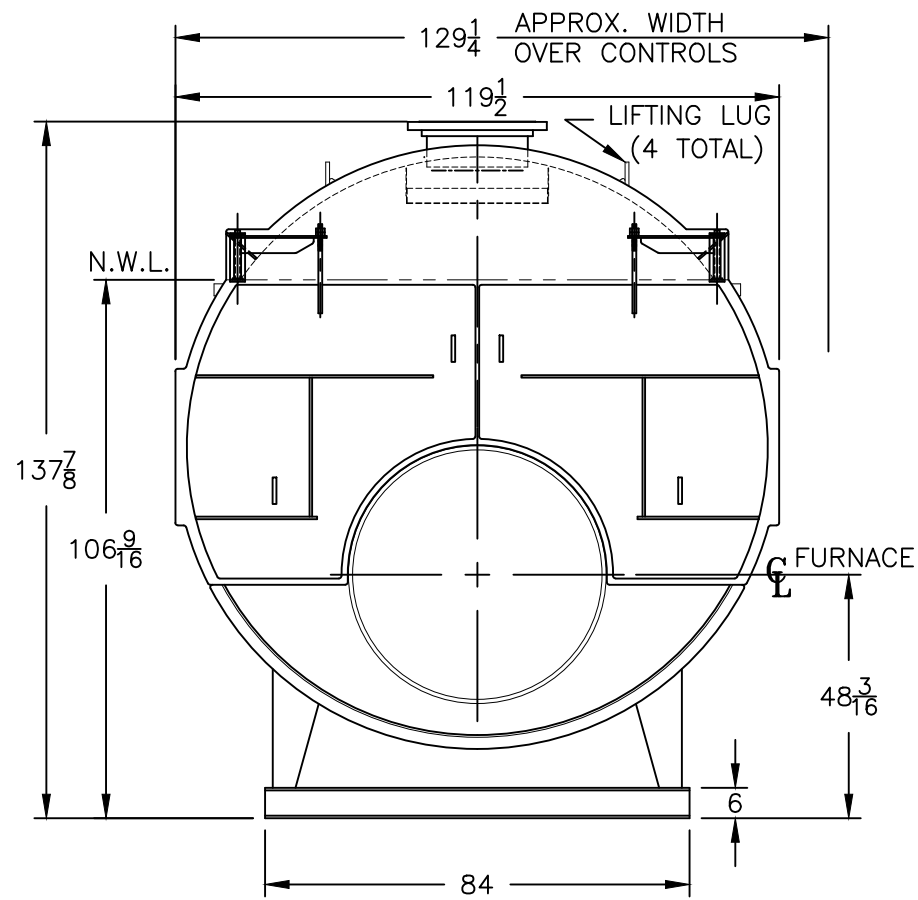
BS = BOTH SIDES
 RS = RIGHT SIDE
 LS = LEFT SIDE

LEGEND CONNECTIONS

A = 20" FLANGED SUPPLY (150#)
 B = 4" RETURN
 C = 3" x 4" HANDHOLE
 D = 1" WATER COLUMN
 E = 3/4" AQUASTAT
 F = 2" BOTTOM BLOWDOWN
 G = 2" SURFACE BLOWOFF
 H = 2" AUXILIARY CONNECTION
 J = 3" SAFETY VALVE (5)
 2" SAFETY VALVE (1)
 K = 12" x 16" MANHOLE
 L = 36" NOMINAL FLUE DIAMETER



PROJECT: STANDARD BOILER



MODEL 3L-900
900 BHP
15 PSI STEAM

SPECIFICATIONS SUBJECT TO CHANGE WITHOUT NOTICE ALL CONNECTIONS ARE THREADED UNLESS OTHERWISE SPECIFIED

THIS DOCUMENT CONTAINS CONFIDENTIAL INFORMATION WHICH IS THE PROPERTY OF BURNHAM COMMERCIAL. THIS DOCUMENT MAY NOT BE REPRODUCED, TRANSFERRED OR USED, OR ITS CONTENTS DISCLOSED, WITHOUT THE WRITTEN PERMISSION OF THE OWNER.