

# BURNHAM®

## Commercial Boilers

### LEGEND CONNECTIONS

- A = 12" FLANGED SUPPLY (300#)
- B = 2-1/2" RETURN
- C = 3" x 4" HANDHOLE
- D = 1" WATER COLUMN
- E = 3/4" AQUASTAT
- F = 2" BOTTOM BLOWDOWN
- G = 2" SURFACE BLOWOFF
- H = 2" AUXILIARY CONNECTION
- J = 3" SAFETY VALVE (4)
- K = 12" x 16" MANHOLE
- L = 36" NOMINAL FLUE DIAMETER

### RATINGS AND DATA

Shell Diameter : 114"  
 Gross Output - BHP : 1000  
 Gross Output - MBH : 33475  
 Gross Output - Lbs/Hr : 34500  
 Net Rating - MBH : 25990  
 Net Rating - Sq. Ft. : 108291  
 Safety Valve - Lbs/Hr. : 39052

Heating Surface - Sq. Ft.  
 Fireside - 5000  
 Firetubes  
 Number - 410  
 Diameter - 2.5" O.D.

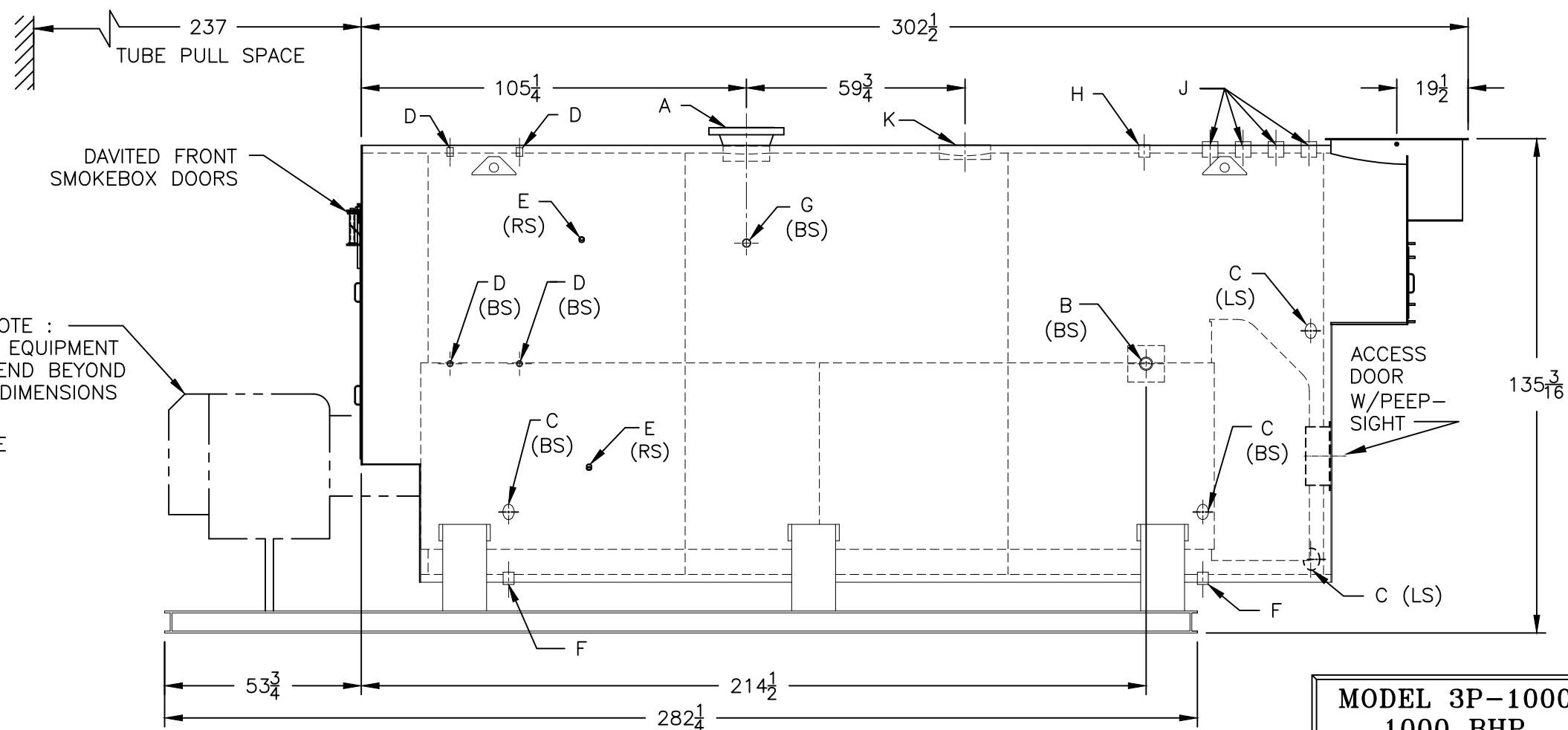
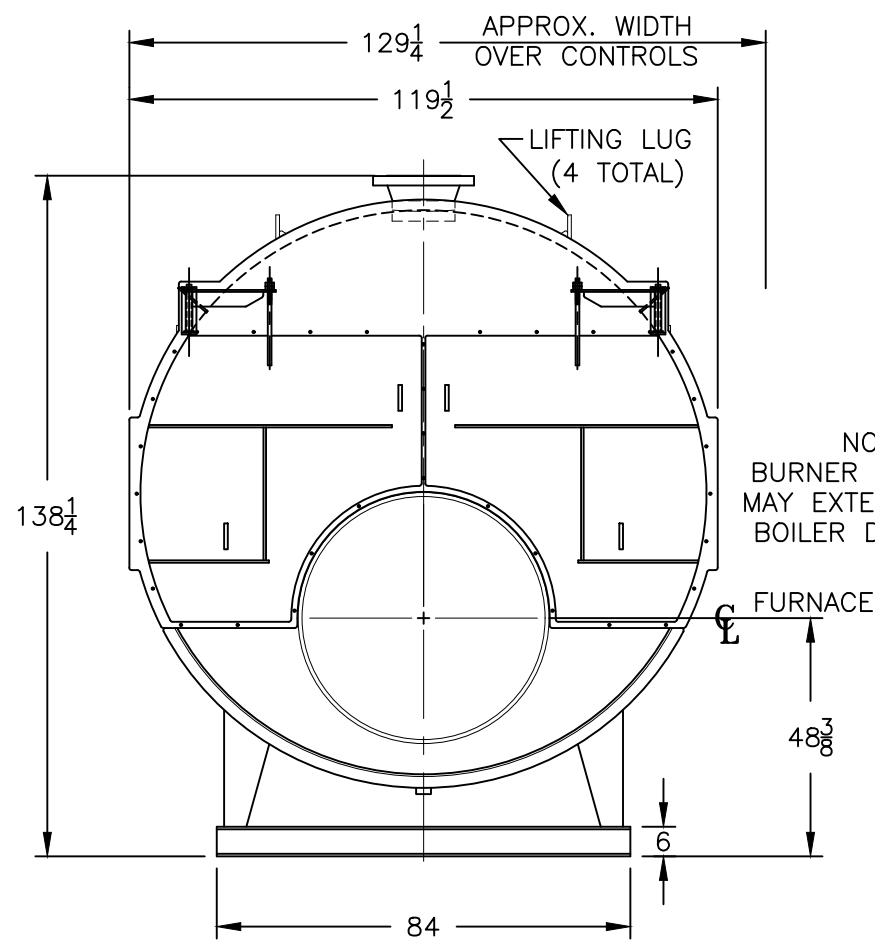
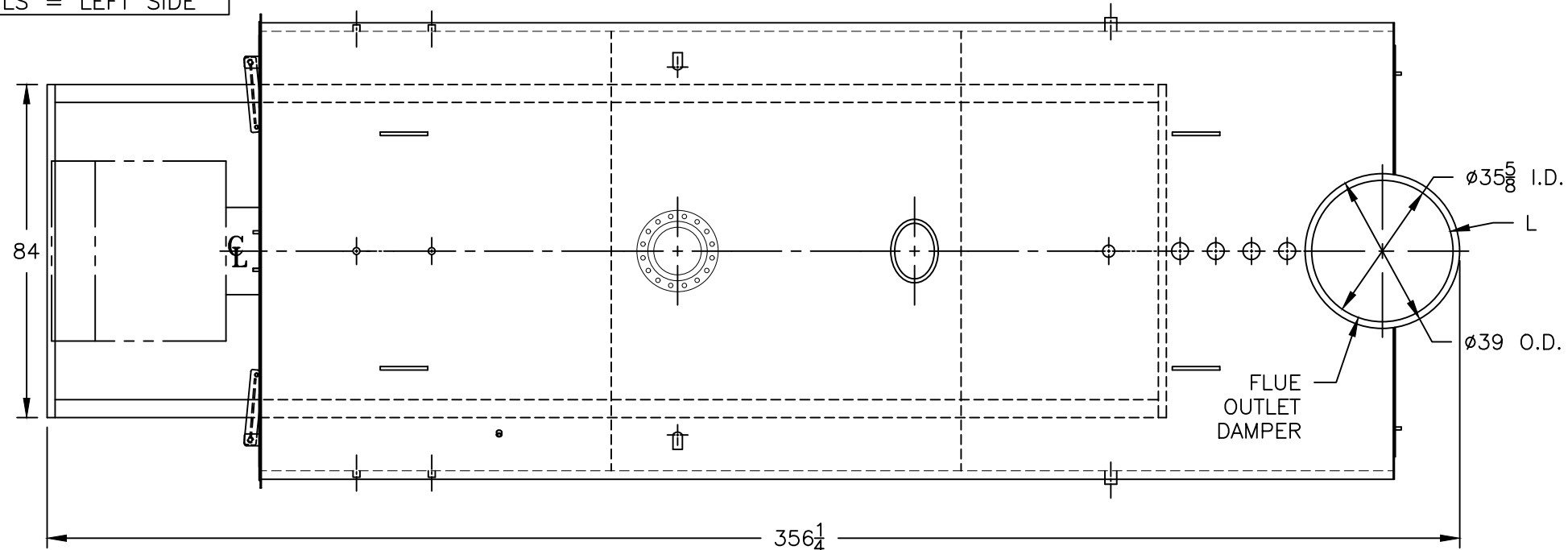
Firing Rate  
 1000 BTU Gas (MBH) - 41844  
 140000 BTU/Gal Oil (GPH) - 298.9  
 150000 BTU/Gal Oil (GPH) - 279.0

Water Content  
 Pounds - 40416  
 Gallons (U.S.) - 4852  
 Approximate Weight/LBS.  
 Dry - 61640  
 Wet - 102056

### LEGEND

- BS = BOTH SIDES
- RS = RIGHT SIDE
- LS = LEFT SIDE

### PROJECT: STANDARD BOILER



NOTE :  
 BURNER EQUIPMENT  
 MAY EXTEND BEYOND  
 BOILER DIMENSIONS

**MODEL 3P-1000**  
**1000 BHP**  
**150 PSI STEAM**

SPECIFICATIONS SUBJECT TO CHANGE WITHOUT NOTICE ALL CONNECTIONS ARE THREADED UNLESS OTHERWISE SPECIFIED

THIS DOCUMENT CONTAINS CONFIDENTIAL INFORMATION WHICH IS THE PROPERTY OF BURNHAM COMMERCIAL. THIS DOCUMENT MAY NOT BE REPRODUCED, TRANSFERRED OR USED, OR ITS CONTENTS DISCLOSED, WITHOUT THE WRITTEN PERMISSION OF THE OWNER.